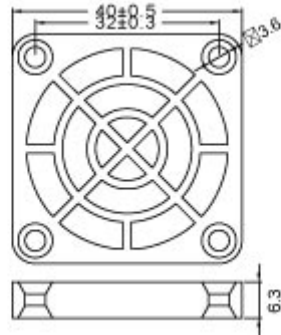


- This plastic fan filter kits are technically designed for the removal of dust.
- Very simple and quick installation.
- Maintenance is very simple, the guard portion and cooling fan do not need to be removed.
- Simply remove the retainer and replace or clean the media, while leaving the guard to ensure complete protection from fan blade.

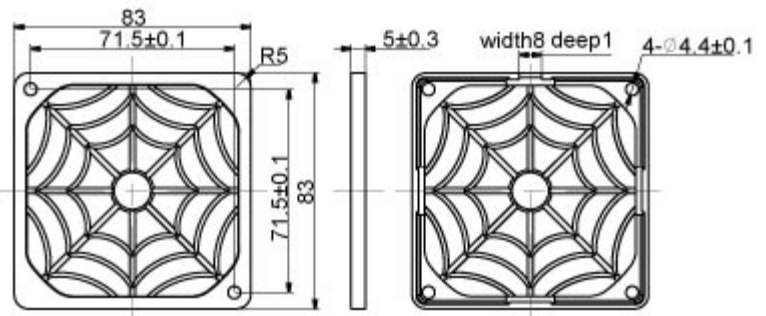
**FGF-40 / P Size : 40 x 40 mm**



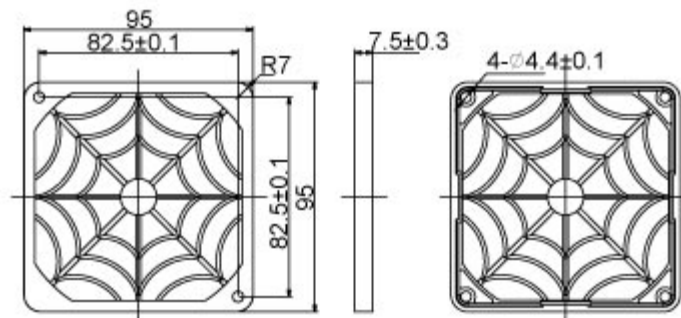
**FGF-60 / P Size : 60 x 60 mm**



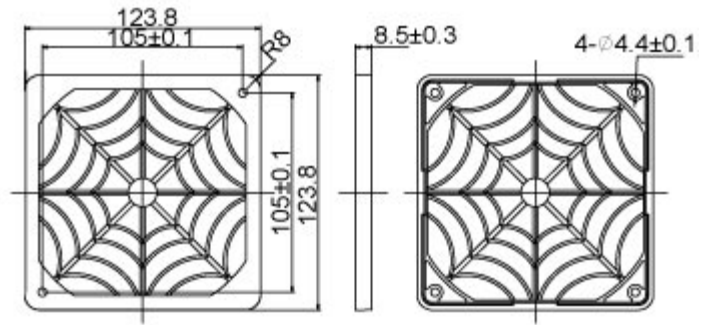
**FGF-80 / P Size : 80 x 80 mm**



**FGF-90 / P Size : 90 x 90 mm**

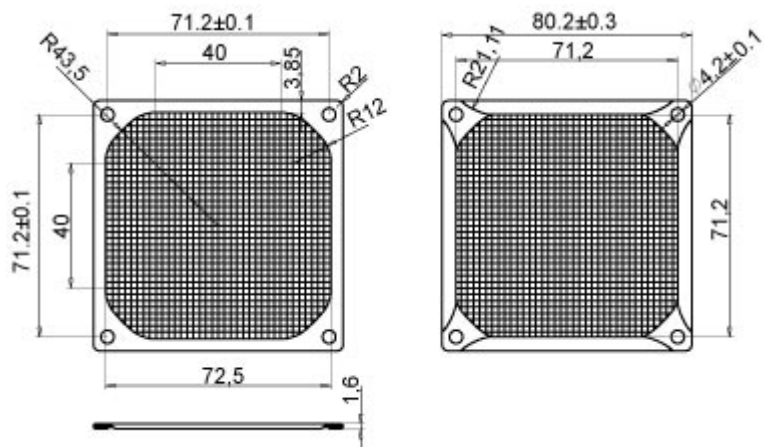


**FGF-120 / P Size : 120 x 120 mm**

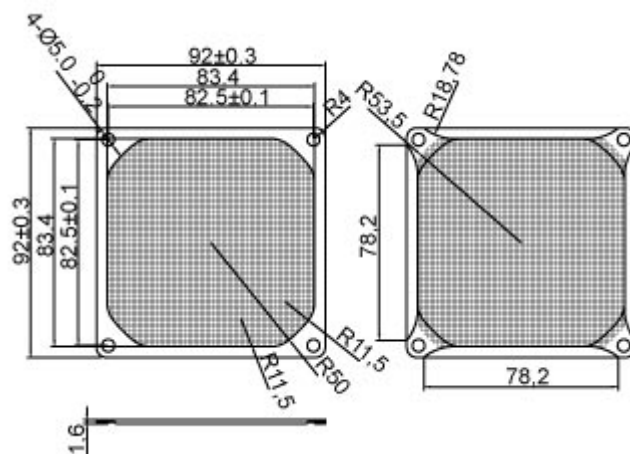


**METAL FILTER**

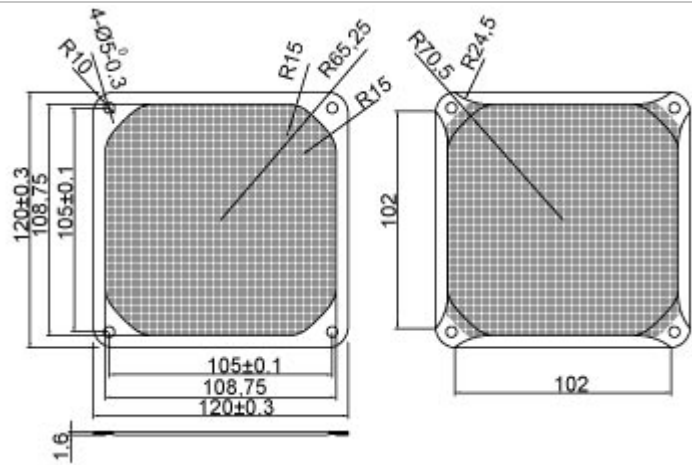
**FGF-80 / M Size : 80 x 80 mm**



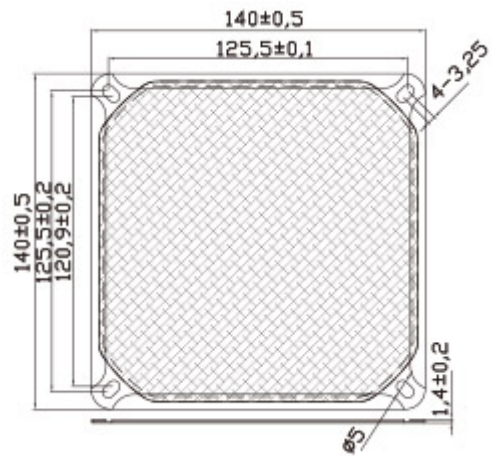
**FGF-90 / M Size : 90 x 90 mm**



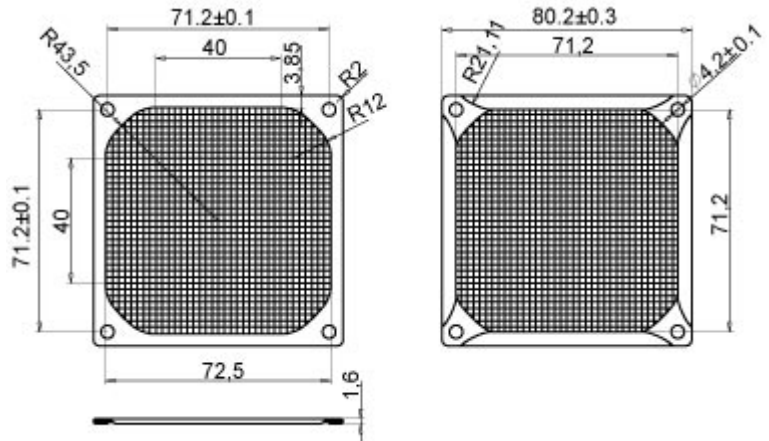
**FGF-120 / M Size : 120 x 120 mm**



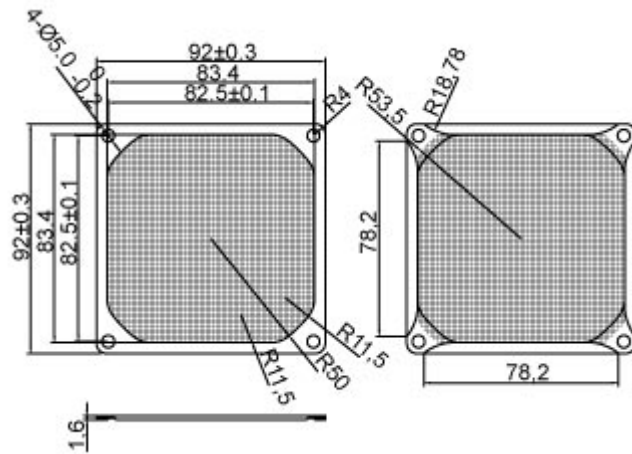
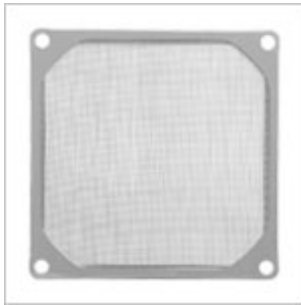
**FGF-140 / M Size : 140 x 140 mm**



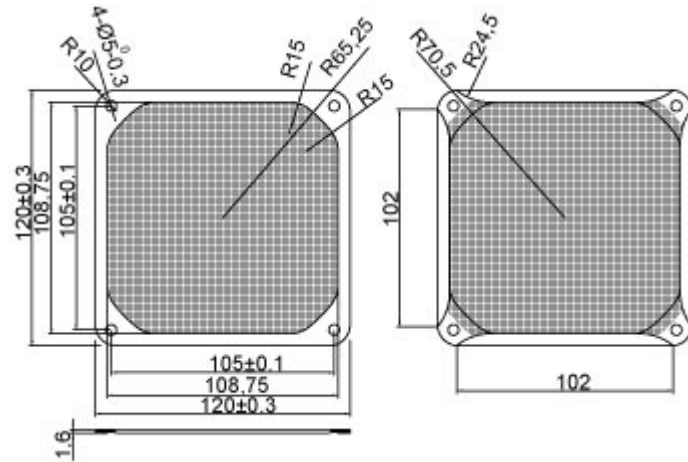
**FGF-80 / M / SL Size : 80 x 80 mm**



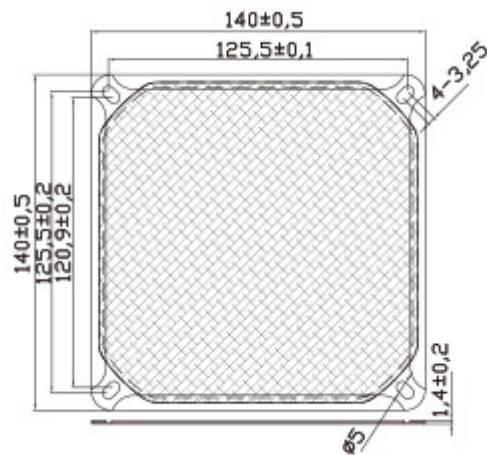
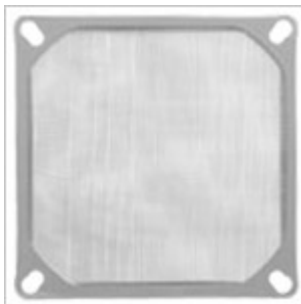
**FGF-90 / M / SL Size : 90 x 90 mm**



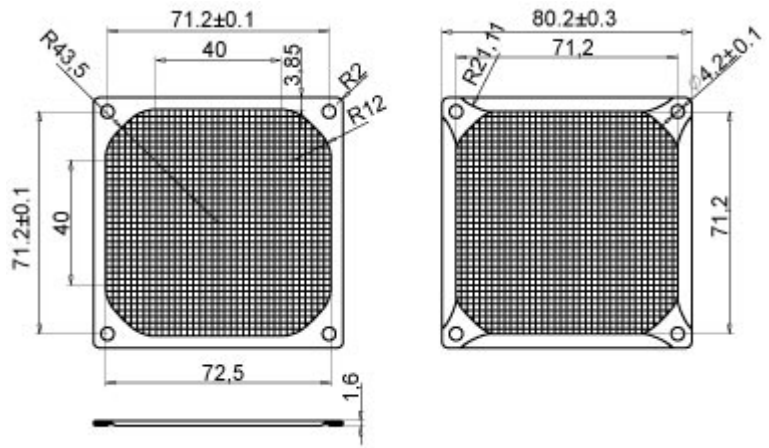
**FGF-120 / M / SL Size : 120 x 120 mm**



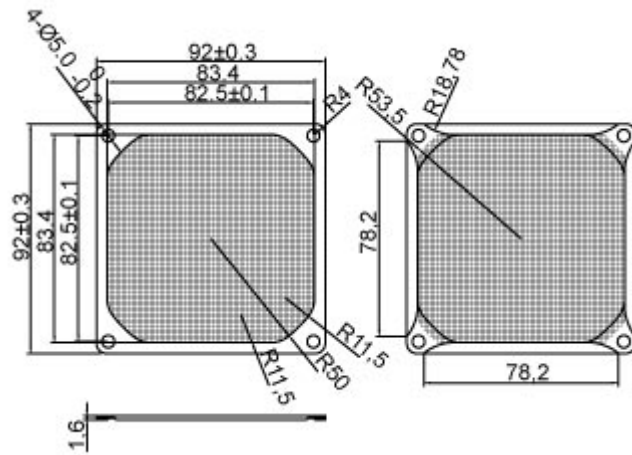
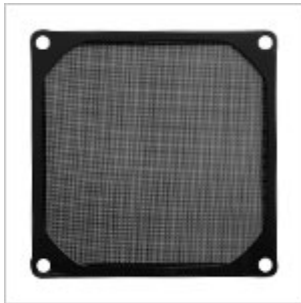
**FGF-140 / M / SL Size : 140 x 140 mm**



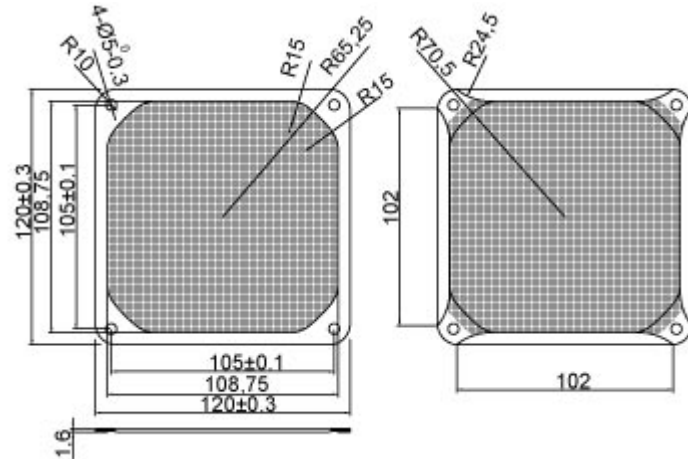
**FGF-80 / M / BK Size : 80 x 80 mm**



**FGF-90 / M / BK Size : 90 x 90 mm**



**FGF-120 / M / BK Size : 120 x 120 mm**



**FGF-140 / M / BK Size : 140 x 140 mm**

