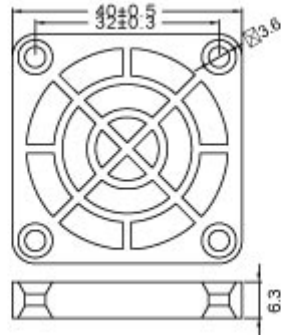
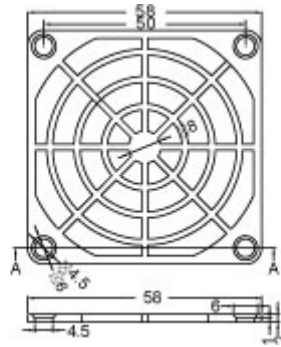


- This plastic fan filter kits are technically designed for the removal of dust.
- Very simple and quick installation.
- Maintenance is very simple, the guard portion and cooling fan do not need to be removed.
- Simply remove the retainer and replace or clean the media, while leaving the guard to ensure complete protection from fan blade.

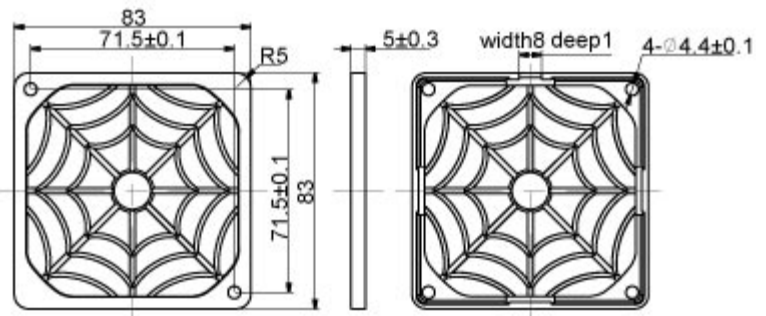
FGF-40 / P Size : 40 x 40 mm



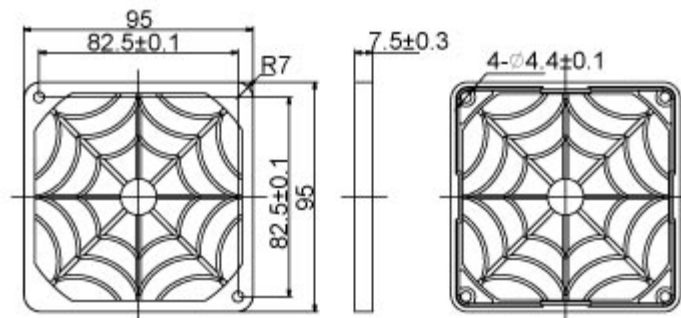
FGF-60 / P Size : 60 x 60 mm



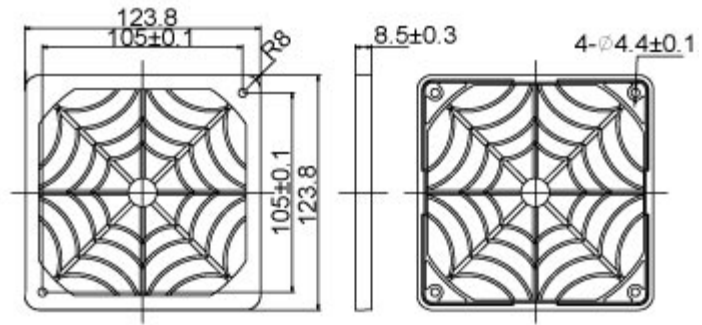
FGF-80 / P Size : 80 x 80 mm



FGF-90 / P Size : 90 x 90 mm

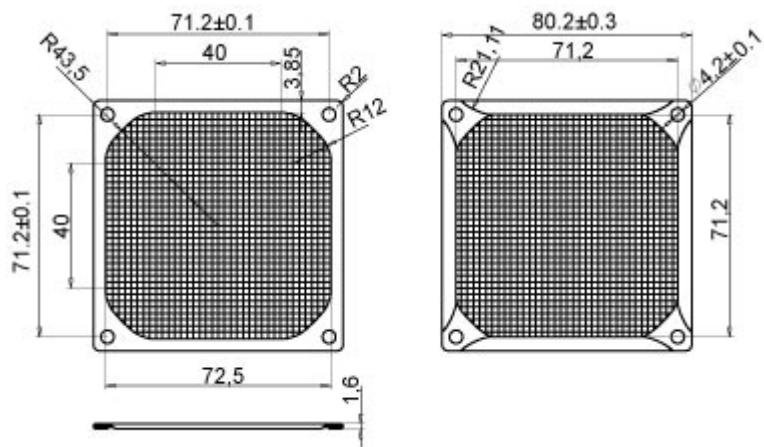


FGF-120 / P Size : 120 x 120 mm

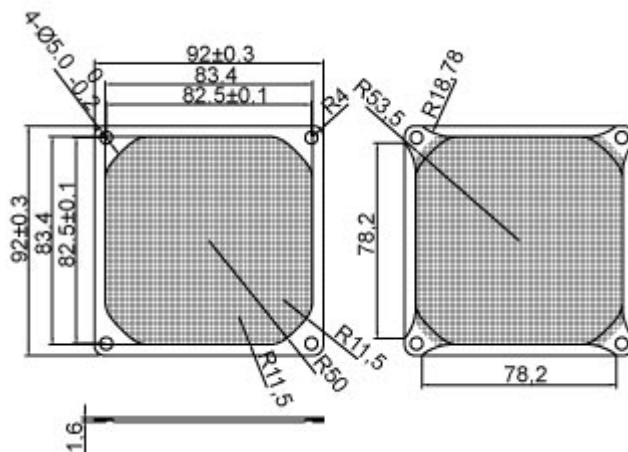


METAL FILTER

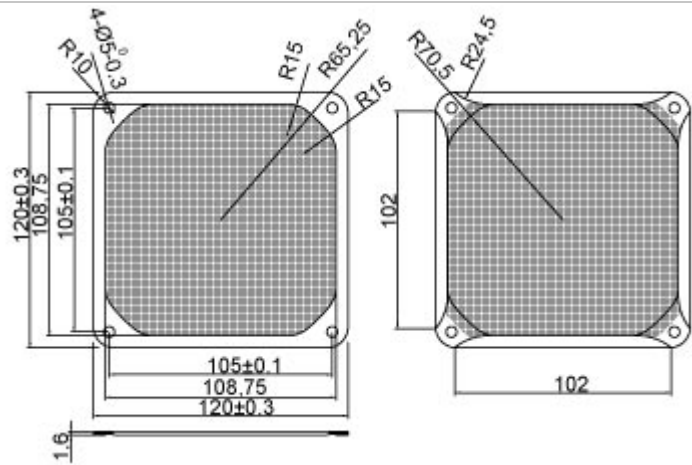
FGF-80 / M Size : 80 x 80 mm



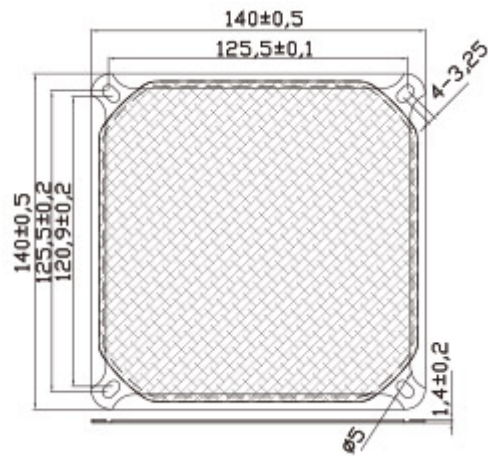
FGF-90 / M Size : 90 x 90 mm



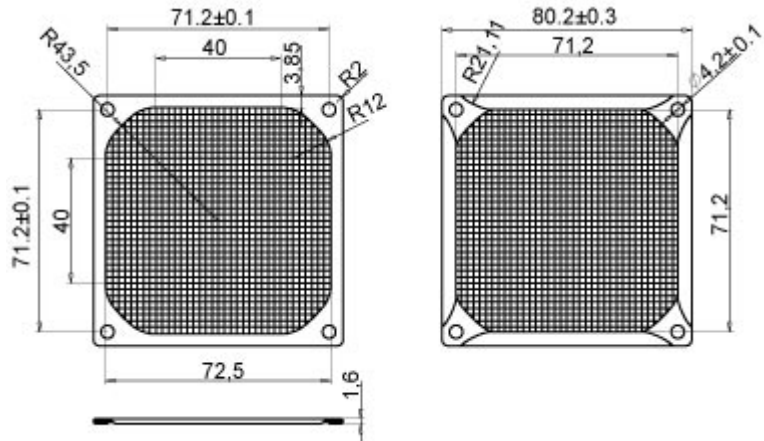
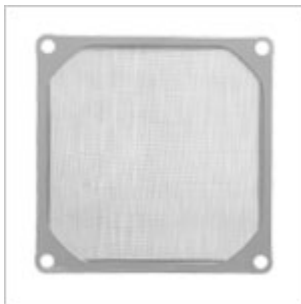
FGF-120 / M Size : 120 x 120 mm



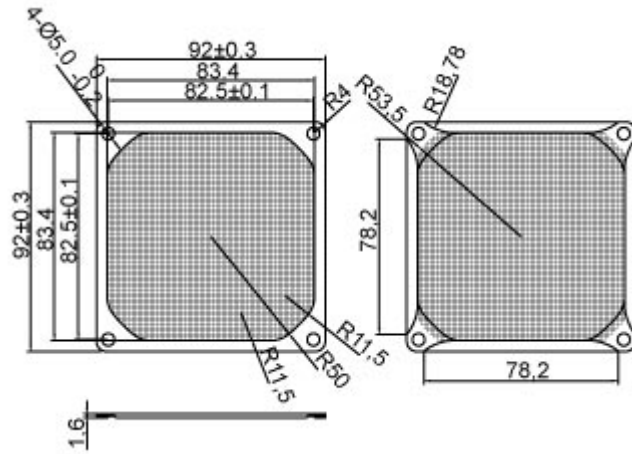
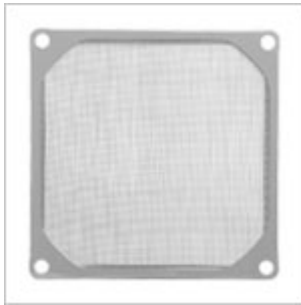
FGF-140 / M Size : 140 x 140 mm



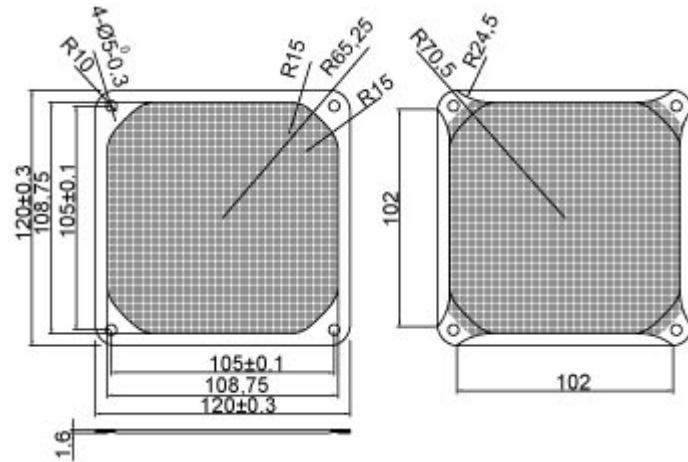
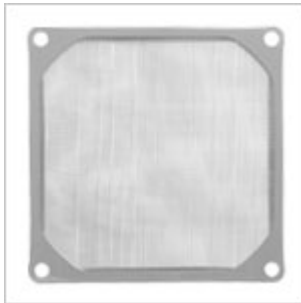
FGF-80 / M / SL Size : 80 x 80 mm



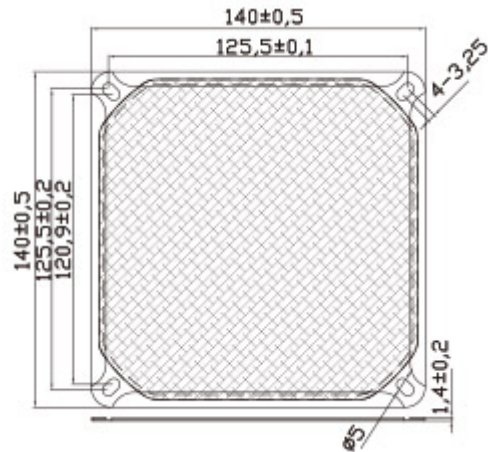
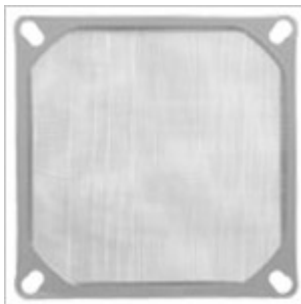
FGF-90 / M / SL Size : 90 x 90 mm



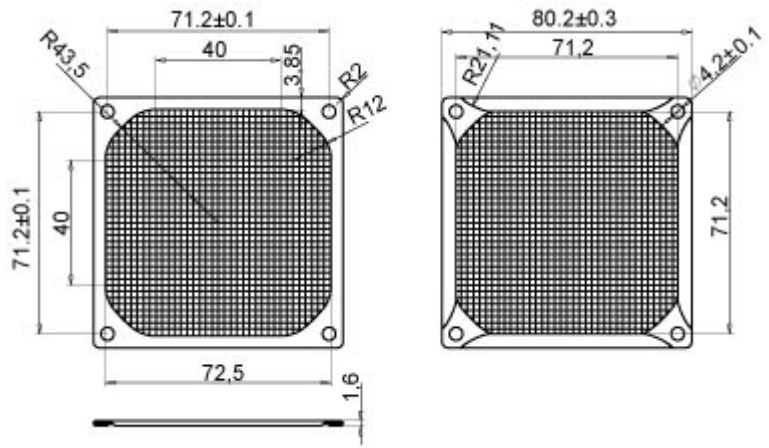
FGF-120 / M / SL Size : 120 x 120 mm



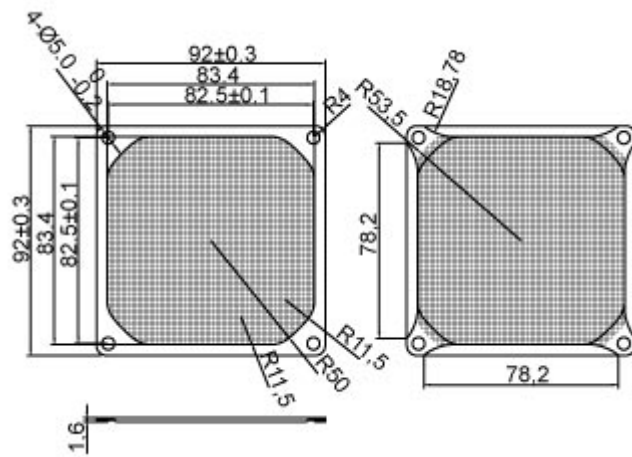
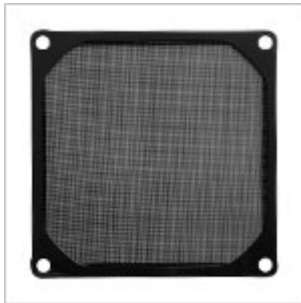
FGF-140 / M / SL Size : 140 x 140 mm



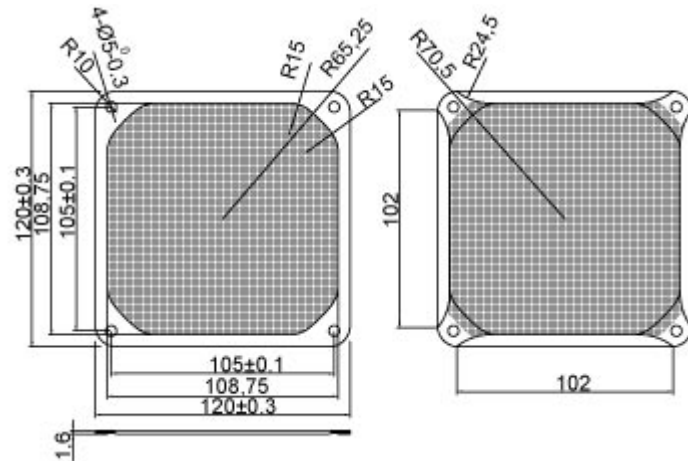
FGF-80 / M / BK Size : 80 x 80 mm



FGF-90 / M / BK Size : 90 x 90 mm



FGF-120 / M / BK Size : 120 x 120 mm



FGF-140 / M / BK Size : 140 x 140 mm

