

PLASTIC OV MODELS

▶ FC V11QF



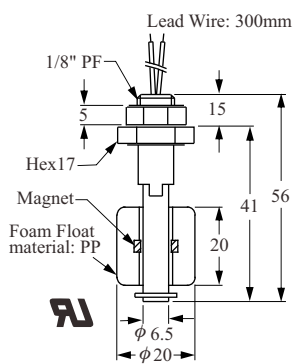
▶ FC V21QD



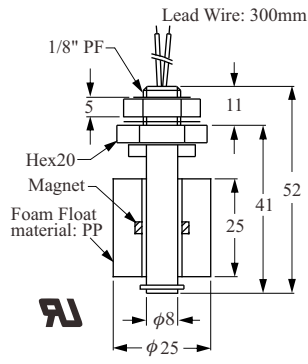
▶ FC V31PD



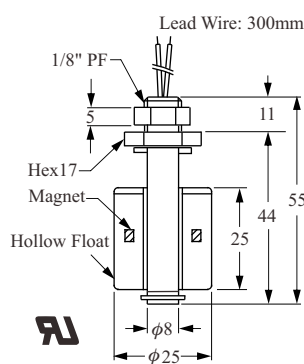
▶ FC V33FD, 34YD, 35GD



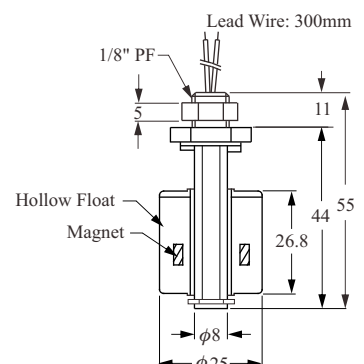
Washer: NBR
Drill hole ϕ 10mm



Washer: NBR
Drill hole ϕ 10mm



O-ring: VITON
Drill hole ϕ 10mm



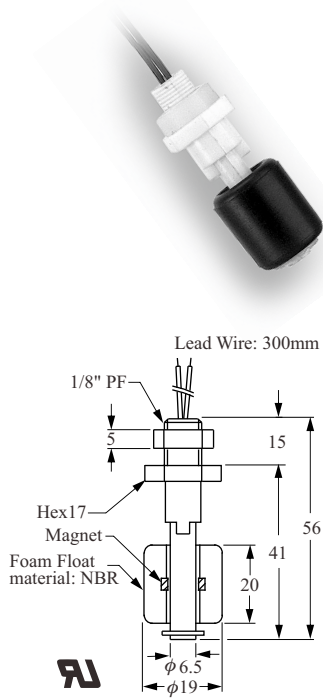
O-ring: VITON
Drill hole ϕ 10mm

■ SPECIFICATIONS

Description \ Type	FC V11QF	FC V21QD	FC V31PD	FC V33FD	FC V34YD	FC V35GD
Switching Capacity Max.	10W SPST	50W SPST	50W SPST			
Switching Voltage Max.	125Vac	240Vac / 200Vdc	240Vac / 200Vdc			
Switching Current Max. (A)	0.5A		0.5A			
Carry Current Max. (A)	1A		1A			
Lead Wire	UL 1007 AWG22 PVC		UL 1007 AWG22 PVC	XLPE AWG22		
Reversible Switch Action	YES/ 80°C down					
Max. Pressure (Kg/cm ²)	ATM		4 kg/cm ²	2 kg/cm ²		
Operating Temperature	-20~80°C		-20~80°C	-20~120°C		
Material	PP		PP	PVDF	Nylon	Polysuphone
Suitable Specific Gravity	0.75	0.7	0.55	0.85	0.8	0.75
Weight (g)	12 g	18 g	12.8 g	18 g	15 g	18 g

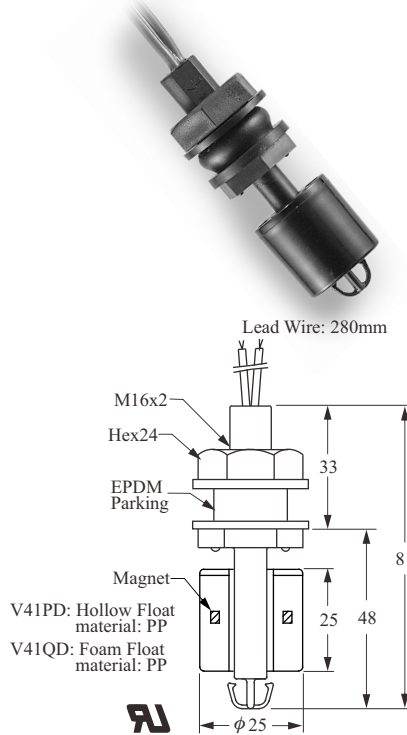
PLASTIC OV MODELS

▶ FC V11NF



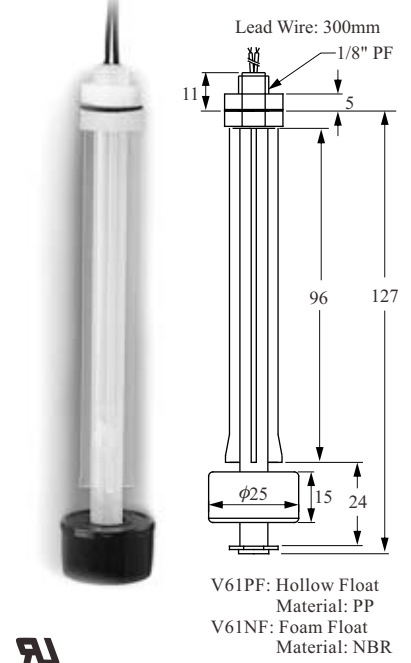
Washer: NBR
Drill hole $\phi 10\text{mm}$

▶ FC V41PD, V41QD



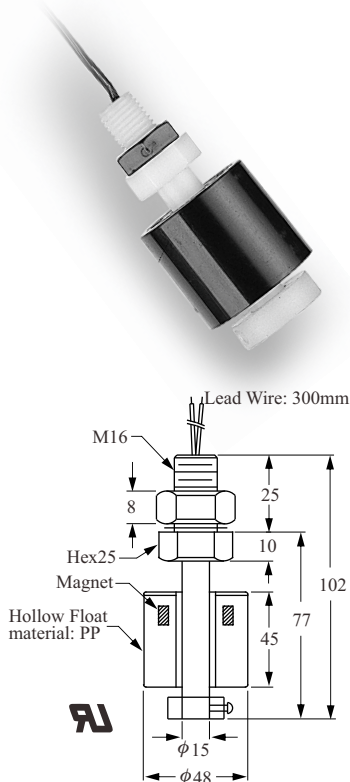
Washer: NBR
Drill hole $\phi 16\text{mm}$

▶ FC V61PF, V61NF



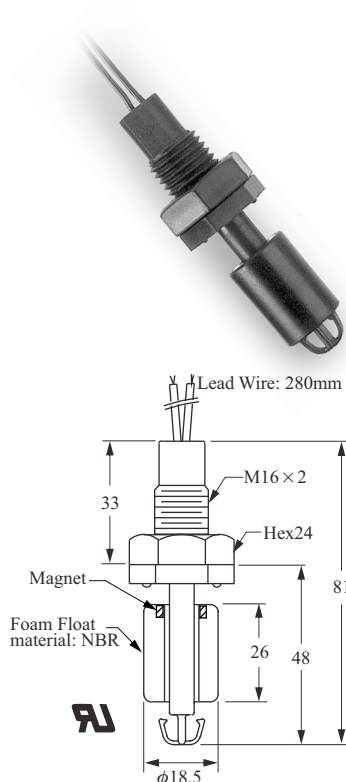
Washer: NBR
Drill hole $\phi 10\text{mm}$

▶ FC V81PD



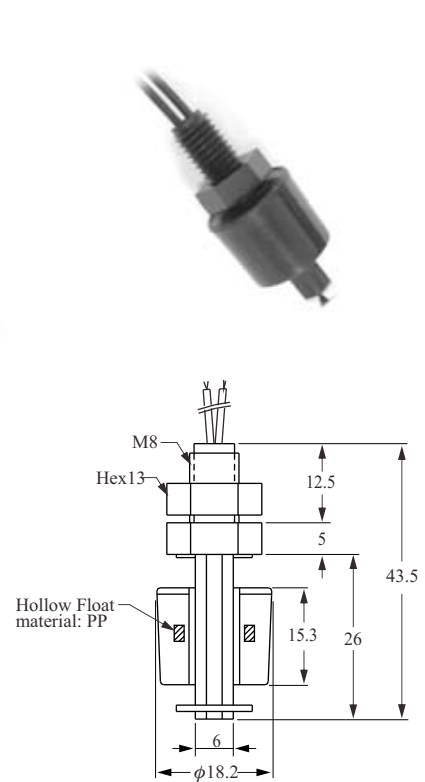
Washer: NBR
Drill hole $\phi 16\text{mm}$

▶ FC V41ND



Washer: NBR
Drill hole $\phi 16\text{mm}$

▶ FC V51PD

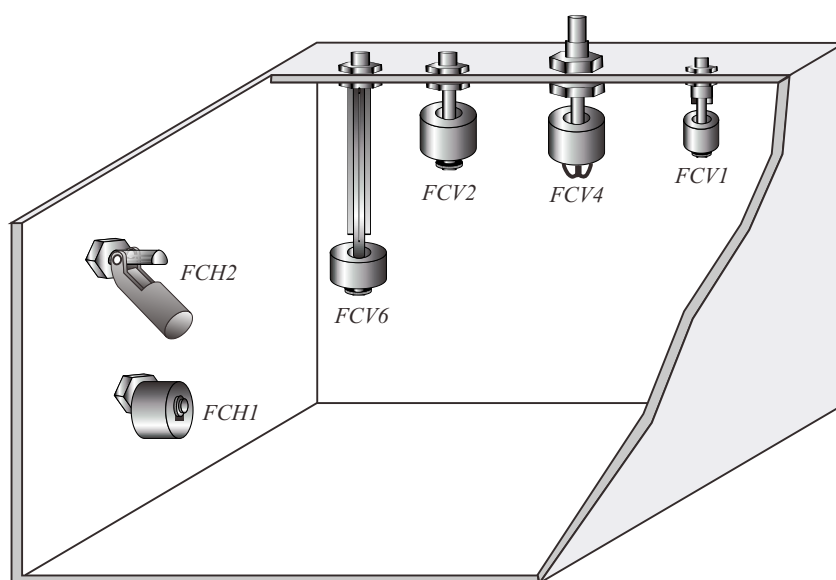


O-Ring: VITON
Drill hole $\phi 8.5\text{mm}$

PLASTIC OV MODELS

■ SPECIFICATIONS

Description \ Type	FC V11NF	FC V61PF FC V61NF	FC V41PD FC V41QD	FC V81PD	FC V41ND	FC V51PD
Switching Capacity Max.	10W SPST		50W SPST			
Switching Voltage Max.	125Vac (Break Down 250Vac)		240Vac / 200Vdc			
Switching Current Max. (A)	0.5A					
Carry Current Max. (A)	1A —					
Lead Wire	XLPE AWG22	UL 1007 AWG22 PVC				
Reversible Switch Action	NO	NO	YES	NO	NO	NO
Max. Pressure (kg/cm ²)	ATM	V61P: 4kg/cm ² V61N: ATM	V41P: 4kg/cm ² V41Q: ATM	4 kg/cm ²	ATM	4 kg/cm ²
Operating Temperature	-20~80°C					80°C
Material	PP (except V11N, V61N, V41N: NBR float)					
Suitable Specific Gravity	0.55	0.65 0.5	0.55 0.7	0.6	0.7	0.8
Weight (g)	11 g	16 g	23 g	180 g	17 g	8.2 g



HOW TO ORDER PLASTIC OH/OV MODELS

FC **V** **2** **3** **F** **D** **A** (**0** **5** **P**)

Order No./ Model _____

FC H1~H6 Side Mounting
FC V1~V9 Top or bottom Mounting


Material of Wetted parts _____

1 : PP **5** : Polysuphone
3 : PVDF **6** : PPS
4 : Nylon

Material of Float _____

F :PVDF **P** :PP (hollow) **K** :PPS
N :NBR **Q** :PP (foam)
G :Polysuphone **Y** : Nylon
(Unsuitable for immersion in water for long persisting periods)

Switching Capacity Max. _____

D : 50W 240Vac /200Vdc SPST 
F : 10W 125Vac SPST
K : 20W 150Vac/200Vdc SPDT

Contact mode _____

A : Normally Open (N.O.) SPST
B : Normally Closed (N.C.) SPST
D : NC Reversible
E : NO Reversible

※FCV11□DD & FCV11□DE are unavailable for reversible option.
※Side mounted types are only available with D mode.

Lead wire Length (Unit=100mm) _____

05: 500mm (below 500mm) ※ 500mm per Unit
10: 1000mm (501~1000) ※ 300mm (Standard length)
15: 1500mm (1001~1500)
⋮

Material of Lead wire _____

B : PVC (80°C) ---- AWG24
C : PVC cable (80°C) ---- AWG22 X φ4
D : XLPVC (105°C) ---- AWG24
F : SILICON cable (150°C) ---- AWG24 X φ4
P : PVC (80°C) ---- AWG22
T : TEFLON (200°C) ---- AWG24
X : XLPE (125°C) ---- AWG22

S : Others ※ For FCH61, cable length could be selected, but material can't.

※ "A" (Normally Open, SPST) is our standard specified switch. For further details about the lead wire please refer pages 6, 7, 9, 10 and 12.