



PRODUCT SPECIFICATION

Model No.: FYL-5013PDB1C01-WG

Descriptions:
<ul style="list-style-type: none"> ■ Emitting Color: Photo diode. ■ Device Outline: Φ5mm round type. ■ Lens Type: Deep blue.



CUSTOMER APPROVED SIGNATURES	APPROVED BY	SALES BY	PREPARED BY
			

NINGBO FORYARD OPTOELECTRONICS CO.,LTD.

Add:No. 666 Jinghua Road, Hi-tech Park, Ningbo, Zhejiang, China

Zip:315103

Tel: 0086-574-87933652 87927870

Fax: 0086-574-87927917

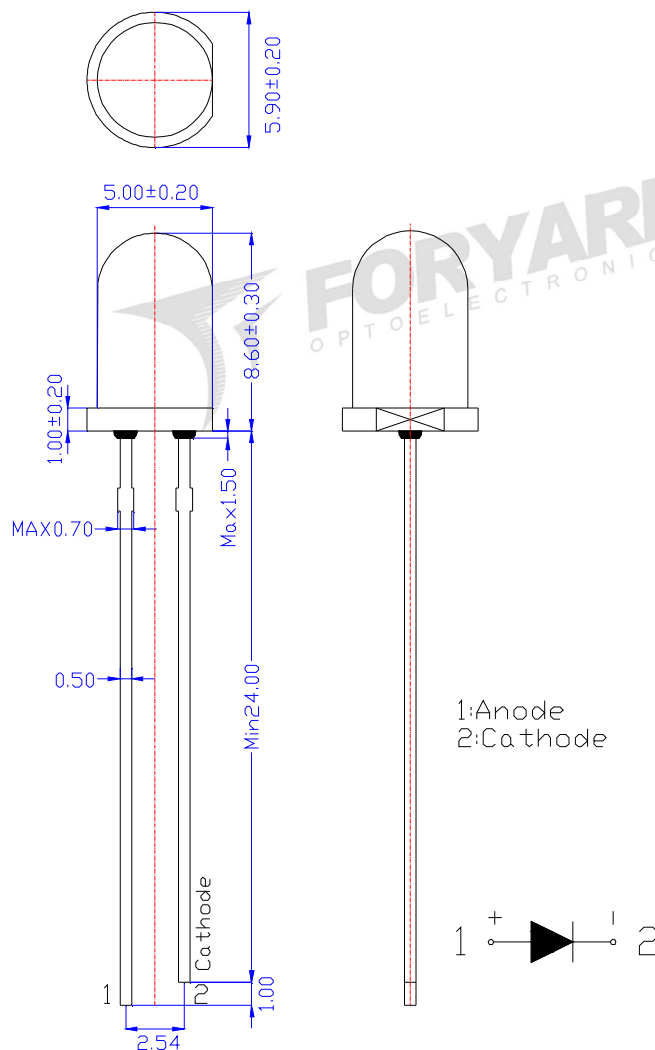
E-mail:Sales@foryard.com (General)

Model No.: FYL-5013PDB1C01-WG

■ Features

- 1.Low power consumption.
- 2.High efficiency.
- 3.General purpose leads.
- 4.High intensity.
- 5.RoHs compliant.

■ Package configuration



Notes:

1. All dimensions are millimeters (inches)
2. Tolerance is $\pm 0.25\text{mm} (.010")$ unless otherwise noted.
3. The specifications, characteristics and technical data described in the datasheet are subject to change without prior notice.
4. The drawing is different from the actual one, please refer to the sample.

Model No.: FYL-5013PDB1C01-WG

■ Absolute Maximun Ratings(Ta=25°C)

Parameter	Symbol	Ratings	Unit
Power Dissipation	Pd	150	mW
Reverse Breakdown Voltage	V _{BR}	32	V
Operating Temperature	T _{opr}	-25~85	°C
Storage Temperature	T _{str}	-40~100	°C
Lead Soldering Temperature,2mm form body for 5 seconds	Tsol	260	°C

■ Typical Electrical &Optical Charcteristics(Ta=25°C)

Parameter	Symbol	Min.	Typ.	Max.	Test Condition	Unit
Open-Circuit Voltage	Voc	---	0.44	---	λ _p =940nm Ee=5mW/cm ²	V
Peak Sensing Wavelength	Isc	---	10	---	λ _p =940nm Ee=1mW/cm ²	μA
Light Current	I _L	10	--	--	λ _p =940nm V _R =5V Ee=1mW/cm ²	μA
Rise Time	t _D	---	--	10	V _R =10V Ee=0mW/cm ²	nA
Fall Time	t _r	---	10	--	VR=10V R _L =1000Ω	ns
Reverse Dark Current	t _r	---	10	--		
Juncition Capacitance	B _{VR}	32	170	--	Ee=0mW/cm ² IR=100μA	V
Total Capacitance	Ct	---	10	--	Ee=0mW/cm ² VR=5V f=1MHZ	PF
Rang of Spectral Bandwidth	λ _{0.5}	840	--	1100	--	nm
Wavelength of Peak Sensitivity	λ _p	---	940	--	--	nm

Note:

- 1.Luminous Intensity is based on the Foryard standards.
- 2.Pay attention about static for InGaN

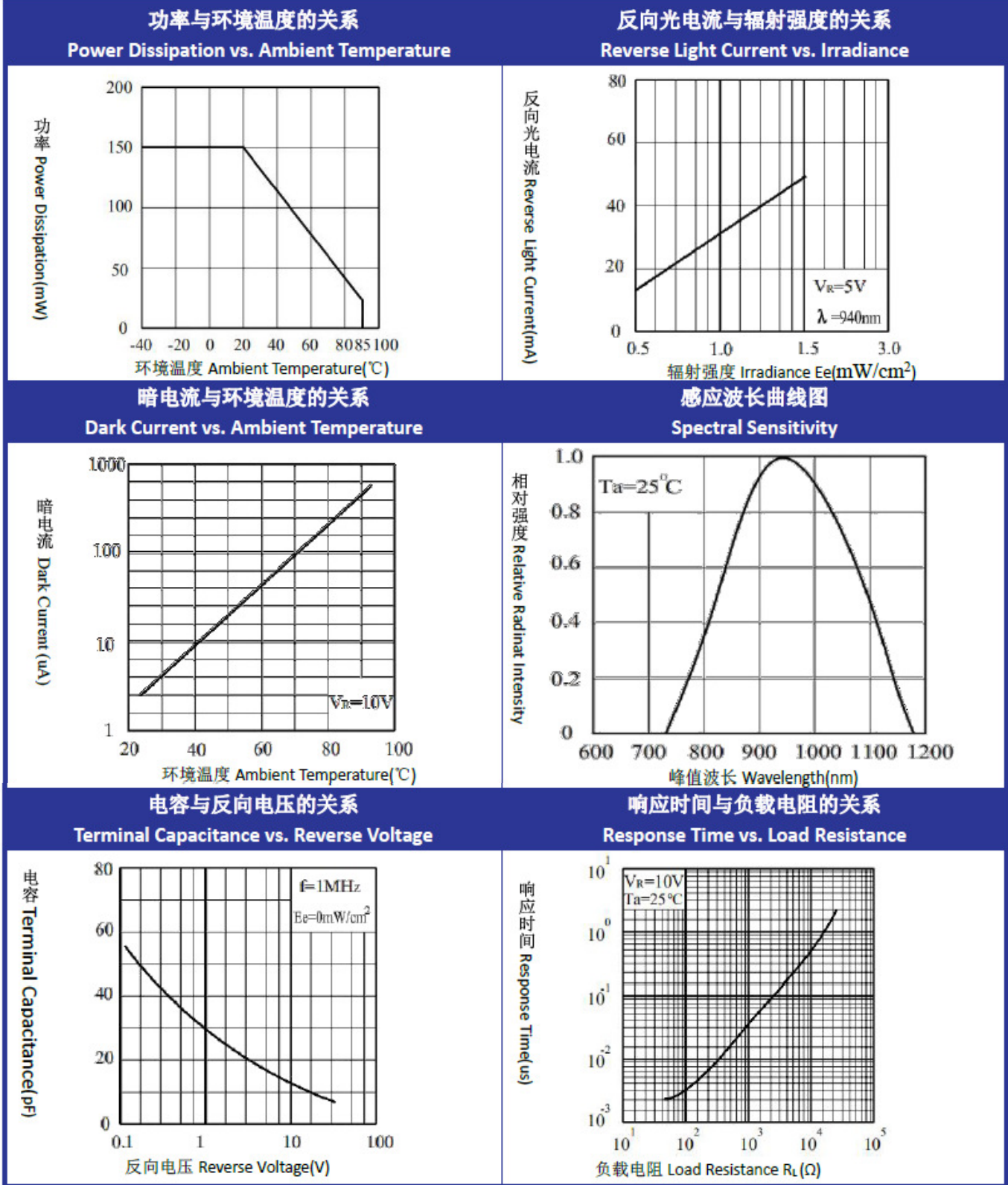
■ Rank

Code	BIN1	BIN2	BIN3	BIN4
Light Current(μA)	10~20	18~30	25~40	35~40

λP=940nm VR=5V Ee=1mW/cm²

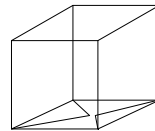
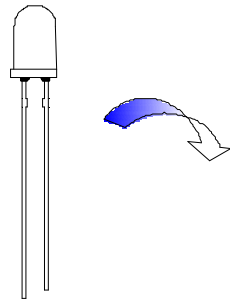
Model No.: FYL-5013PDB1C01-WG

Typical Electro-Optical Characteristics Curves

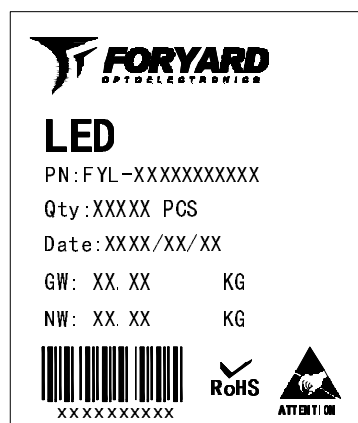
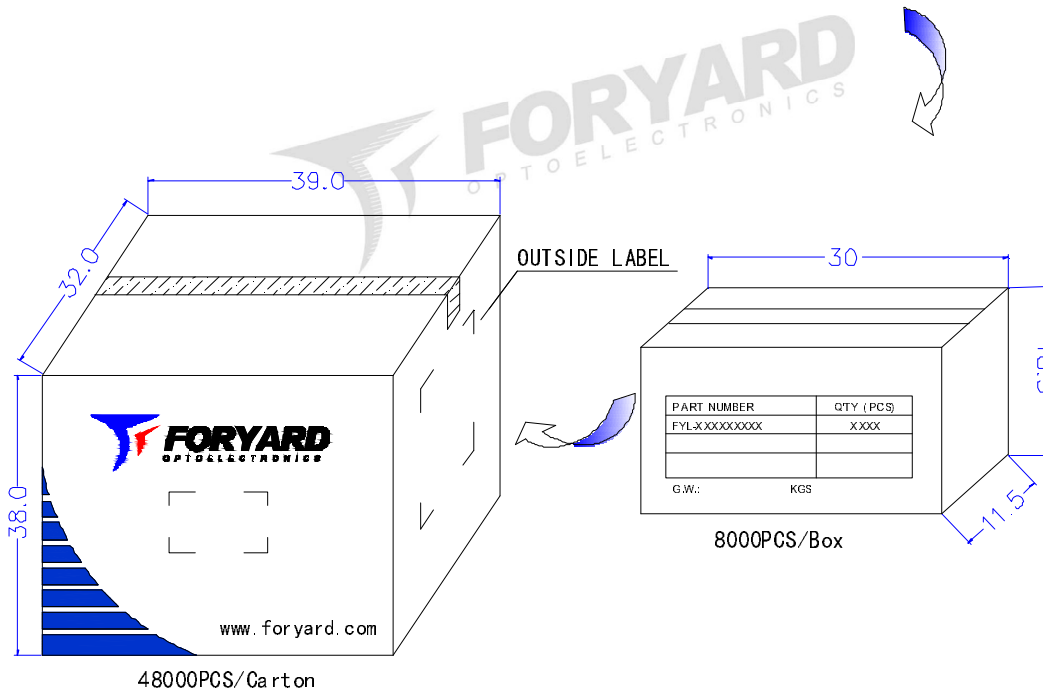


Model No.: FYL-5013PDB1C01-WG

■ LAMP PACKING.



5mm 1000PCS/Poly bag



OUTSIDE LABEL

Note: The specifications are subject to change without notice. Please contact us for updated information.