



PRODUCT SPECIFICATION

Model No.: FYL-5013PTB1C01-WG

Descriptions:
<ul style="list-style-type: none"> ■ Emitting Color: NPN silicon phototransistor. ■ Device Outline: Φ5mm round type. ■ Lens Type: Deep blue.



CUSTOMER APPROVED SIGNATURES	APPROVED BY	SALES BY	PREPARED BY
			

NINGBO FORYARD OPTOELECTRONICS CO.,LTD.

Add:No. 666 Jinghua Road, Hi-tech Park, Ningbo, Zhejiang, China

Zip:315103

Tel: 0086-574-87933652 87927870

Fax: 0086-574-87927917

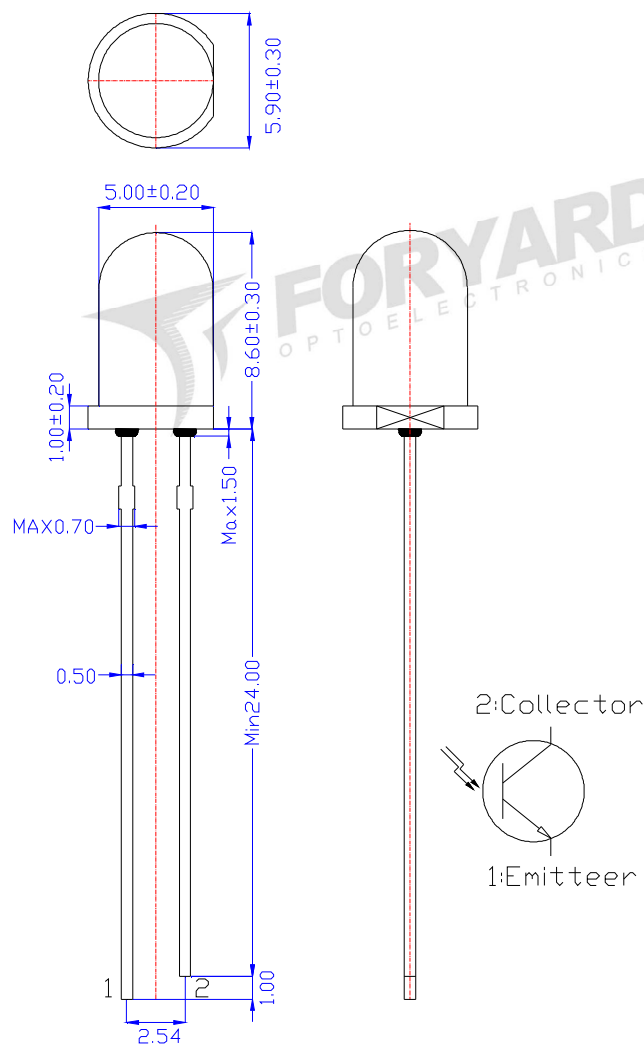
E-mail:Sales@foryard.com (General)

Model No.: FYL-5013PTB1C01-WG

■ Features

- 1.Low power consumption.
- 2.High efficiency.
- 3.General purpose leads.
- 4.High intensity.
- 5.RoHs compliant.

■ Package configuration



Notes:

1. All dimensions are millimeters (inches)
2. Tolerance is ± 0.25 mm (.010") unless otherwise noted.
3. The specifications, characteristics and technical data described in the datasheet are subject to change without prior notice.
4. The drawing is different from the actual one, please refer to the sample.

Model No.: FYL-5013PTB1C01-WG

■ Absolute Maximum Ratings(Ta=25°C)

Parameter	Symbol	Ratings	Unit
Power Dissipation	Pd	75	mW
Collector-Emitter Voltage	V _{CEO}	30	V
Emitter-Collector Voltage	V _{ECO}	5	V
Operating Temperature	T _{opr}	-25~85	°C
Storage Temperature	T _{str}	-40~100	°C
Lead Soldering Temperature,2mm form body for 5 seconds	Tsol	260	°C

■ Typical Electrical & Optical Characteristics(Ta=25°C)

Parameter	Symbol	Min.	Typ.	Max.	Test Condition	Unit
Collector-Emitter Breakdown Voltage	BV _{CEO}	30	---	---	I _C =100μA Ee=0mW/cm ²	V
Emitter-Collector Breakdown Voltage	BV _{ECO}	5	---	---	I _C =100μA Ee=0mW/cm ²	V
Collector-Emitter Saturation Voltage	V _{CE(SAT)}	---	---	0.4	I _C =2mA Ee=1mW/cm ²	V
Rise Time	t _r	---	15	--	V _{CE} =5V I _C =1mA R _L =1000Ω	μS
Fall Time	t _f	---	15	--		
Collector Dark Current	I _{CEO}	---	---	100	Ee=0mW/cm ² V _{CE} =20V	nA
On State Collector Current	I _{C(ON)}	3.1	5	6.75	Ee=1mW/cm ² V _{CE} =5V	mA
Rang of Spectral Bandwidth	λ _{0.5}	760	--	1100	--	nm
Wavelength of Peak Sensitivity	λ _p	---	940	--	--	nm

Note:

- 1.Luminous Intensity is based on the Foryard standards.
- 2.Pay attention about static for InGaN

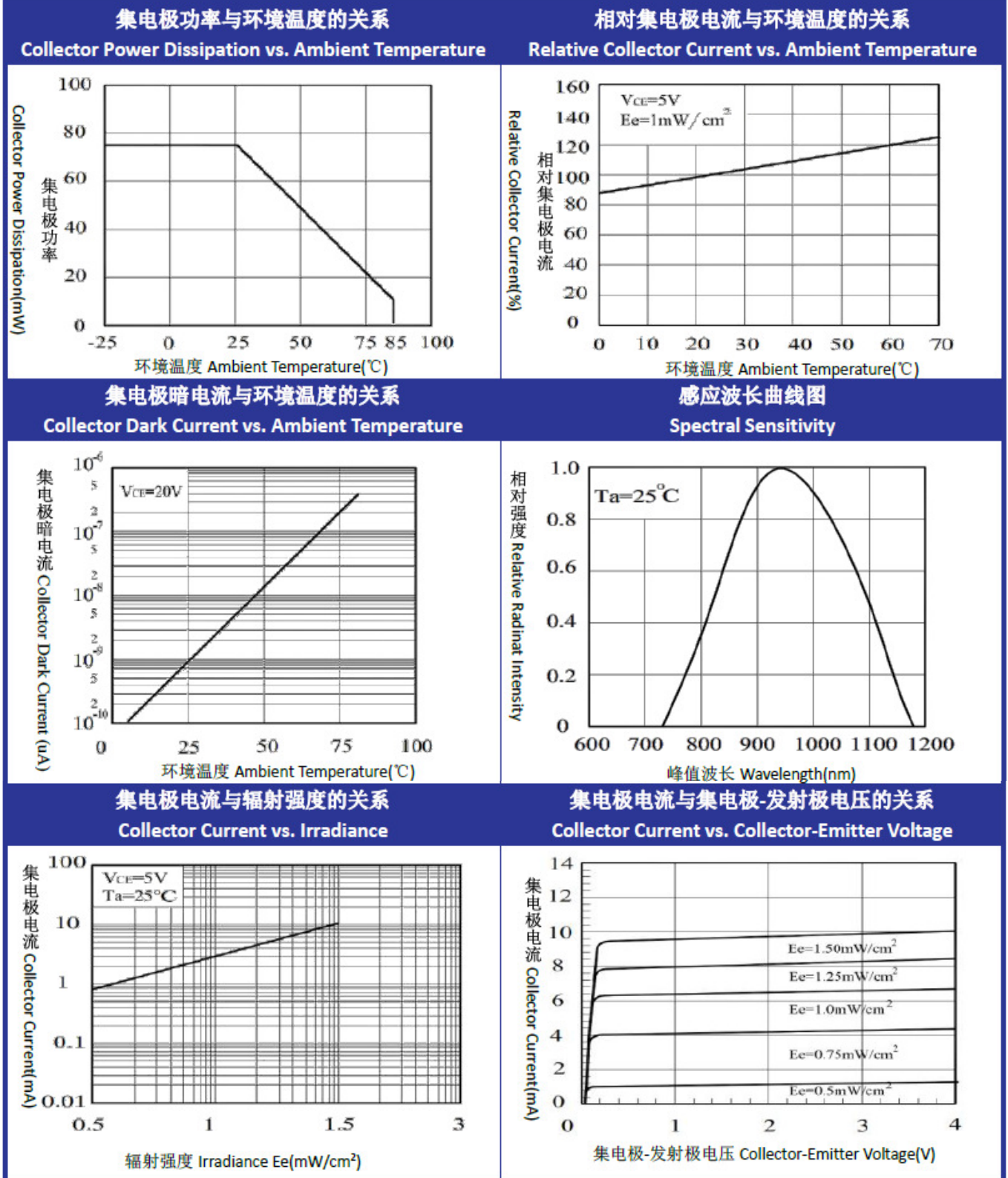
■ Rank

Code	K	L
On State Collector Current(mA)	3.1~4.85	4.7~6.75

Ee=1mW/cm² V_{CE}=5V

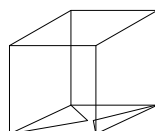
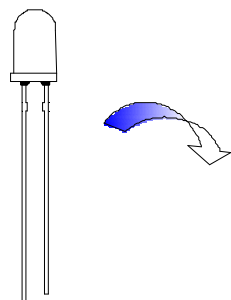
Model No.: FYL-5013PTB1C01-WG

Typical Electro-Optical Characteristics Curves

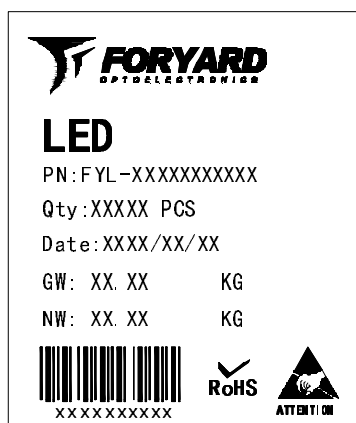
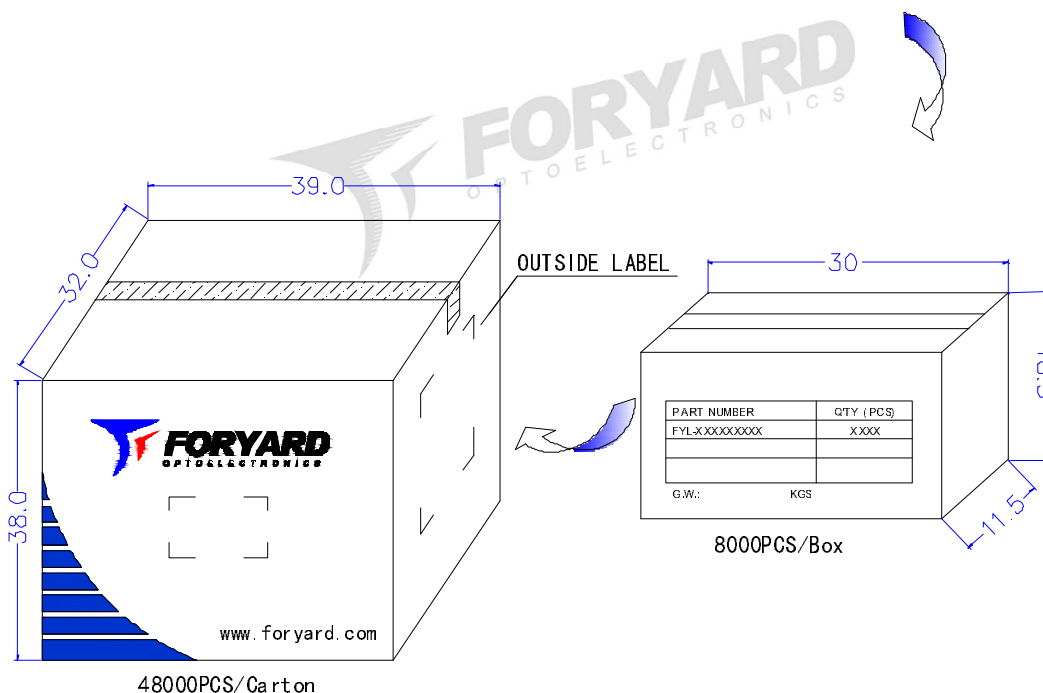


Model No.: FYL-5013PTB1C01-WG

LAMP PACKING.



5mm 1000PCS/Poly bag



OUTSIDE LABEL

Note: The specifications are subject to change without notice. Please contact us for updated information.