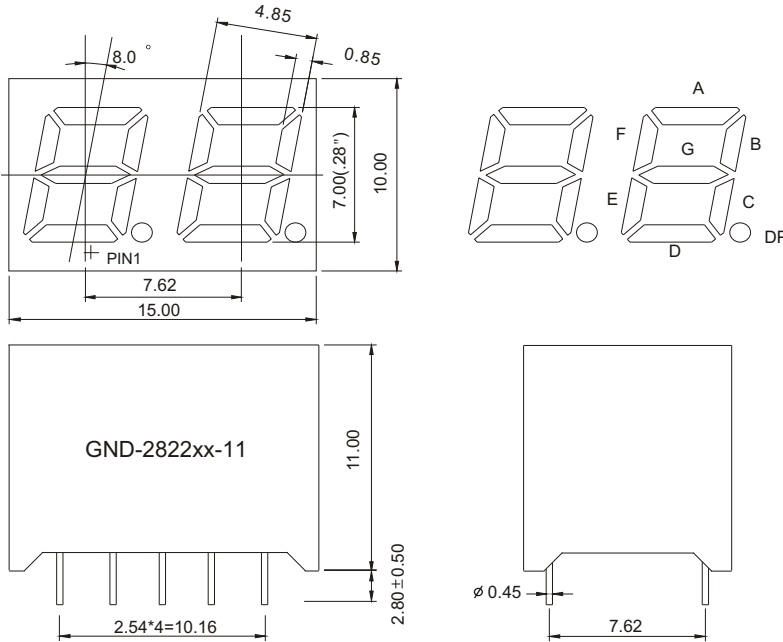


0.28"(7.00mm)Dual Digit 7 Segment Display

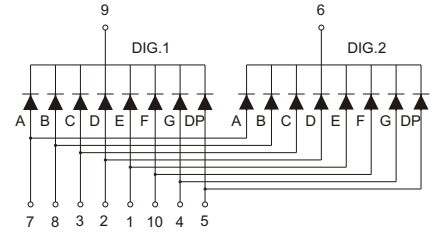
PACKAGE DIMENSION



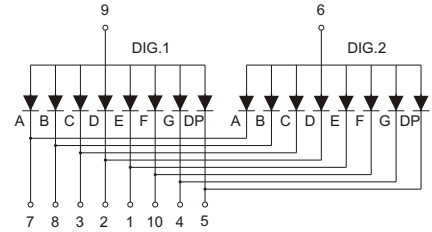
Tolerance $\pm 0.25\text{mm}$ unless stated

INTERNAL CIRCUIT DIAGRAM

Common Cathode GND-2822Ax



Common Anode GND-2822Bx



Features:

- *Ultra segment intensity
- *Wide viewing angle
- *Range of colors
- *Black face White segment
- *RoHS compliant

Available option:

- *Alternative face and segment color
- *Alternative font
- *Cropped terminal pins
- *Available emitting color
- *Low current version

Electro/Optical Characteristics $I_f=20\text{mA}$ $T_a=25^\circ\text{C}$

Part Number Common Cathode	Part Number Common Anode	Emitting Color	Peak Wavelength	Forward Voltage V_F /Seg.		Luminous Intensity I_v /seg.		
				Typ.	Max.	Min.	Typ.	
GND-2822AUHR-11	GND-2822BUHR-11	AlGaInP/GaAs Ultra Red	640	2.00	2.50	40.00	60.00	
GND-2822AUE-11	GND-2822BUE-11	AlGaInP/GaAs Ultra Orange	632	2.00	2.50	40.00	60.00	
GND-2822AYO-11	GND-2822BYO-11	AlGaInP/GaAs Ultra Amber	605	2.00	2.50	40.00	60.00	
GND-2822AUY-11	GND-2822BUY-11	AlGaInP/GaAs Ultra Yellow	590	2.00	2.50	40.00	60.00	
GND-2822AUG-11	GND-2822BUG-11	AlGaInP/GaAs Ultra Green	574	2.10	2.50	25.00	40.00	
GND-2822APG-11	GND-2822BPG-11	InGaInP/SiC Pure Green	525	3.30	3.80	150.00	200.00	
GND-2822AUB-11	GND-2822BUB-11	InGaInP/SiC Ultra Blue	470	3.30	3.80	40.00	100.00	
GND-2822AUW-11	GND-2822BUW-11	InGaInP/SiC Ultra White	X-0.31/Y-0.31	3.30	3.80	200.00	500.00	
Units				nm	V		mcd	

Maximum Ratings $T_a=25^\circ\text{C}$ (Derate above 25°C)

Characteristic	Test Condition	Symbol	UHR	UE	YO	UY	UG	PG	UB	UW	Units
Pulse Forward Current Per Seg.	1/10 duty cycle 0.1ms Pulse width	I_{FP}	100	100	100	100	100	100	100	100	mA
DC Forward Current Per Seg.		I_F	30	30	30	30	30	30	30	30	mA
Reverse Current Per Seg.	$V_R=5V$	I_R	10	10	10	10	10	10	10	10	μA
Power Dissipation		P_D	65*16	65*16	65*16	65*16	75*16	110*16	120*16	120*16	mW
Operating Temperature		T_{OPR}	-40 to +80								$^\circ C$
Storage Temperature		T_{TSG}	-40 to +85								$^\circ C$
Lead soldering temperature	1.60mm from body maximum 3 seconds		260								$^\circ C$