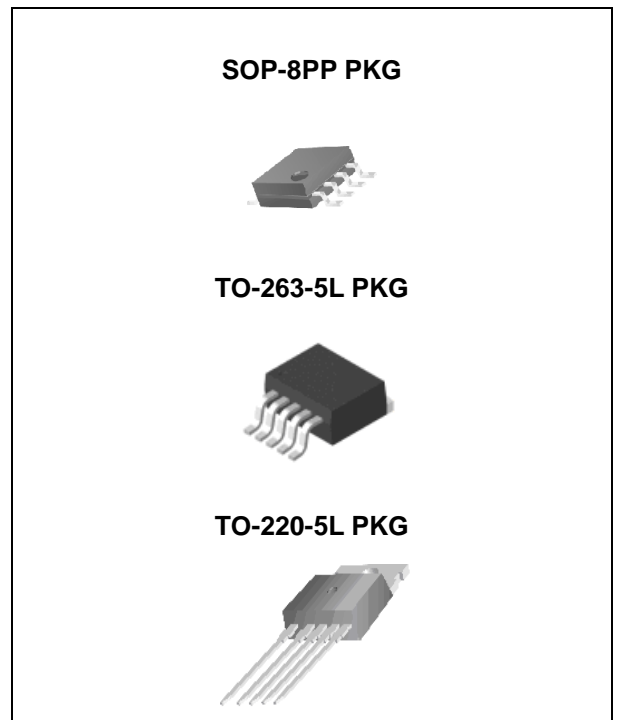


FEATURES

- 3.3V, 5.0V, 12V and Adjustable Output Versions
- Adjustable Version Output Voltage Range
- Wide Input Voltage Range
- Guaranteed 1A Output Current
- 52kHz Fixed Frequency Internal Oscillator
- Voltage mode non-synchronous PWM control
- On/Off shutdown control input
- Thermal Shutdown and Current Limit Protection
- Moisture Sensitivity Level 3 for SMD packages

APPLICATION

- Simple High-Efficiency Step-Down(Buck) Regulator
- Efficient Pre-Regulator for Linear Regulators
- On-Card Switching Regulators
- Positive to Negative Converter(Buck-Boost)



DESCRIPTION

The LM2575 series are monolithic ICs designed for a step-down DC/DC converter, capable of driving 1A load without an additional transistor. It saves a board space. The external shutdown function is controlled by a logic level and then the circuit comes into the standby mode. The internal compensation makes the feedback control with good line and load regulation characteristics without an external design. Regarding the protection functions – the thermal shutdown prevents circuit damage during the over temperature operation and the current limit is against overcurrent operation of the output switch. If the case for the current limiting occurs and VFB is down by 40% of the nominal output voltage, the switching frequency shall be reduced.

The fixed output voltage version includes 3.3V, 5V, 12V devices, while the adjustable version voltages range from 1.23V to 37V. The chips are available in a standard 5-lead TO-220, TO-263 and SOP-8PP package.

ABSOLUTE MAXIMUM RATINGS (Note 1)

Characteristic	Symbol	Value	Unit
Maximum Input Supply Voltage	V _{IN}	45	V
ON/OFF Pin Input Voltage	V _{ON/OFF}	-0.3 ≤ V ≤ 40, ≤ V _{IN}	V
Feedback Pin Voltage	V _{FB}	-0.3 ≤ V ≤ 25, ≤ V _{IN}	V
Output Voltage to Ground (Steady State)	V _{OUT}	-1	V
Storage Temperature Range	T _{STG}	-65 to +150	°C
Operating Temperature Range	T _J	150	°C

RECOMMENDED OPERATING CONDITIONS

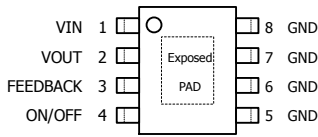
CHARACTERISTIC	SYMBOL	MIN.	MAX.	UNIT
Supply Voltage	V_{IN}	-	40	V
Load Current	I_{LOAD}	-	1	A
Junction Temperature	T_J	-40	125	°C

ORDERING INFORMATION

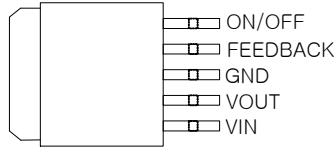
Order No.	Package	Marking	Packing
LM2575S-xx	TO263-5L	LM2575-xx	Reel
LM2575HVS-xx	TO263-5L	LM2575HV-xx	Reel
LM2575T-xx	TO220-5L	LM2575-xx	Tube
LM2575HVT-xx	TO220-5L	LM2575HV-xx	Tube
LM2575M-xx	SOP8	LM2575-xx	Reel

"XX" Stand for output Voltage

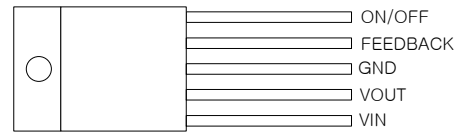
PIN CONFIGURATION



SOP-8PP



TO-263-5L



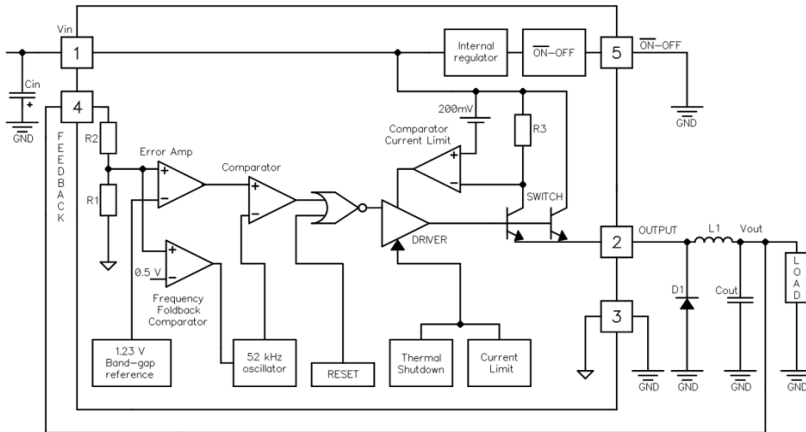
TO-220-5L

PIN DESCRIPTION

Package		Symbol	Description
TO-263-5L	SOP-8PP		
1	1	VIN	This pin is the positive input supply for the LM2575 step-down switching regulator. In order to minimize voltage transients and to supply the switching currents needed by the regulator, a suitable input bypass capacitor must be present.
2	2	VOUT	This is the emitter of the internal switch. The saturation voltage V_{SAT} of this output switch is typically 1.2V. It should be kept in mind that the PCB area connected to this pin should be kept to a minimum in order to minimize coupling to sensitive circuitry.
3	5, 6, 7, 8	GND	Circuit ground pin. See the information about the printed circuit board layout.
4	3	FEEDBACK	This pin senses regulated output voltage to complete the feedback loop. The signal is divided by the internal resistor divider network R1, R2 and applied to the non-inverting input of the internal error amplifier. In the adjustable version of the LM2575 switching regulator this pin is the direct input of the error amplifier and the resistor network R1, R2 is connected externally to allow programming of the output voltage.
5	4	ON/OFF	It allows the switching regulator circuit to be shutdown using logic level signals, thus dropping the total input supply current to approximately 100uA.

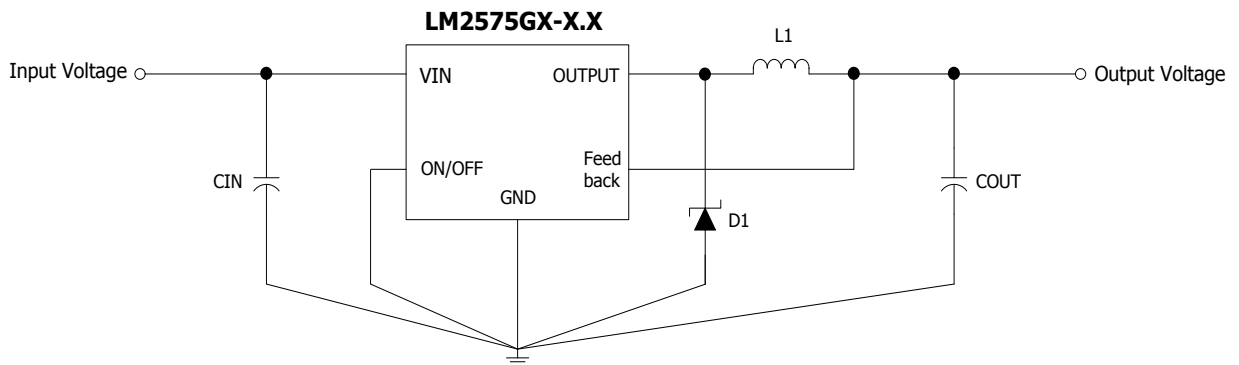
* Exposed Pad of SOP-8PP package should be externally connected to GND.

BLOCK DIAGRAM

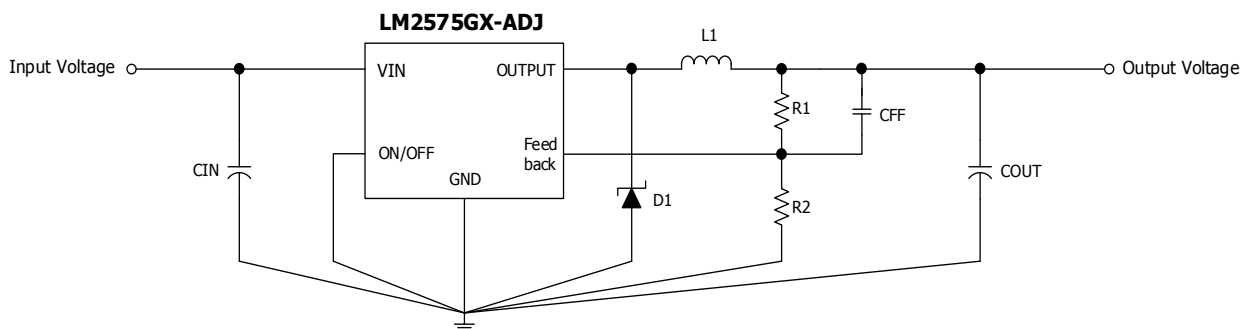


TYPICAL APPLICATION

- Fixed Output Voltage Version



- Adjustable Output Voltage Version



ELECTRICAL CHARACTERISTICS

Specification with standard type face are for $T_J=25^\circ\text{C}$, and those with **boldface type** apply over **full Operating Temperature Range**. Unless specified otherwise, $V_{IN}=12\text{V}$ for the 3.3V, 5V, and Adjustable versions and $V_{IN}=18\text{V}$ for the 12V version. $I_{LOAD}=0.2\text{A}$

Characteristic	Symbol	Test Condition	Min. (Note 3)	Typ. (Note 2)	Max. (Note 3)	Unit	
SYSTEM PARAMETERS (Note 4)							
Efficiency	η	LM2575GX-ADJ	$V_{IN}=15\text{V}, I_{LOAD}=1\text{A}$		80		%
		LM2575GX-3.3	$V_{IN}=12\text{V}, I_{LOAD}=1\text{A}$		75		
		LM2575GX-5.0	$V_{IN}=12\text{V}, I_{LOAD}=1\text{A}$		77		
		LM2575GX-12	$V_{IN}=15\text{V}, I_{LOAD}=1\text{A}$		85		
Output Voltage	V_{OUT}	LM2575GX-3.3	$5.1\text{V} \leq V_{IN} \leq 40\text{V}$	3.168	3.3	3.432	V
			$0.2\text{A} \leq I_{LOAD} \leq 1\text{A}$	3.135		3.465	
		LM2575GX-5.0	$7\text{V} \leq V_{IN} \leq 40\text{V}$	4.800	5.0	5.200	
			$0.2\text{A} \leq I_{LOAD} \leq 1\text{A}$	4.750		5.250	
		LM2575GX-12	$15\text{V} \leq V_{IN} \leq 40\text{V}$	11.520	12	12.480	
			$0.2\text{A} \leq I_{LOAD} \leq 1\text{A}$	11.400		12.600	
Feedback Voltage	V_{FB}	LM2575GX-ADJ	$7\text{V} \leq V_{IN} \leq 40\text{V}$	1.193	1.23	1.267	V
			$0.2\text{A} \leq I_{LOAD} \leq 1\text{A}$	1.180		1.280	
DEVICE PARAMETERS							
Feedback Bias Current	I_{FB}	Adjustable Version Only, $V_{FB}=1.3\text{V}$		10	50	nA	
Oscillator Frequency	F_{OSC}	(Note 5)	47	52	58	kHz	
			42		63		
Saturation Voltage	V_{SAT}	$I_{OUT}=1\text{A}$, (Note 6, 7)		1.2	1.4	V	
				1.3	1.5		
Max. Duty Cycle (ON)	DC	(Note 7)		100		%	
Min. Duty Cycle (OFF)		(Note 8)		0			
Current Limit	I_{CL}	Peak Current (Note 6, 7)		3.2		A	
Output Leakage Current	I_L	$V_{OUT}=0\text{V}$ (Note 6, 8)			-1	mA	
		$V_{OUT}=-1\text{V}$ (Note 9)			-30	mA	
Quiescent Current	I_Q	(Note 8)		5	8	mA	
Shutdown Current	$I_{SHUTDOWN}$	$V_{ON/OFF}=5\text{V(OFF)}$ (Note 9)		100	200	μA	
					250		
ON/OFF Control							
ON/OFF Pin Logic Input Threshold voltage	V_{IH}	Low (Regulator ON)			0.6	V	
	V_{IL}	High (Regulator OFF)	2.0				
ON/OFF Pin Logic Input current	I_H	$V_{ON/OFF}=2.5\text{V}$ (regulator OFF)		-0.1	5	μA	
	I_L	$V_{ON/OFF}=0.5\text{V}$ (regulator ON)		0.01	-1		

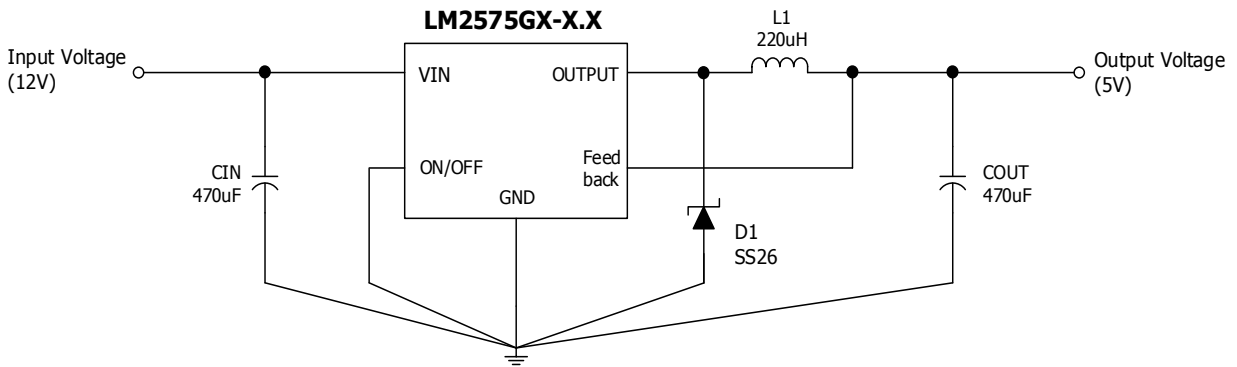
-
- Note 1:** Absolute Maximum Rating indicate limits beyond which damage to the device may occur. Operating Ratings indicate condition for which the device is intended to be functional, but do not guarantee specific performance limits. For guaranteed specifications and test conditions, see the Electrical Characteristics.
- Note 2:** Typical numbers are at 25°C and represent the most likely norm.
- Note 3:** All limits guaranteed at room temperature (standard type face) and at temperature extremes (**bold type face**).
- Note 4:** External components such as the schottky diode, inductor, input and output capacitors, and voltage programming resistors can affect switching regulator system performance. When the LM2575 is used as shown in the typical circuit, system performance will be as shown in system parameters section of Electrical Characteristics.
- Note 5:** The switching frequency is reduced when the second stage current limit is activated. The amount of reduction is determined by the severity of current over-load.
- Note 6:** No diode, inductor or capacitor connected to output pin.
- Note 7:** Feedback pin removed from output and connected to 0V to force the output transistor switch ON.
- Note 8:** Feedback pin removed from output and connected to 12V for the 3.3V, 5V, and the ADJ version, and 15V for the 12V version, to force the output transistor switch OFF.
- Note 9:** VIN=40V.

APPLICATION INFORMATION

- TYPICAL APPLICATION

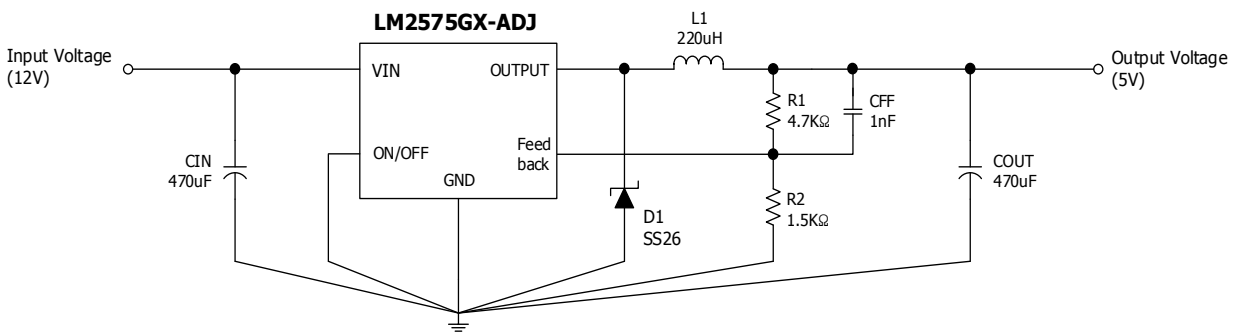
As in any switching regulator, layout is very important. Rapidly switching currents associated with wiring inductance generate voltage transients which can cause problems. For minimal inductance and ground loops, the length of the wires should be kept as short as possible. Single-point grounding or ground plane construction should be used for best results. Keep the feedback wiring away from the inductor flux.

- Fixed Output Voltage Version (V_{OUT}=5V)



[Figure 1]

- Adjustable Output Voltage Version (V_{OUT}=5V)



[Figure 2]

$$* V_{OUT} = V_{FB} \left(1 + \frac{R1}{R2} \right), \text{ Where } V_{FB}=1.23V, R2 \text{ Between } 1K \text{ and } 5K, CFF=1nF$$