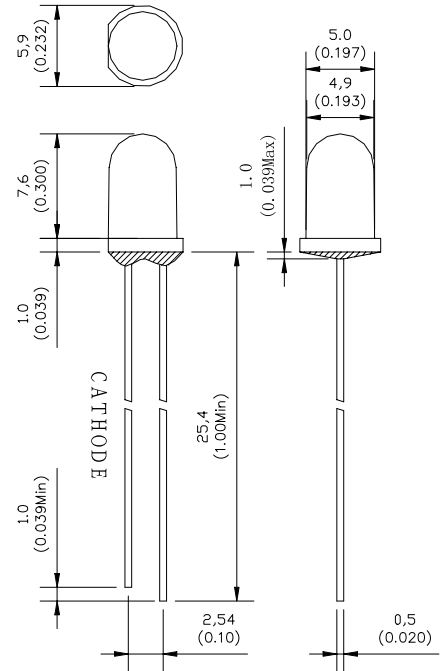


GNL-5013xx (Φ 5mm ROUND TYPE) Ultra Brightness

ABSOLUTE MAXIMUM RATING:(Ta=25°C)

Parameter			Unit
DC Forward Current	30		mA
Reverse Voltage	5		V
Reverse Current (Vr=5V)	10		μA
Peak Forward Current ,tw ,=1 msec Duty ,=1/20	150		mA
Operation Temperature	-40	+80	°C
Storage Temperature	-40	+100	°C
Solder Dip (5 seconds, 1.6mm from body) Temperature	300	±5	°C



Part Number	EMITTED COLOR		Lens Color	Peak Wavelength (nm)	Vf (v) Typ.	IV (If=20mA) mcd		View Angle 2 θ 1/2
						Min.	Typ.	
GNL-5013UEC-A	AlGaInP	Super Orange Red	Water Clear	625	2.0	2500	3000	18°
GNL-5013UYC-A	AlGaInP	Super Yellow	Water Clear	592	2.0	2800	3500	18°
GNL-5013UEC-TL	AlGaInP	Super Orange Red	Water Clear	625	2.0	3800	4500	18°
GNL-5013UYC-TL	AlGaInP	Super Yellow	Water Clear	592	2.0	5000	6000	18°
GNL-5013UYOC-TL	AlGaInP	Super Amber	Water Clear	610	2.0	3800	4500	18°
GNL-5013UBC-TL	InGaN	Super Blue	Water Clear	470	3.5	6000	7000	18°
GNL-5013BGC-TL	InGaN	Super Bluish Green	Water Clear	505	3.5	10000	12000	18°
GNL-5013PGC-TL	InGaN	Super Pure Green	Water Clear	525	3.5	15000	20000	18°
GNL-5013UEC-TL-50	AlGaInP	Super Yellow	Water Clear	625	2.0	1500	2000	30°
GNL-5013UYC-TL-50	AlGaInP	Super Yellow	Water Clear	592	2.0	2000	3000	30°
GNL-5013BGC-TL-50	InGaN	Super Bluish Green	Water Clear	505	3.5	6000	8000	30°
GNL-5013UBC-TL-50	InGaN	Super Blue	Water Clear	470	3.5	2500	2800	30°
GNL-5013PGC-TL-50	AlGaInP	Super Pure Green	Water Clear	525	3.5	8000	10000	35°
GNL-5013UEC-TL-60	AlGaInP	Super orange Red	Water Clear	625	2.0	2500	3000	35°
GNL-5013UYC-TL-60	AlGaInP	Super Yellow	Water Clear	592	2.0	2000	3000	35°
GNL-5013BGC-TL-60	AlGaInP	Super Bluish Green	Water Clear	505	3.5	6000	8000	35°
GNL-5013PGC-TL-60	AlGaInP	Super Pure Green	Water Clear	525	3.5	7500	9500	35°
GNL-5013UEC-TL-60-H	AlGaInP	Super orange Red	Water Clear	625	2.0	3000	4000	35°
GNL-5013UYC-TL/60-H	AlGaInP	Super Yellow	Water Clear	592	2.0	3000	4000	35°
GNL-5013BGC-TL/60-H	AlGaInP	Super Bluish Green	Water Clear	505	3.5	7000	9000	35°