

ASSEMBLY

| ITEM | DESCRIPTION | MATERIAL | COLOUR | UNIT |
|------|-------------|-----------------|--------|------|
| 1 | D1MG-BODY | PC/ABS(UL94-V0) | GREY | 1 |
| 2 | D1MG-BASE | PC/ABS(UL94-V0) | GREY | 1 |
| 3 | D1MG-COVER | PC/ABS(UL94-V0) | GREY | 1 |
| 4 | D1MG-GUARD | PC/ABS(UL94-V0) | GREY | 2 |

宣又實業有限公司
GAINTA INDUSTRIES LTD.

繪圖

DRA'D BY

JACKY

日期

DATE

2013/01/15

材質

MATE.

PC/ABS(UL94-V0)

圖名TITLE:

D1MG-ASSEMBLY

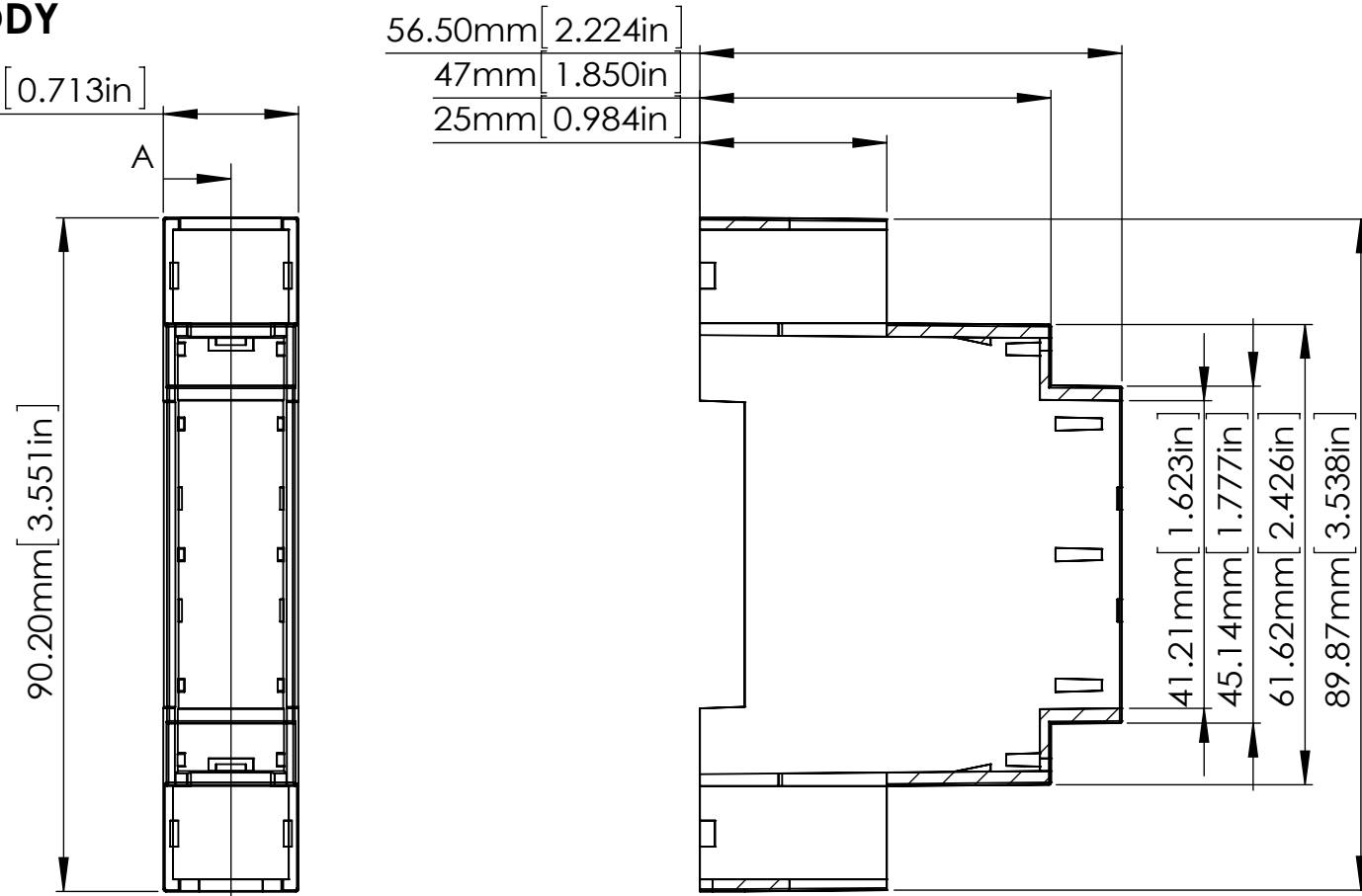
圖號DWG NO:

版次REVISID:

A

D1MG-BODY

18.10mm [0.713in]



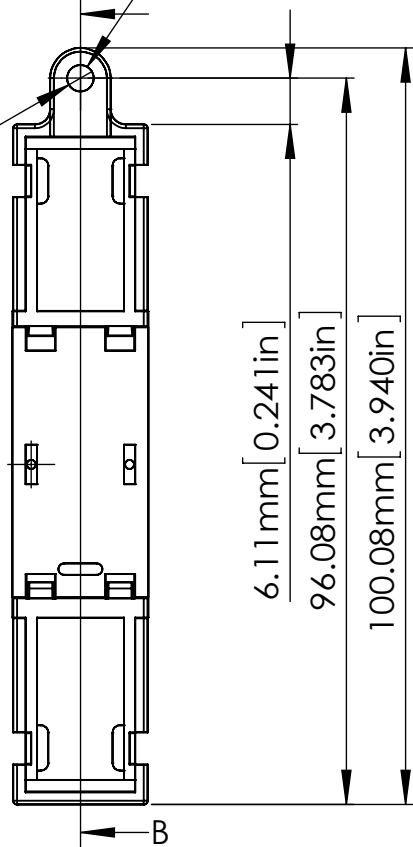
USE M3X9.2 mm
SELF-TAPPING SCREWS

SECTION A-A

2.50mm [0.098in]

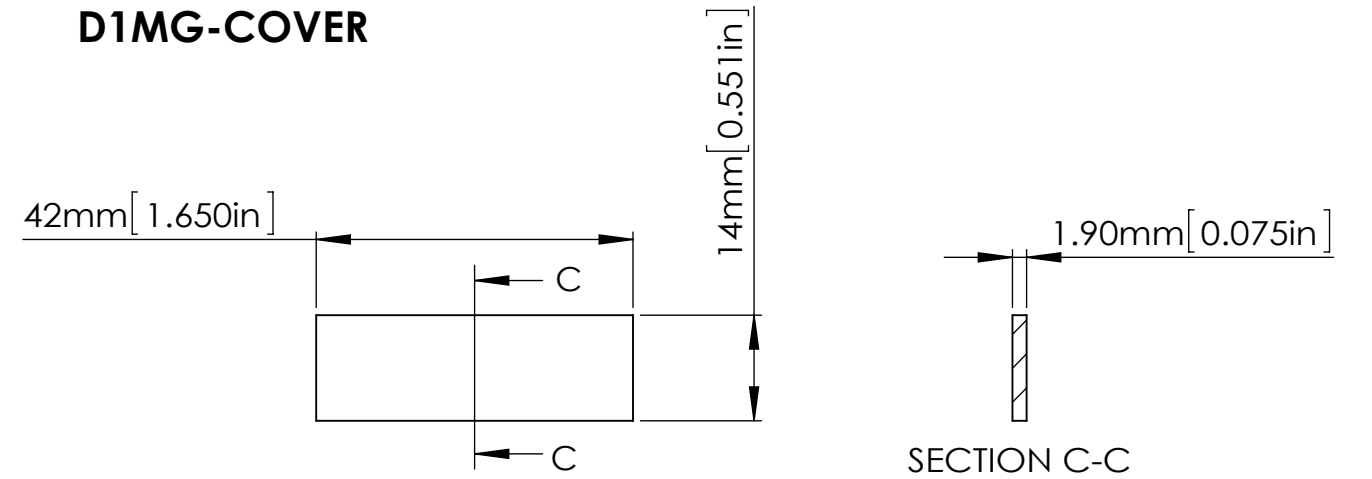
D1MG-BASE

$\phi 3.50\text{mm}$ [0.138in]



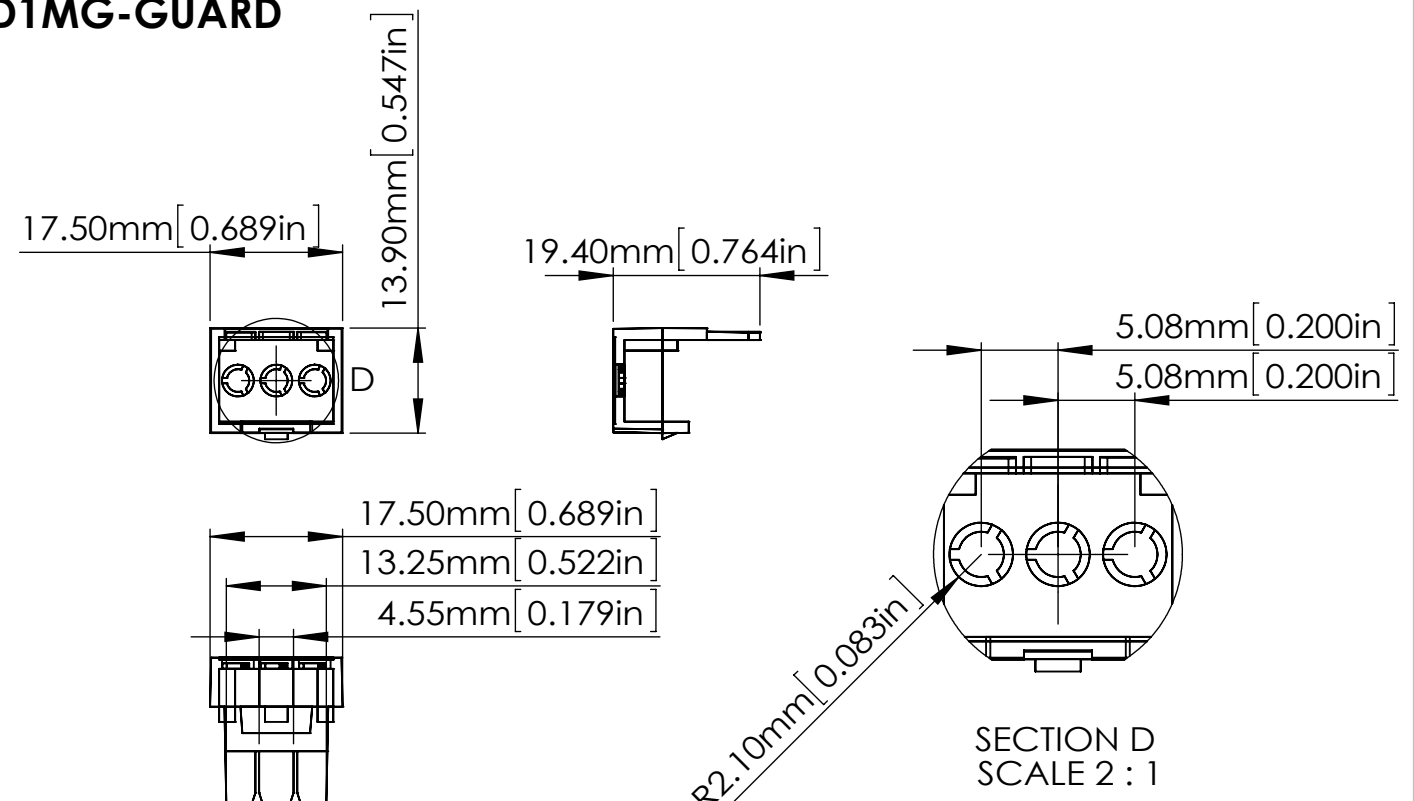
SECTION B-B

D1MG-COVER



SECTION C-C

D1MG-GUARD



SECTION D
SCALE 2 : 1

宣又實業有限公司
GAINTA INDUSTRIES LTD.

繪圖

DRA'D BY

日期

DATE

材質

MATE.

圖名TITLE:

圖號DWG NO:

版次REVISID:

JACKY

2013/01/15

PC/ABS(UL94-V0)

D1MG-PART

A