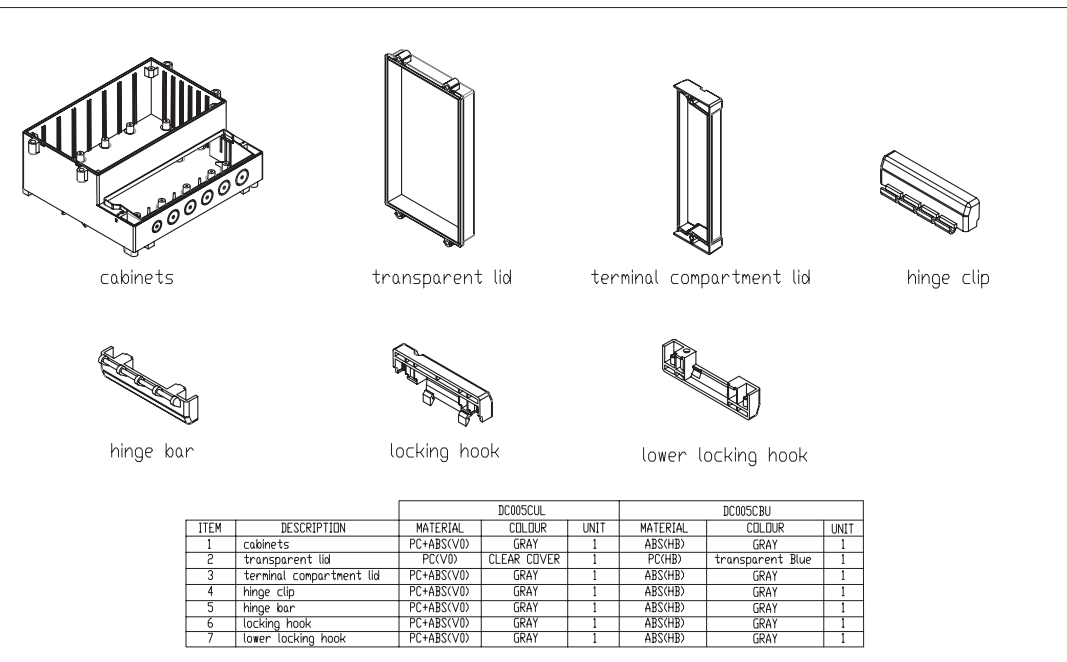


DIMENSION	CABLE GLAND
A	15.6mm PG 9(CR M12)
B	19.0mm PG 11(CR M16)
C	20.8mm PG 13.5(CR M20)

According to ISD 2768-m	
Measuring DIM=L	Tolerances
0.5(L<=3.0mm)	±0.1mm
3.0(L<=6.0 mm)	±0.1mm
6.0(L<=30.0 mm)	±0.2mm
30.0(L<=120.0 mm)	±0.3mm
120.0(L<=400.0 mm)	±0.5mm
400.0(L<=1000.0 mm)	±0.8mm



ITEM	DESCRIPTION	DC005CUL			DC005CBU		
		MATERIAL	COLOR	UNIT	MATERIAL	COLOR	UNIT
1	cabinets	PC+ABS(CV0)	GRAY	1	ABS(HB)	GRAY	1
2	transparent lid	PC(CV0)	CLEAR COVER	1	PC(HB)	transparent Blue	1
3	terminal compartment lid	PC+ABS(CV0)	GRAY	1	ABS(HB)	GRAY	1
4	hinge clip	PC+ABS(CV0)	GRAY	1	ABS(HB)	GRAY	1
5	hinge bar	PC+ABS(CV0)	GRAY	1	ABS(HB)	GRAY	1
6	locking hook	PC+ABS(CV0)	GRAY	1	ABS(HB)	GRAY	1
7	lower locking hook	PC+ABS(CV0)	GRAY	1	ABS(HB)	GRAY	1

宜文實業有限公司 GAINTA INDUSTRIES LTD.	繪圖 DRA'D BY	日期 DATE	材質 MATE.	圖名/TITLE:DC005CUL	圖號/DWG NO:	版本/REVISID:
	JACKY	2012/04/13	PC+ABS(CV0), ABS(HB)	DC005CBU	1-1	A

宜文實業有限公司 GAINTA INDUSTRIES LTD.	繪圖 DRA'D BY	日期 DATE	材質 MATE.	圖名/TITLE: DC005CUL	圖號/DWG NO:	版本/REVISID:
	JACKY	2012/04/13	PC+ABS(CV0), ABS(HB)	DC005CBU	1-2	A