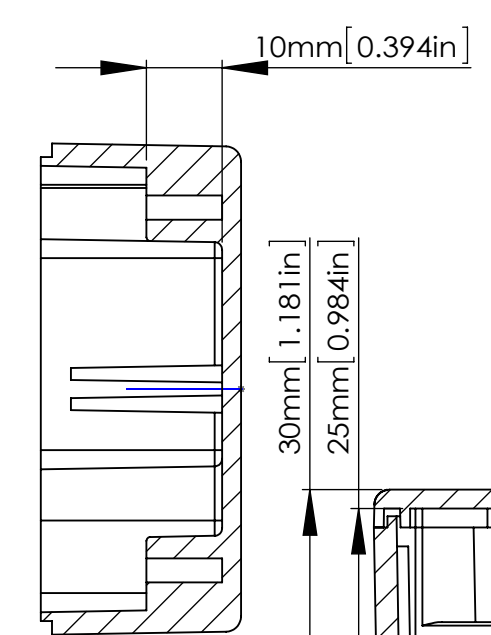
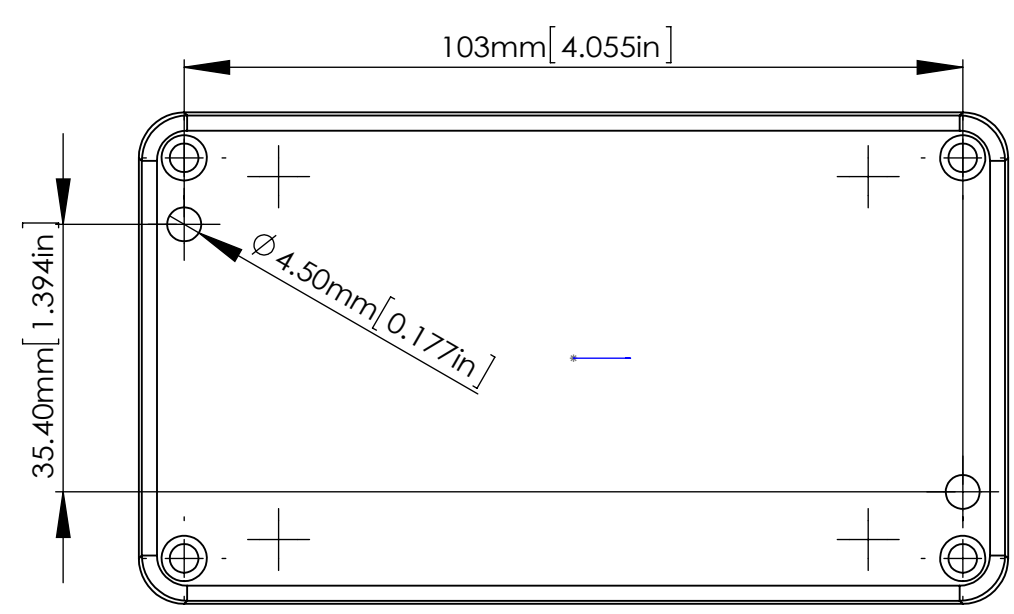


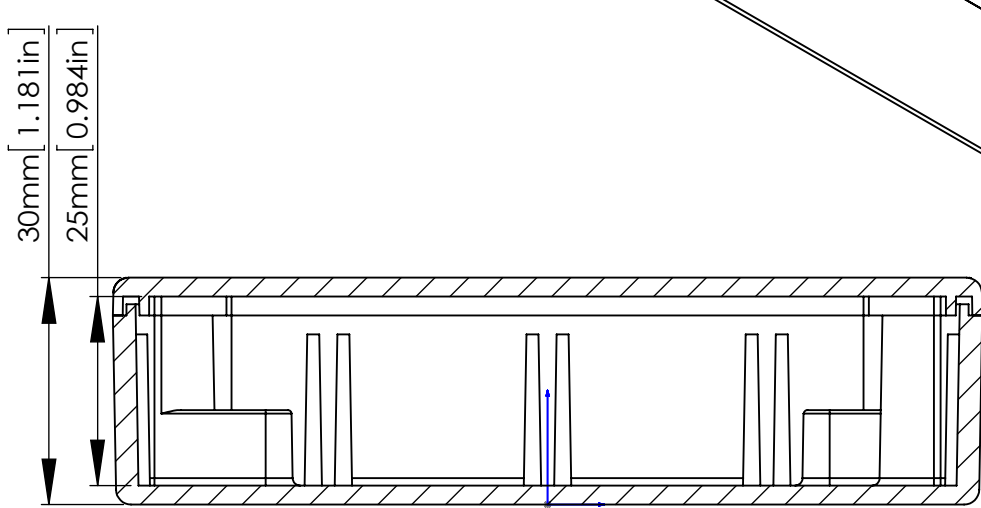
SECTION C-C

SECTION A-A

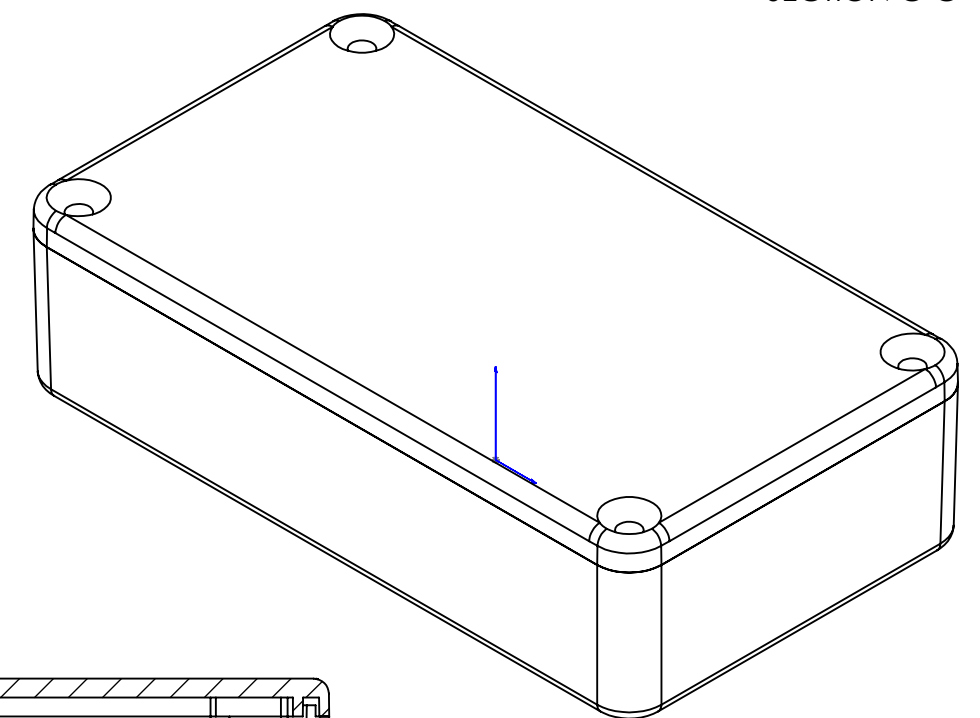
FOUR (4) M4X20 mm  
FLAT HEAD SCREWS



SECTION B-B



ASSEMBLY



**TOLERANCES: +/- 0.30 mm (+/- 0.012in)**

宣又實業有限公司 GAINTA INDUSTRIES LTD.	繪圖	DRA'D BY	日期	DATE	材質	MATE.	圖名TITLE:	圖號DWG NO:	版次REVISED:
		JACKY	2012/07/05		ALUMINIUM ALLOY ADC-12		G106		B