

FEATURES

- 16A switching capability
- 5KV Dielectric strength between coil and contacts
- 1A,1B,1C, 2A,2B, 2C configurations
- size 29.5 x 12.7x 15.8(L x W x H)



CONTACT DATA

Contact form	1C, 2C
Contact resistance (Initial)	100mΩ (at 1A 6VDC)
Rated load	1C:16A 240VAC/30VDC 12A 240VAC/30VDC 2C: 8A 240VAC/30VDC
Max.Switching power	1C:3000VA 2C:2000VA
Contact material	Ag Alloy

CHARACTERISTICS

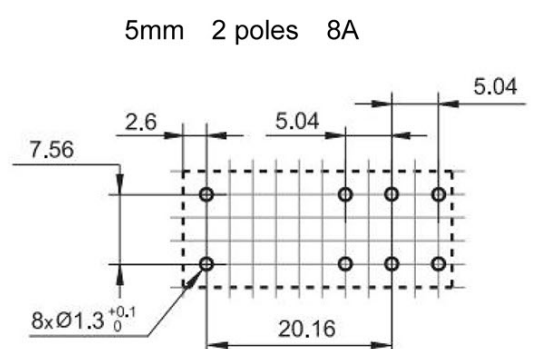
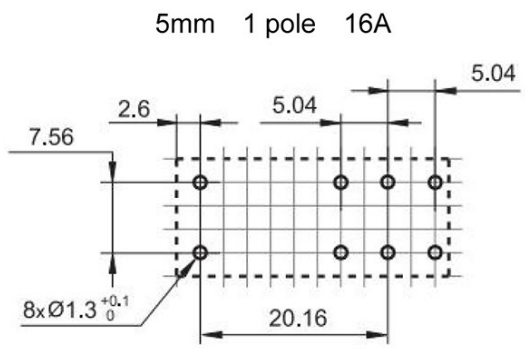
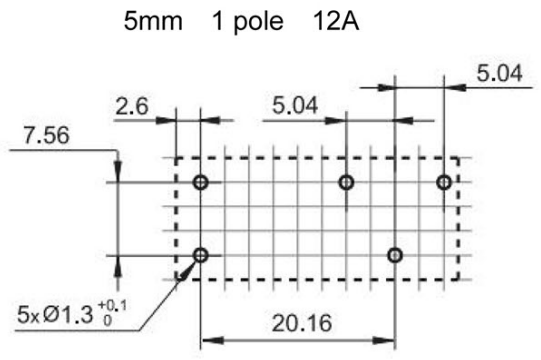
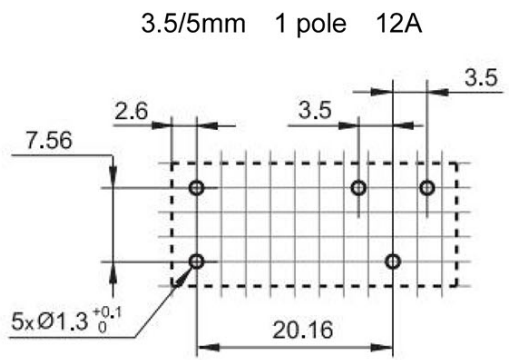
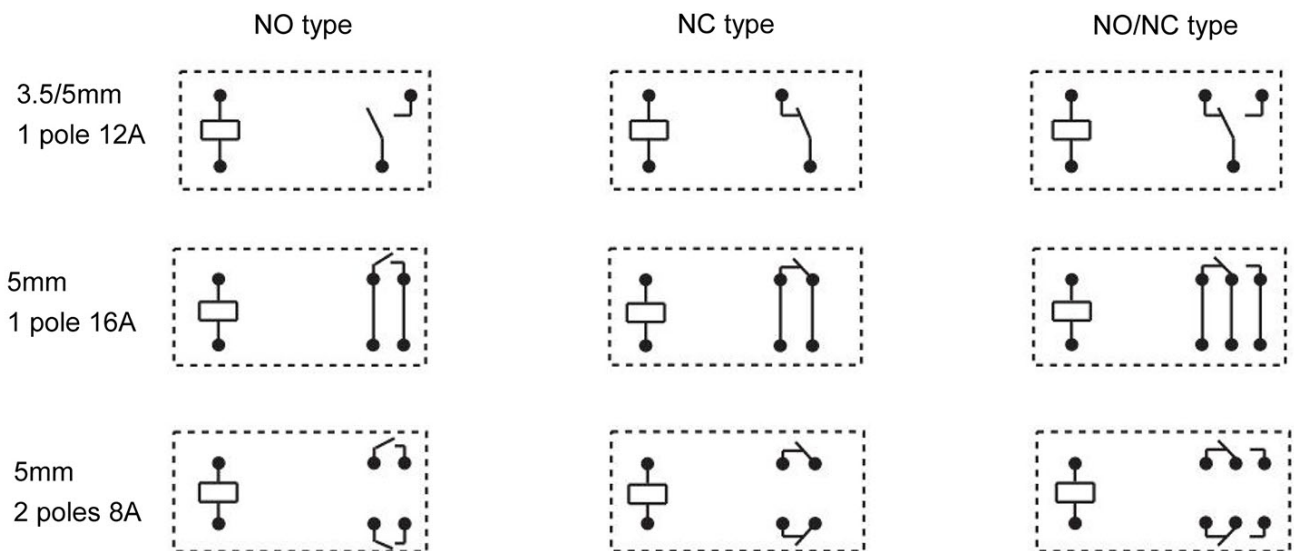
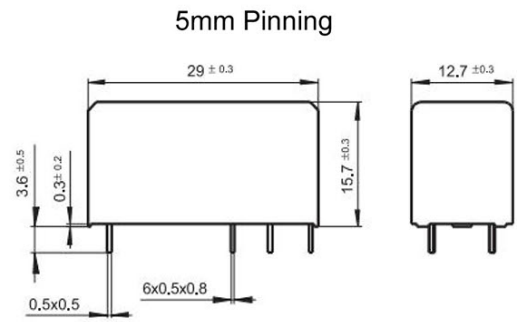
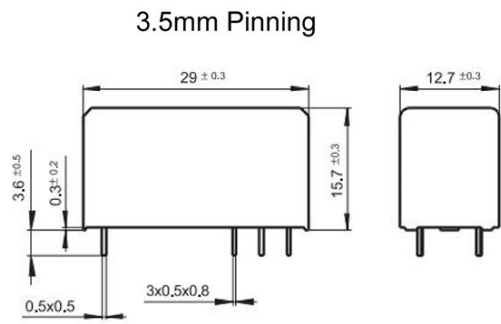
Insulation resistance	1000MΩ 500VDC
Dielectric strength	5000VAC,1 min.between coil to contact 1000VAC,1 min.between open contact
Operate time	15ms
Release time	8ms
Vibration resistance	10-55Hz, DA 1.5mm
Humidity	5% ~ 85%RH
Ambiet Temp.	-40℃ ~ +85℃
Electrical life	1×10 ⁵ ops (at rated coil voltage)
Mechanical life	1×10 ⁷ ops

COIL DATAS

Rated voltage (VDC)	Pick-up Voltage VDC (Max.)	Drop-out Voltage VDC (Min.)	Rated Current (mA±10%)	Coil resistance (Ω±10%)	Power (mW)
5	3.5	0.5	80	62	400
6	4.5	0.6	67	90	400
9	6.75	0.9	44	202	400
12	9	1.2	33	360	400
18	12.5	1.8	22	810	400
24	18	2.4	17	1440	400
48	36	4.8	8	5760	400

- Notes: 1) All values unspecified are at room temperature.
 2) Only typical loads are listed above. Other load specifications can be available upon request.
 3) For sealed type, the vent-hole cover should be excised.

OUTLINE DIMENSIONS, WIRING DIAGRAM AND PC BOARD LAYOUT (Unit: mm)



Remark:1) In case of no tolerance shown in outline dimension: outline dimension ≤ 1mm, tolerance should be ± 0.2mm; outline dimension > 1mm and ≤ 5mm, Tolerance should be ± 0.3mm; outline dimension > 5mm, tolerance should be ± 0.4mm.
 2) The tolerance without indicating for PCB layout is always ± 0.1mm