

KAN0444



Type: SMD tact switch

Dimension: 3×4×H/H=2MM/2.5MM

Operating force: 100gf/160gf/260gf

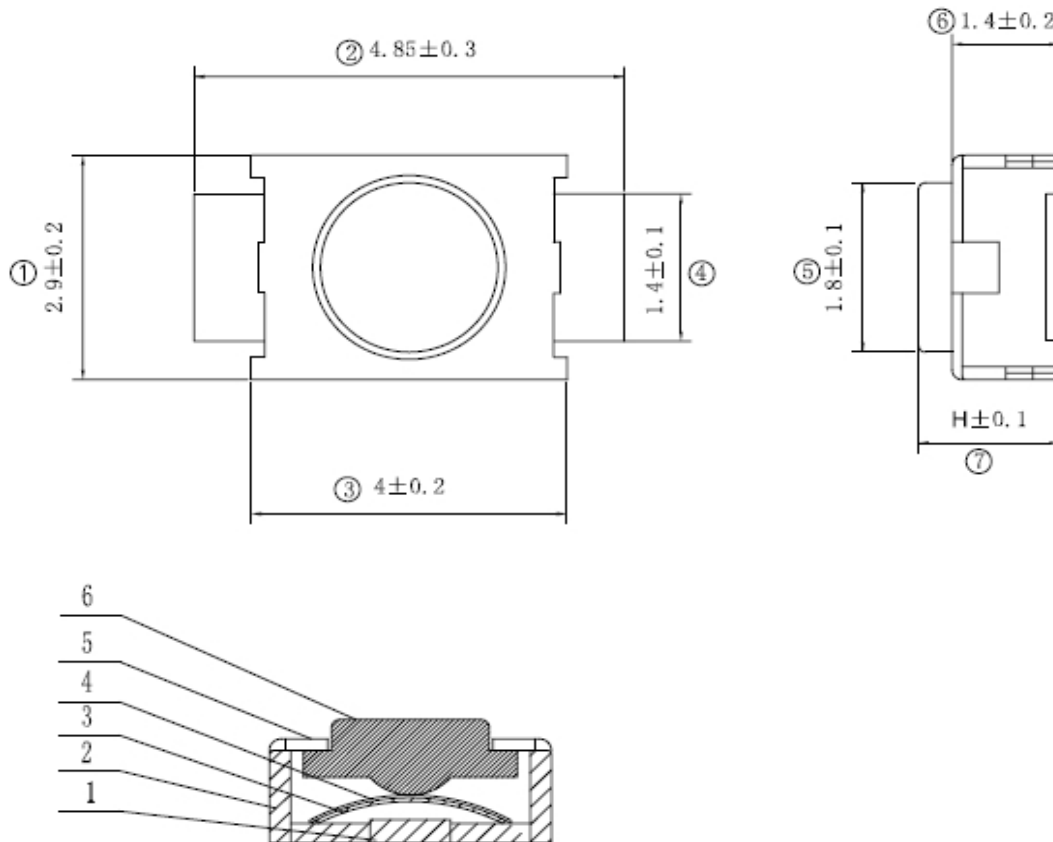
Life cycles: 100/200 thousand cycles

Features: Dustproof / anti flux

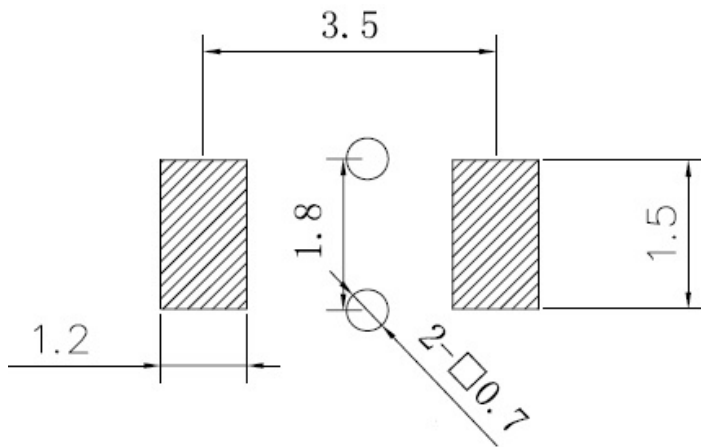
Basic Parameters

Temperature:	-20°C to +70°C
Rated current:	50mA 12VDC
Insulation resistance:	100MΩ min. 100VDC
Dielectric strength:	250VAC for 1 min
Contact resistance:	100mΩ max.
Travel:	0.2±0.05mm

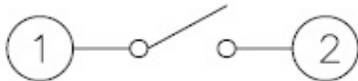
Outline Drawing



Mounting Hole Size Chart



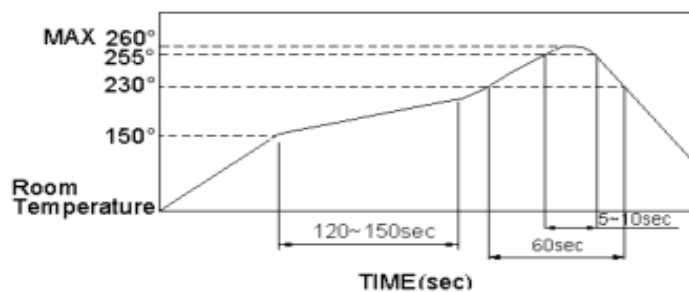
Circuitry



DIP Switches Using Attention

SMD Tact Switch Welding Condition

Reflow Soldering Condition



Hand soldering

Please practice according to below conditions:

- (1) Soldering temperature: 350°C Max.
- (2) Continuous soldering time: 3 s Max.

SMD switches using attention

1. Please consult us when considering to wash tact switches.
2. Please don't immerse soldering flux into tact switches.
3. Please don't paint soldering flux on the surface of switch terminals and other parts in PCB board.
4. The second welding should be done after switches return to normal temperature.