

**BENEFITS:**

- Last longer in car alarm
- Deliver the highest standards of performance excellence

**APPLICATIONS BEST FOR:**

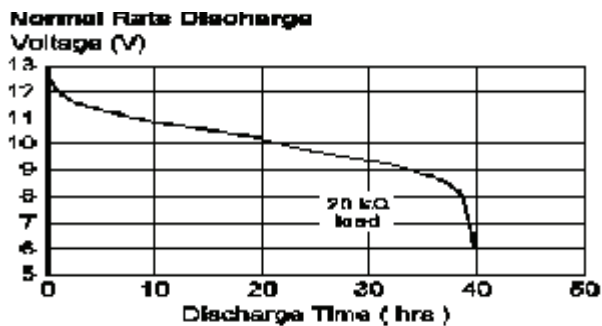


**Other Details:**

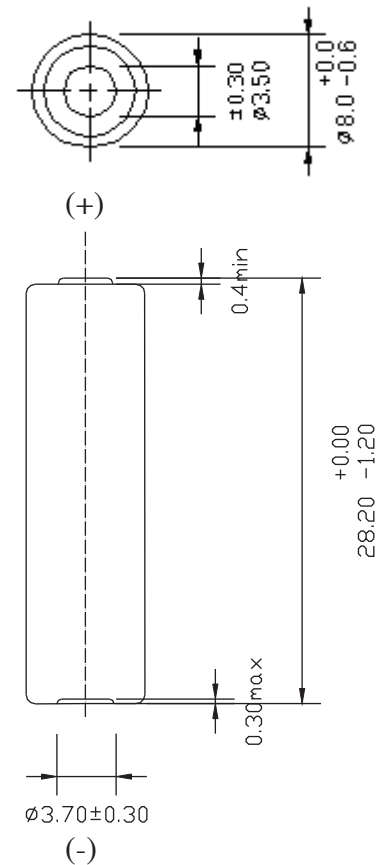
- Mercury Free & Lead Free Battery
- Average weight: 4.4g

**Cross Reference:**

GP	Energizer	Duracell	Golden Power
27AF	A27	MN27	A27G



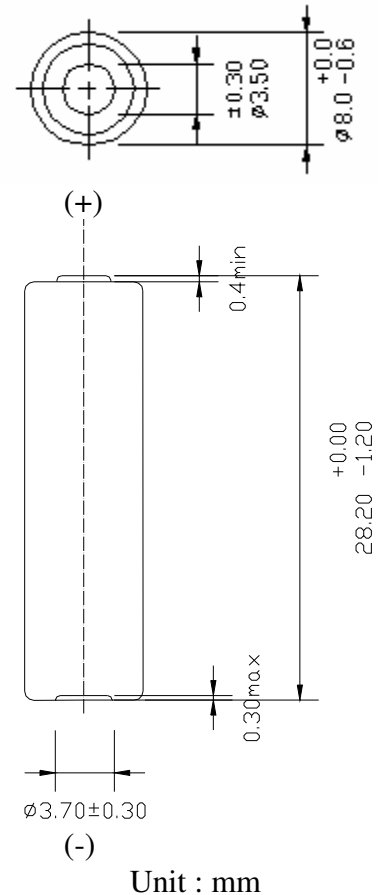
- GP Alkaline High Voltage
- 12 Volts



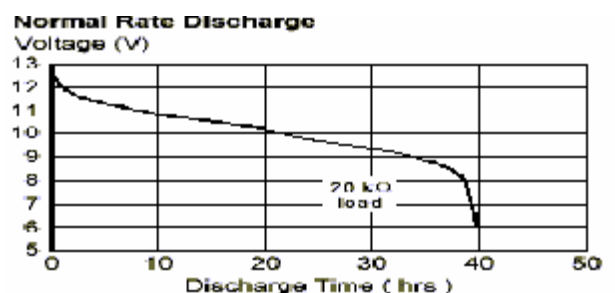
Unit : mm

Model No.: **GP27AF**

<b>Description</b>	: Mercury Free & Lead Free Alkaline High Voltage Multicell
<b>Nominal Voltage</b>	: 12Volts
<b>Nominal Dimensions</b>	: Ø8.0mm×28.2mm
<b>Terminal</b>	: Nickel plated flat contacts - protruded red(+); recessed black (-)
<b>Jacket</b>	: Metal jacket
<b>Internal Connection</b>	: Pressure
<b>Applications</b>	: Remote controller
<b>Average Weight</b>	: 4.4g
<b>Date Code</b>	: Unless otherwise specified, each batteries will carry a numeric year code and analogue month code (-)
<b>Shelf Life</b>	: Not less than 90% of the service capacity within first year storage at 20 ± 2 °C 55 ± 20 %RH
<b>Insulation</b>	: 5MΩ min.
<b>Resistance</b>	
<b>Close Circuit Voltage</b>	: 10.5Volts (min.)(load resistor 3.2kΩ at 20 ± 2 °C for 0.1 to 2 seconds)
<b>Current Drain</b>	: Under 15mA pulse, 0.5mA continuous
<b>Nominal Service Life</b>	: 34hrs (at 20kΩ load) (to 6.0V at 20 ± 2 °C)
<b>Average Service</b>	: 18mAh(at 20kΩ load)
<b>Capacity</b>	
	(to 6.0V at 20 ± 2 °C)



### Typical Discharge characteristics at 20 ± 2 °C



The information (subject to change without prior notice) contained in this document is for reference only and should not be used as a basis for product guarantee or warranty. For applications other than those described here, please consult your nearest GP Sales and Marketing Office or Distributors.