

2/2 VALVES

Lucifer 321/322 K 40

Pilot operated

G 1/4" – 1"

Orifice:	12 - 18 mm
Port size:	G 1/4" - 1"
Max. pressure drop:	12 bar
Body material:	Brass
Max ambience temp:	+50°C
Protection:	IP 65
Media:	Non-lubricated air, lubricated air, inert gases and liquids
Remark:	Also available with magnetic latch control on request



Normally closed



Normally open



Normally closed

Valve	Port size (G)	Orifice size (mm)	Flow factor (l/min)		Seat disc	Coil ¹⁾	Power (W)		Pressure drop Δ p (bar)			Max media temperature (°C)		
			Gas Q _n	Liquid K _v			DC	AC	Min	Max		Gas	Liquid	Hydraulic/-Fuel oil
										DC	AC			
321 K 4106	1/4	12	2150	30	FKM	481865	9	8	0.3	12	12	100	100	100
321 K 4156 ²⁾														
321 K 4306	3/8	12	3050	45	FKM	481865	9	8	0.3	12	12	100	100	100
321 K 4356 ²⁾														
321 K 4506	1/2	12	3400	50	FKM	481865	9	8	0.3	12	12	100	100	100
321 K 4556 ²⁾														
321 K 4606	3/4	18	9400	100	FKM	481865	9	8	0.3	12	12	100	100	100
321 K 4656 ²⁾														
321 K 4706	1	18	10150	110	FKM	481865	9	8	0.3	12	12	100	100	100
321 K 4756 ²⁾														

¹⁾ Explosion proof: Coil 495905 EEx dm IIC T4

²⁾ Manually operated

Normally open

Valve	Port size (G)	Orifice size (mm)	Flow factor (l/min)		Seat disc	Coil ¹⁾	Power (W)		Pressure drop Δ p (bar)			Max media temperature (°C)		
			Gas Q _n	Liquid K _v			DC	AC	Min	Max		Gas	Liquid	Hydraulic/-Fuel oil
										DC	AC			
322 K 4106	1/4	12	2150	30	FKM	481865	9	8	0.3	12	12	100	100	100
322 K 4306	3/8	12	3050	45	FKM	481865	9	8	0.3	12	12	100	100	100
322 K 4506	1/2	12	3400	50	FKM	481865	9	8	0.3	12	12	100	100	100
322 K 4606	3/4	18	9400	100	FKM	481865	9	8	0.3	12	12	100	100	100
322 K 4706	1	18	10150	110	FKM	481865	9	8	0.3	12	12	100	100	100

Ordering example: 322 K 4106 – 481865 – 220/50

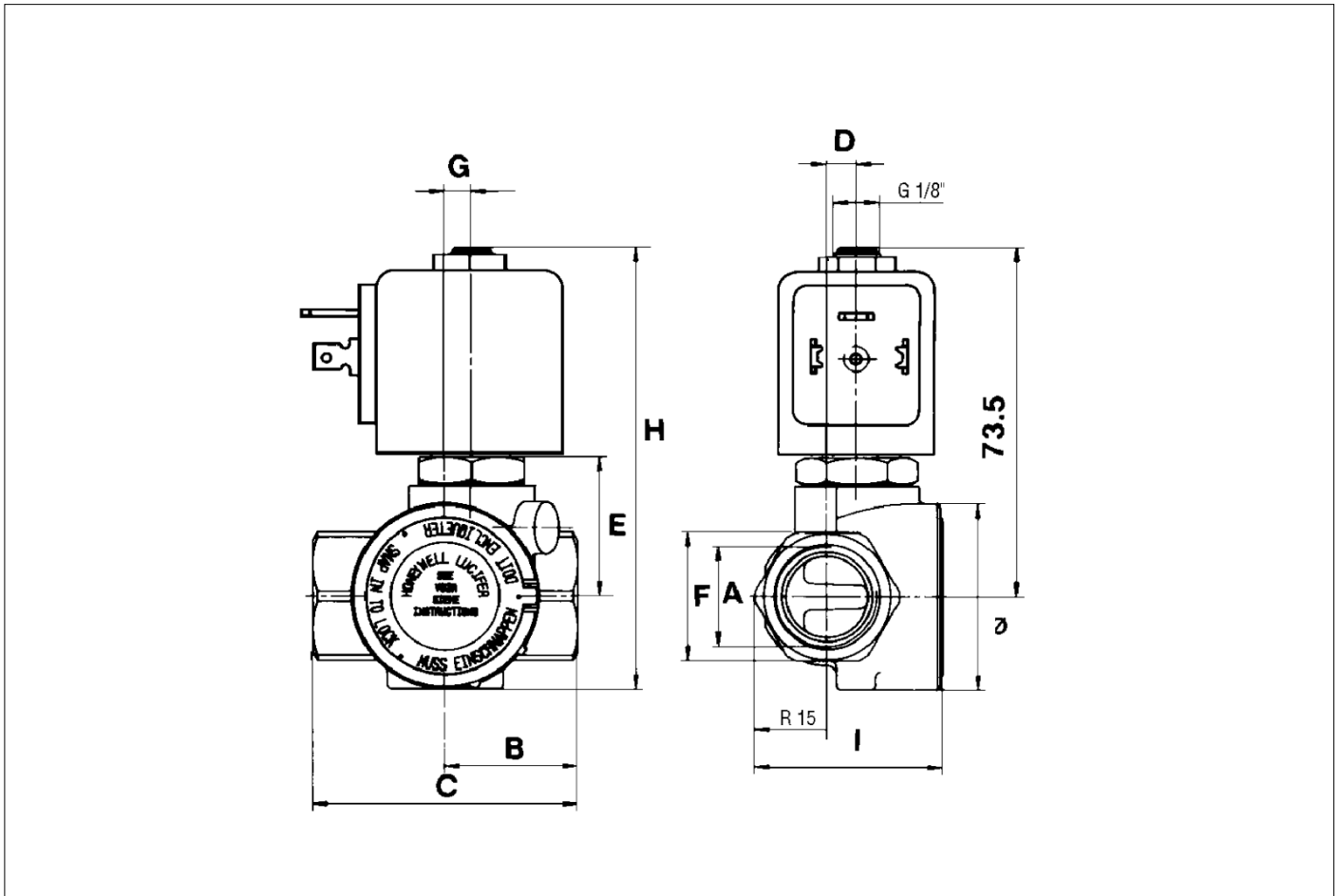
(Valve – Coil – Voltage)

2/2 VALVES

Lucifer 321/322 K 40

Pilot operated

G 1/4" – 1"



Valve	A	B	C	Ø	D	E	F	G	H	I	J
321K41	1/4	25.0	50	40	6.2	29.0	27	5.5	93.5	39	73.5
321K43	3/8	25.0	50	40	6.2	29.0	27	5.5	93.5	39	73.5
321K45	1/2	27.5	55	40	6.2	29.0	27	5.5	93.5	39	73.5
321K46	3/4	40.0	80	56	9.0	36.5	32	8.0	109.0	46	81.0
321K47	1	42.5	85	56	14.2	36.5	41	8.0	109.0	56	81.0

Opening-/Closing times for water at Δp 1 bar

Valve	Opening time sec.	Closing time sec.
321 K41	0.03	0.20
321 K43	0.03	0.25
321 K45	0.03	0.30
321 K46	0.05	0.70
321 K47	0.06	0.80

AXEL LARSSON

www.axel-larsson.se

Head Office Axel Larsson Maskinaffär AB, Truckvägen 12, P.O. Box 805, SE-194 28 Upplands Väsby (Stockholm), Sweden.
Telephone: +46 8 555 247 00 Fax: +46 8 555 247 90 E-mail: info@axel-larsson.se