

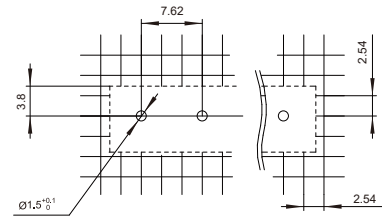
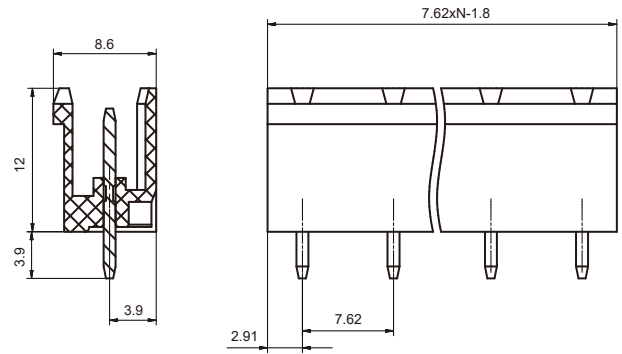
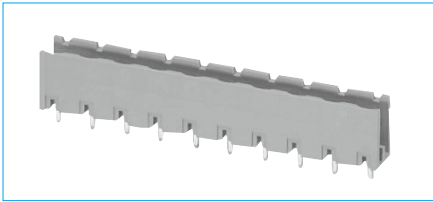
HFLS1D21-762

Plug-in terminal block

DIMENSIONAL DRAWING

OUTLINE DIMENSIONS, WIRING DIAGRAM

Unit:mm



FEATURES

- Standard needle type connector
- The plug-in direction of is vertical to PCB
- With flange with thread

SPECIFICATION

Load	10A 300V (ULstandard) 12A 250V (IEC standard)
Poles	2~12
Pitch	7.62mm
Rated Dielectric Strength	3100Vac/min
Rated Withstand Pulse Voltage	6kV
Ambient Temperature	-40 C ~105 C

- Remark: 1) In case of no tolerance shown in outline dimension: outline dimension $\leq 1\text{mm}$, tolerance should be $\pm 0.2\text{mm}$; outline dimension $> 1\text{mm}$ and $\leq 5\text{mm}$, tolerance should be $\pm 0.3\text{mm}$; outline dimension $> 5\text{mm}$, tolerance should be $\pm 0.4\text{mm}$.
- 2) The tolerance without indicating for PCB layout is always $\pm 0.1\text{mm}$.

ORDERING DATA

TYPE	POLES	PCS/BOX
HFLS1D21-762/S2-GN	2	170
HFLS1D21-762/S3-GN	3	130
HFLS1D21-762/S4-GN	4	110
HFLS1D21-762/S5-GN	5	90
HFLS1D21-762/S6-GN	6	80
HFLS1D21-762/S7-GN	7	70
HFLS1D21-762/S8-GN	8	60
HFLS1D21-762/S9-GN	9	60
HFLS1D21-762/S10-GN	10	50
HFLS1D21-762/S11-GN	11	50
HFLS1D21-762/S12-GN	12	50

Disclaimer:

The specification is for reference only. See to "Terminology and Guidelines" for more information. Specifications subject to change without notice.

We could not evaluate all the performance and all the parameters for every possible application. Thus the user should be in a right position to choose the suitable product for their own application. If there is any query, please contact Hongfa for the technical service. However, it is the user's responsibility to determine which product should be used only.

@ Xiamen Hongfa Electroacoustic Co., Ltd. All rights of Hongfa are reserved.