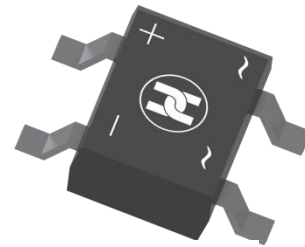
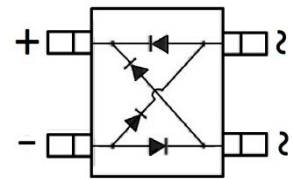


**BRIDGE RECTIFIER**
**FEATURES**

- Glass passivated die construction
- Low forward voltage drop
- High forward surge current capability

**MECHANICAL DATA**

- Case: DBS
- Case material: Molded plastic. UL flammability
- Classification rating: 94V-0
- Moisture sensitivity: Level 1 per J-STD-020
- Weight: 0.4 grams (approximate)


**DBS**

**MAXIMUM RATINGS (T<sub>A</sub> = 25°C unless otherwise noted)**

CHARACTERISTICS	SYMBOL	DB151S	DB152S	DB153S	DB154S	DB155S	DB156S	DB157S	UNIT
Maximum Recurrent Peak Reverse Voltage	V <sub>RRM</sub>	50	100	200	400	600	800	1000	V
Maximum RMS Voltage	V <sub>RMS</sub>	35	70	140	280	420	560	700	V
Maximum DC Blocking Voltage	V <sub>DC</sub>	50	100	200	400	600	800	1000	V
Maximum Average Forward Rectified Current @T <sub>A</sub> =40°C	I <sub>(AV)</sub>	1.5							A
Peak Forward Surge Current 8.3ms Single Half Sine-Wave Super Imposed on Rated Load (JEDEC Method)	I <sub>FSM</sub>	50							A
Maximum Forward Voltage at 1.5A DC	V <sub>F</sub>	1.1							V
Maximum DC Reverse Current at Rated DC Blocking Voltage @T <sub>J</sub> =25°C @T <sub>J</sub> =125°C	I <sub>R</sub>	10 500							μA
I <sup>2</sup> t Rating for Fusing (t<8.3ms)	I <sup>2</sup> t	10.4							A <sup>2</sup> s
Typical Junction Capacitance Per Element (Note1)	C <sub>J</sub>	25							pF
Typical Thermal Resistance (Note2)	R <sub>θJA</sub>	40							°C/W
Operating Temperature Range	T <sub>J</sub>	-55 to +150							°C
Storage Temperature Range	T <sub>STG</sub>	-55 to +150							°C

**BRIDGE RECTIFIER**

FIG.1-FORWARD CURRENT DERATING CURVE

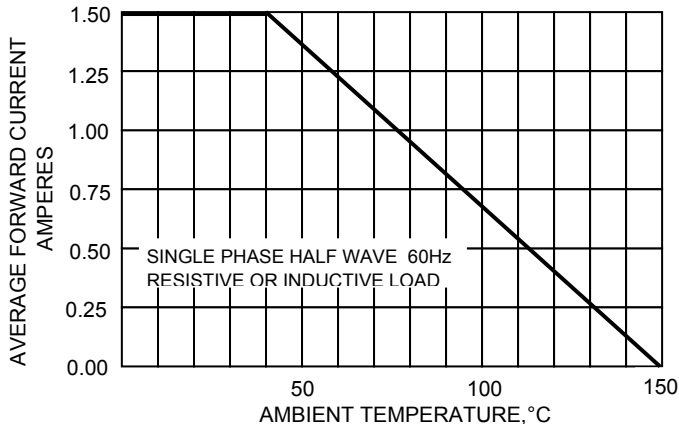


FIG.2-MXIMUM NON-REPETITIVE SURGE CURRENT

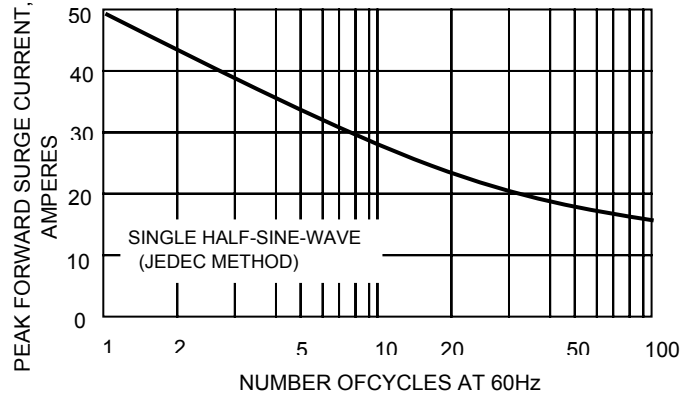


FIG.3-TYPICAL JUNCTION CAPACITANCE

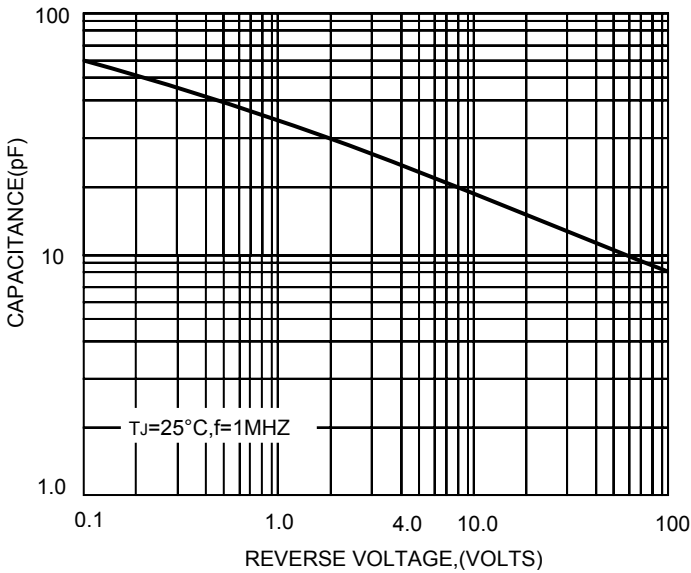


FIG.4-TYPICAL FORWARD CHARACTERISTICS

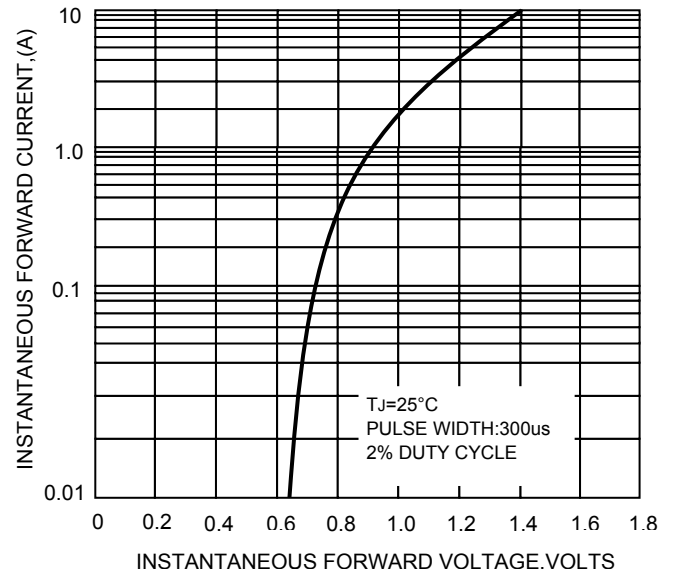
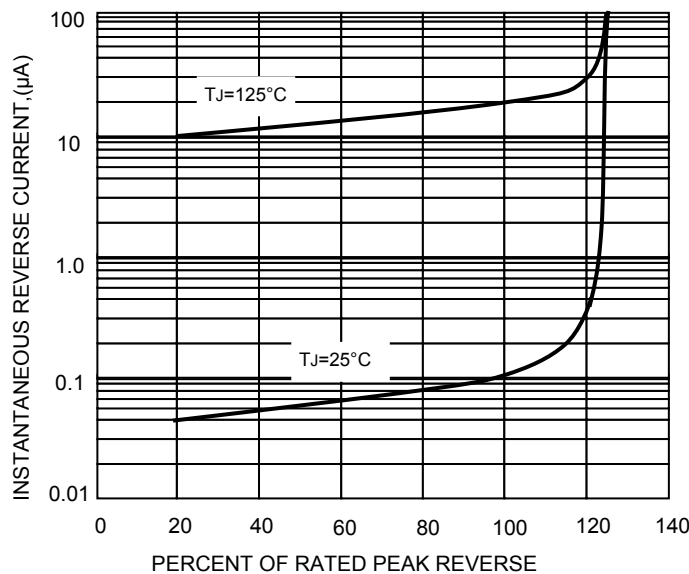
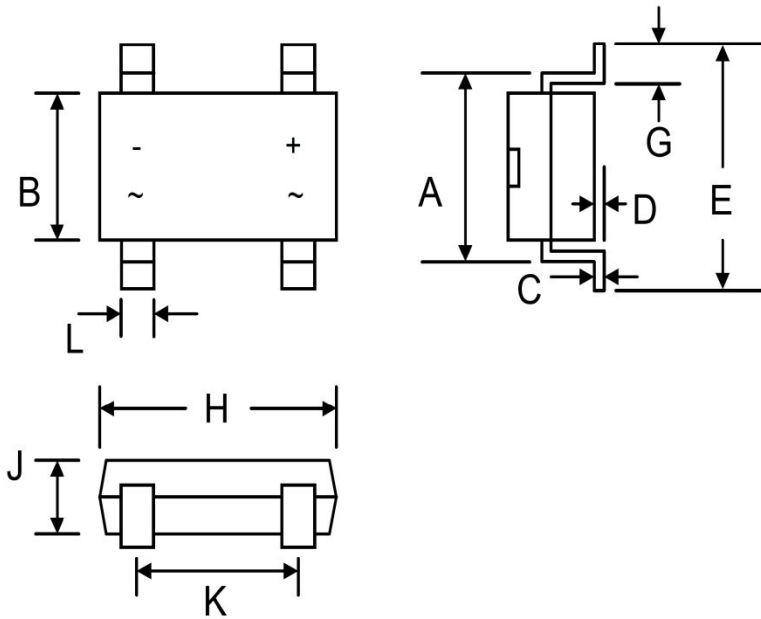
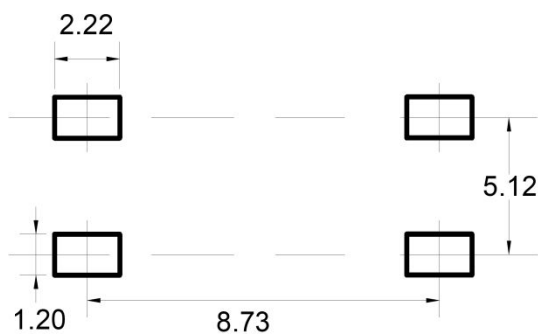


FIG.5-TYPICAL REVERSE CHARACTERISTICS

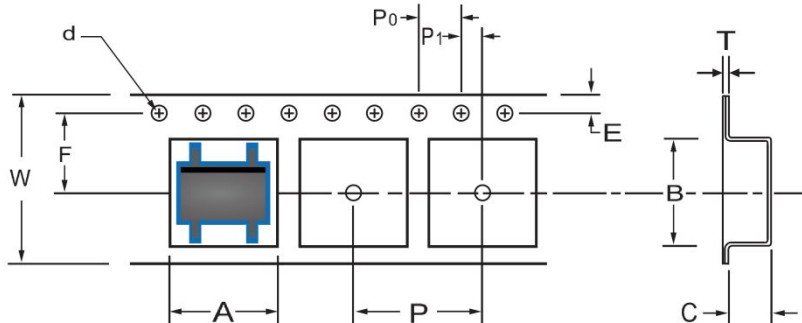


**BRIDGE RECTIFIER**
**DBS Package Outline Dimensions**


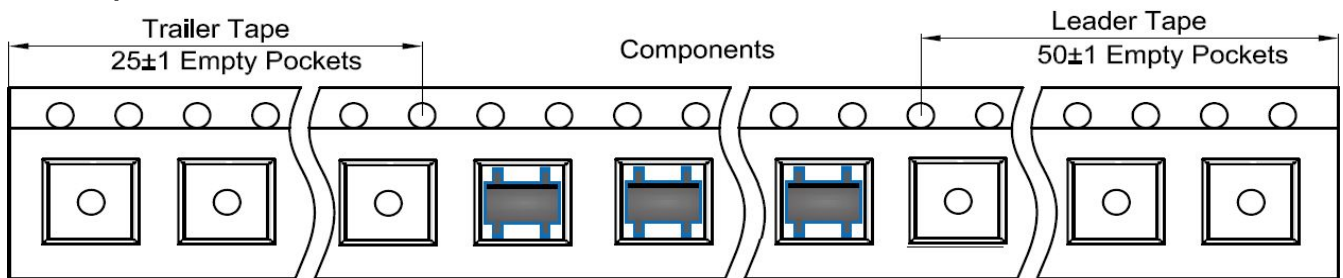
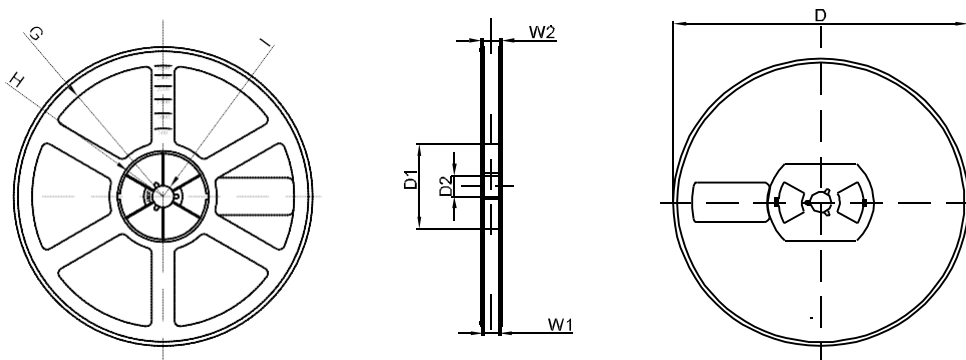
Symbol	Dimensions In Millimeters		Dimensions In Inches	
	Min.	Max.	Min.	Max.
A	7.40	8.50	0.291	0.335
B	6.20	6.50	0.245	0.255
C	0.22	0.33	0.009	0.013
D	0.08	0.33	0.003	0.013
E	9.40	10.40	0.370	0.409
G	1.02	1.53	0.040	0.060
H	8.00	8.74	0.315	0.344
J	2.32	3.40	0.091	0.134
K	5.00	5.20	0.197	0.205
L	0.95	1.20	0.037	0.047

**DBS Suggested Pad Layout**

**Note:**

1. Controlling dimension: in millimeters
2. General tolerance:  $\pm 0.05\text{mm}$
3. The pad layout is for reference purposes only

**BRIDGE RECTIFIER**
**DBS Tape and Reel**
**DBS Embossed Carrier Tape**


DIMENSIONS ARE IN MILLIMETER										
TYPE	A	B	C	d	E	F	P0	P	P1	W
DBS	8.64	10.41	3.50	Ø1.50	1.75	7.50	4.00	12.00	2.00	16.00
TOLERANCE	±0.1	±0.1	±0.1	±0.1	±0.1	±0.1	±0.1	±0.1	±0.1	±0.1

**DBS Tape Leader and Trailer**

**DBS Reel**


DIMENSIONS ARE IN MILLIMETER								
REEL OPTION	D	D1	D2	G	H	I	W1	W2
13" DIA	Ø330	100	21	R165	R50	R6.50	16.4	21.00
TOLERANCE	±2	±1	±1	±1	±1	±1	±1	±1