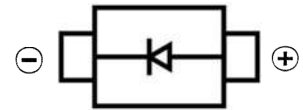


1A SCHOTTKY RECTIFIER
FEATURES

- 1.5W power dissipation package
- 1.0A, forward voltage less than 600mV
- Surface mount device


SMB

MECHANICAL DATA

- Case: SMB(DO-214AA)
- Case material: Molded plastic, UL flammability
- Classification rating: 94V-0
- Terminals: Tin plated, solderable per MIL-STD-750, method 2026
- Moisture sensitivity: Level 1 per J-STD-020
- Weight: 0.088 grams (approximate)

MAXIMUM RATINGS AND CHARACTERISTICS (T_A=25°C unless otherwise specified)

Parameter	Symbol	Value	Unit
Maximum repetitive reverse voltage	V _{RRM}	40	V
Average rectified forward current @ T _L =120°C	I _{F(AV)}	1.0	A
Non-repetitive peak forward surge current (8.3ms, single half sine wave)	I _{FSM}	40	A
Storage temperature range	T _{STG}	-65 ~ +150	°C
Operating junction temperature	T _J	-65 ~ +125	°C
Thermal resistance junction lead	R _{θJL}	12	°C/W

These ratings are limiting values above which the serviceability of the diode may be impaired.

ELECTRICAL CHARACTERISTICS (T_A=25°C unless otherwise specified)

Parameter	Symbol	Max	Unit	Conditions
Forward voltage	V _F	600	mV	I _F =1.0A
Reverse leakage	I _R	1.0	mA	V _R =40V
		10	mA	V _R =40V, T _A =100°C

1A SCHOTTKY RECTIFIER

TYPICAL CHARACTERISTICS

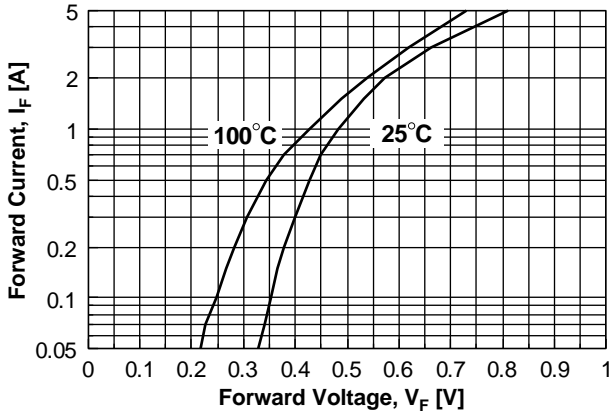


Figure 1. Forward Voltage Characteristics

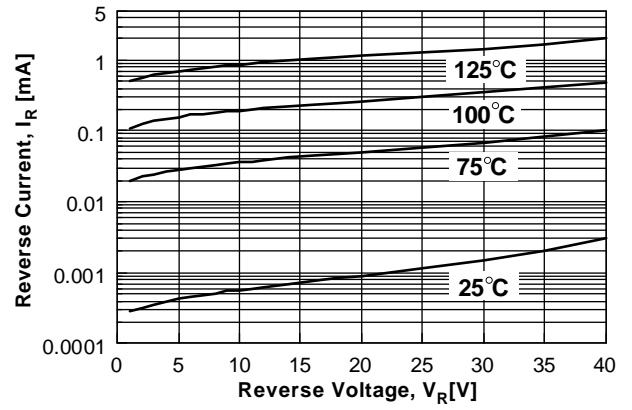


Figure 2. Reverse Current vs Reverse Voltage

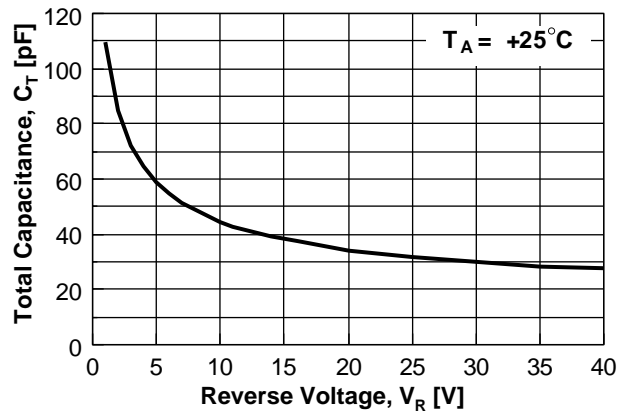
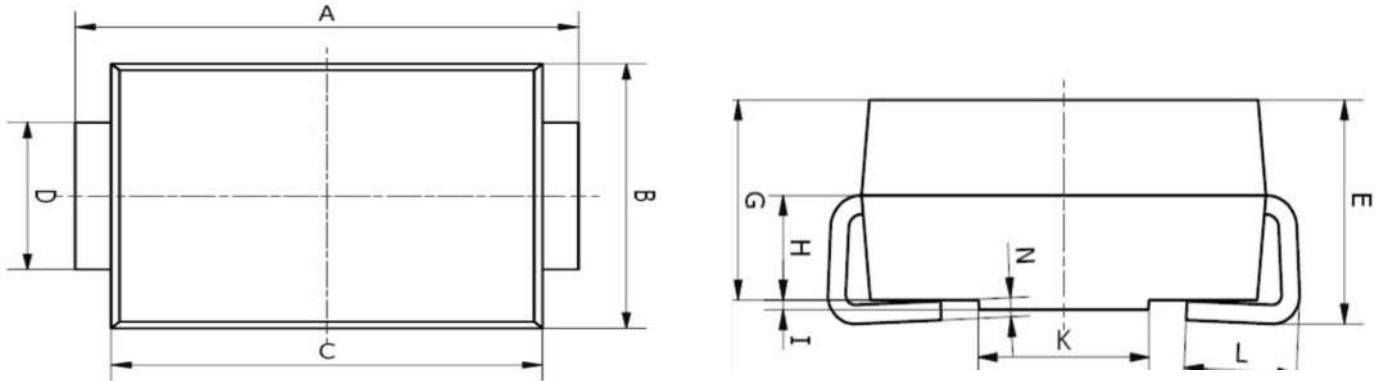
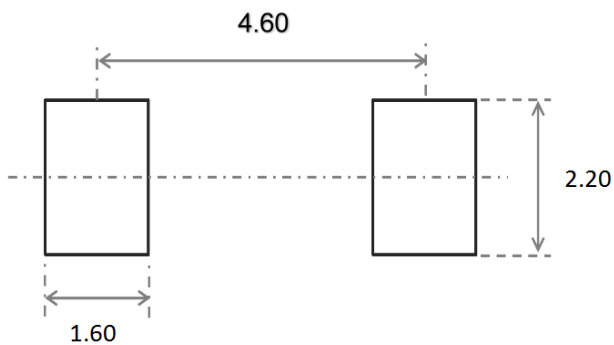


Figure 3. Total Capacitance

1A SCHOTTKY RECTIFIER
SMB PACKAGE OUTLINE DIMENSIONS


Symbol	Dimensions In Millimeters		Dimensions In Inches	
	Min.	Max.	Min.	Max.
A	5.00	5.45	0.197	0.215
B	3.20	4.00	0.126	0.157
C	4.30	4.70	0.169	0.185
D	1.80	2.20	0.071	0.087
E	2.20	2.50	0.087	0.098
G	1.90	2.30	0.075	0.090
H	0.95	1.25	0.037	0.049
I	0.05	0.15	0.002	0.006
K	1.70	2.10	0.067	0.083
L	0.90	1.60	0.035	0.063
N	0.10	0.30	0.004	0.012

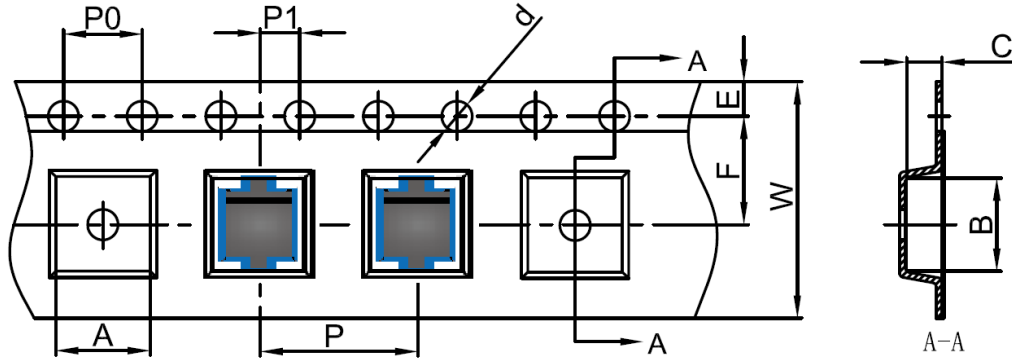
SMB SUGGESTED PAD LAYOUT

Note:

1. Controlling dimension: in millimeters
2. General tolerance: $\pm 0.05\text{mm}$
3. The pad layout is for reference purposes only

1A SCHOTTKY RECTIFIER

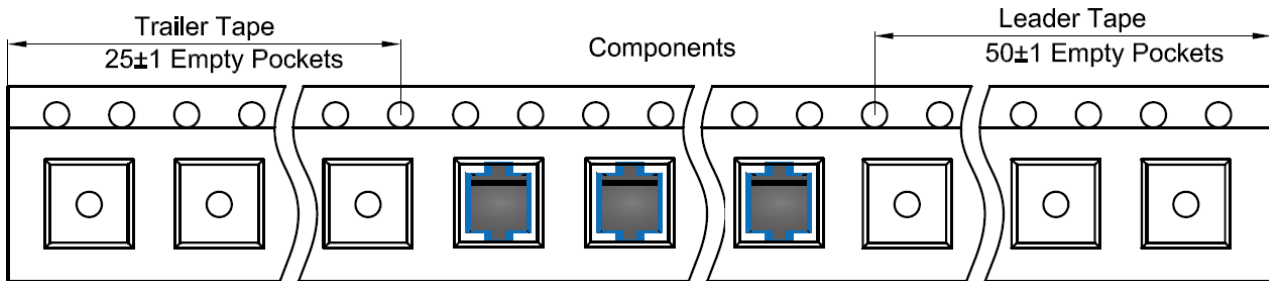
SMB TAPE AND REEL

SMB Embossed Carrier Tape

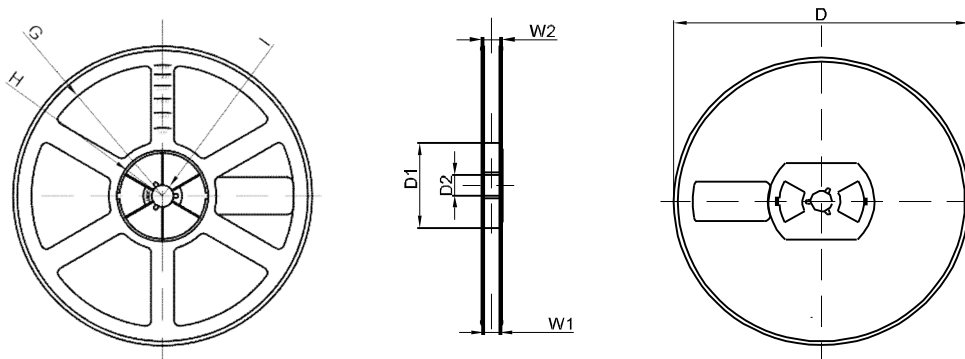


DIMENSIONS ARE IN MILLIMETER										
TYPE	A	B	C	d	E	F	P0	P	P1	W
SMB	4.10	5.50	2.58	Ø1.50	1.75	5.50	4.00	8.00	2.00	12.00
TOLERANCE	±0.1	±0.1	±0.1	±0.1	±0.1	±0.1	±0.1	±0.1	±0.1	±0.1

SMB Tape Leader and Trailer



SMB Reel



DIMENSIONS ARE IN MILLIMETER								
REEL OPTION	D	D1	D2	G	H	I	W1	W2
13" DIA	Ø330	75.0	13.00	R165	R37.50	R6.50	12.40	17.60
TOLERANCE	±2	±1	±1	±1	±1	±1	±1	±1