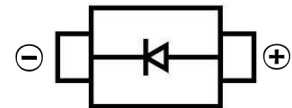


ULTRA FAST RECOVERY RECTIFIER DIODE
FEATURES

- Low reverse leakage current
- Low forward voltage drop, Low power loss
- High current capability
- Surface Mount device


SMB

MECHANICAL DATA

- Case: SMB(DO-214AA)
- Case Material: Molded Plastic. UL flammability
- Classification Rating: 94V-0
- Weight: 0.088 grams (approximate)

MAXIMUM RATINGS AND CHARACTERISTICS (T_A = 25°C unless otherwise noted)

PARAMETER	SYMBOL	MURS240	MURS260	Unit
Maximum repetitive peak reverse voltage	V _{RRM}	400	600	V
Maximum RMS voltage	V _{RMS}	280	420	V
Maximum DC blocking voltage	V _{DC}	400	600	V
Maximum average forward rectified current	I _{F(AV)}	2		A
Peak forward surge current, 8.3 ms single half sine-wave superimposed on rated load	I _{FSM}	35		A
Maximum instantaneous forward voltage (Note 1) @ 1 A, T _J =25°C @ 1 A, T _J =150°C	V _F	1.45		V
Maximum reverse current @ rated VR T _J =25°C T _J =150°C	I _R	5 150		μA
Maximum reverse recovery time (Note 2)	T _{rr}	50		ns
Typical thermal resistance	R _{θJL}	15		°C/W
Operating junction temperature range	T _J	- 65 to +175		°C
Storage temperature range	T _{STG}	- 65 to +175		°C

Note 1: Pulse test with PW=300μs, 1% duty cycle

Note 2: Reverse Recovery Test Conditions: I_F=0.5A, I_R=1.0A, I_{RR}=0.25A

ULTRA FAST RECOVERY RECTIFIER DIODE

Typical Characteristics

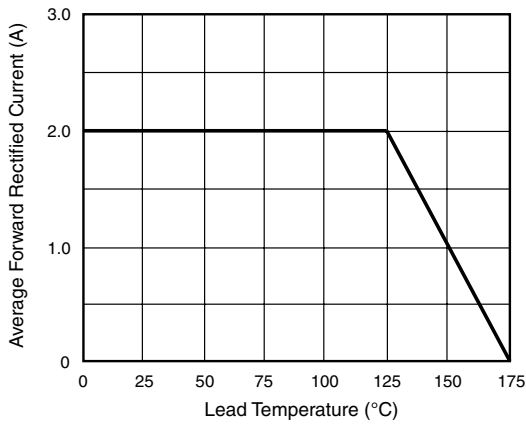


Figure 1. Forward Current Derating Curve

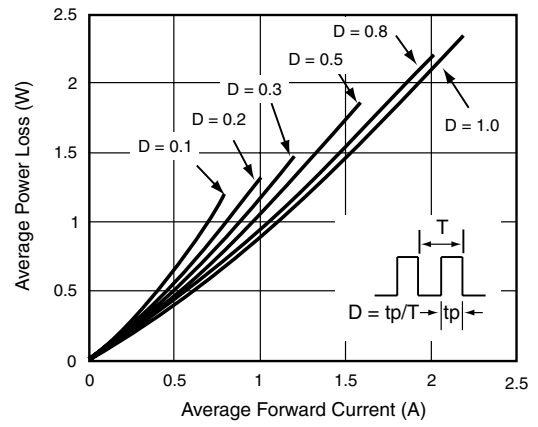


Figure 2. Forward Power Loss Characteristics

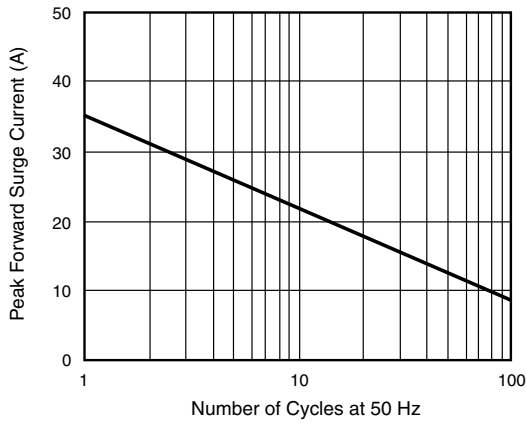


Figure 3. Maximum Non-Repetitive Peak Forward Surge Current

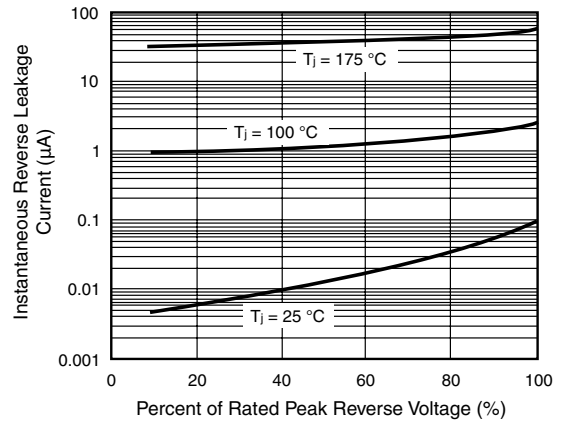


Figure 5. Typical Reverse Leakage Characteristics

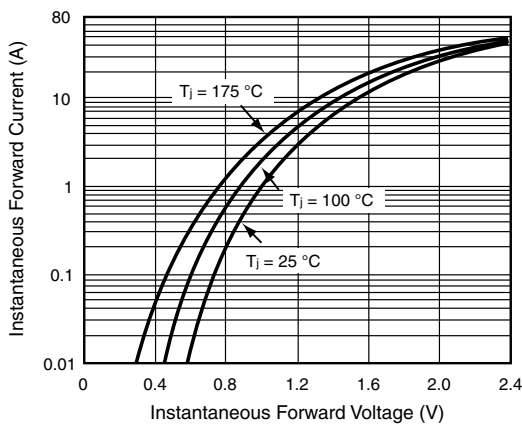


Figure 4. Typical Instantaneous Forward Characteristics

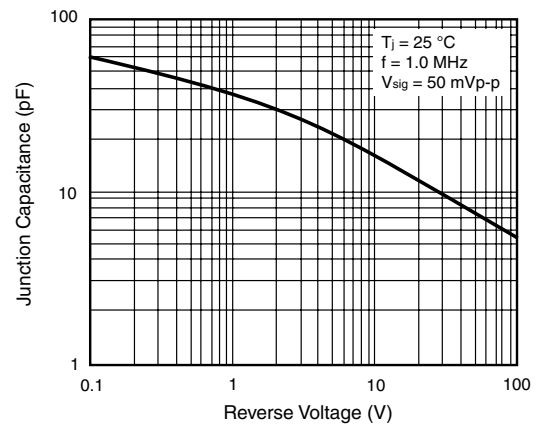
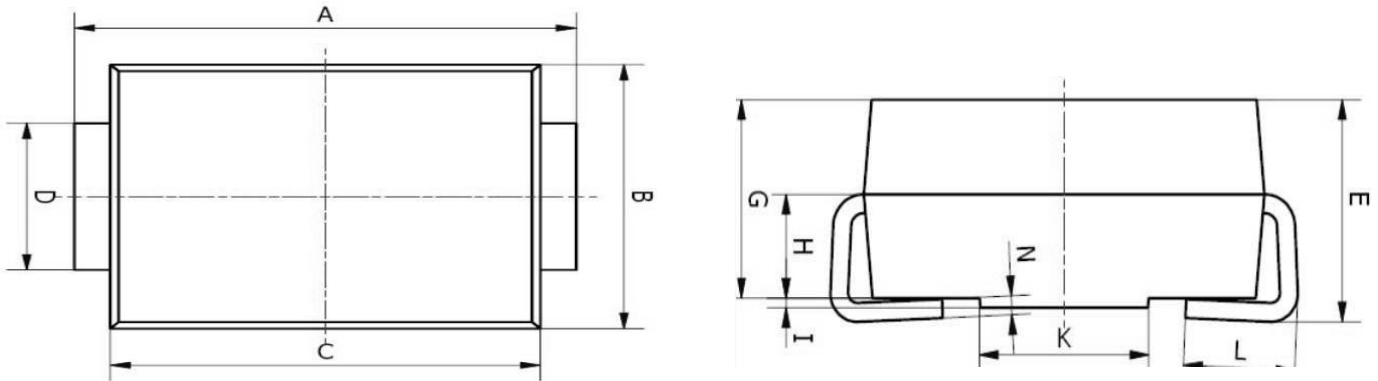
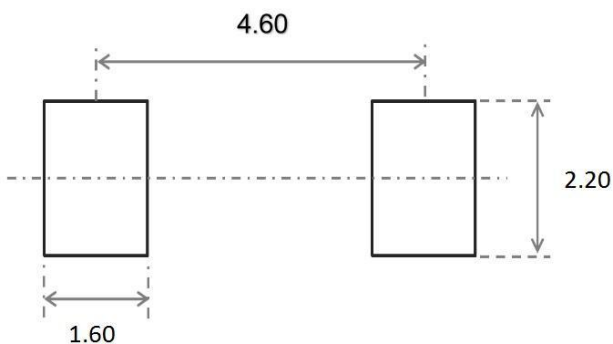


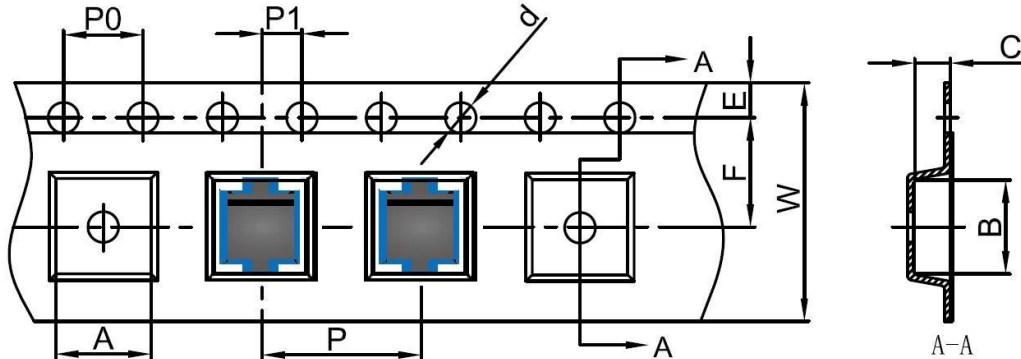
Figure 6. Typical Junction Capacitance

ULTRA FAST RECOVERY RECTIFIER DIODE
SMB Package Outline Dimensions


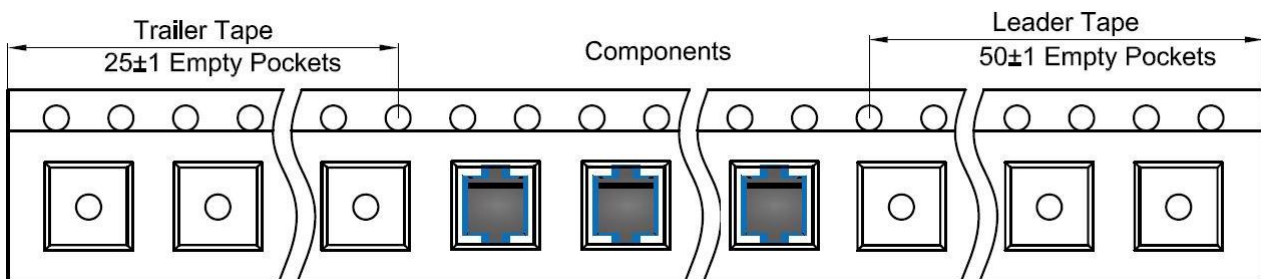
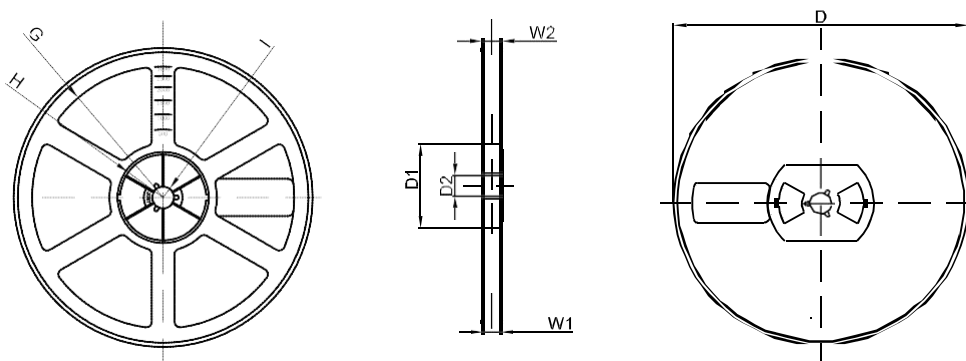
Symbol	Dimensions In Millimeters		Dimensions In Inches	
	Min.	Max.	Min.	Max.
A	5.00	5.45	0.197	0.215
B	3.20	4.00	0.126	0.157
C	4.30	4.70	0.169	0.185
D	1.80	2.20	0.071	0.087
E	2.20	2.50	0.087	0.098
G	1.90	2.30	0.075	0.090
H	0.95	1.25	0.037	0.049
I	0.05	0.15	0.002	0.006
K	1.70	2.10	0.067	0.083
L	0.90	1.60	0.035	0.063
N	0.10	0.30	0.004	0.012

SMB Suggested Pad Layout

Note:

1. Controlling dimension: in millimeters
2. General tolerance: $\pm 0.05\text{mm}$
3. The pad layout is for reference purposes only

ULTRA FAST RECOVERY RECTIFIER DIODE
SMB Tape and Reel
SMB Embossed Carrier Tape


DIMENSIONS ARE IN MILLIMETER										
TYPE	A	B	C	d	E	F	P0	P	P1	W
SMB	4.10	5.50	2.58	Ø1.50	1.75	5.50	4.00	8.00	2.00	12.00
TOLERANCE	±0.1	±0.1	±0.1	±0.1	±0.1	±0.1	±0.1	±0.1	±0.1	±0.1

SMB Tape Leader and Trailer

SMB Reel


DIMENSIONS ARE IN MILLIMETER								
REEL OPTION	D	D1	D2	G	H	I	W1	W2
13" DIA	Ø330	75.0	13.00	R165	R37.50	R6.50	12.40	17.60
TOLERANCE	±2	±1	±1	±1	±1	±1	±1	±1