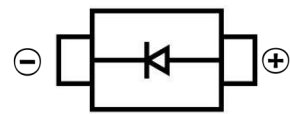


ULTRA FAST RECOVERY RECTIFIER DIODE
FEATURES

- Glass passivated junction
- Low reverse leakage current
- Low forward voltage drop
- High current capability
- Surface Mount device


SMC

MECHANICAL DATA

- Case: SMC(DO-214AB)
- Case Material: Molded Plastic. UL flammability
- Classification Rating: 94V-0
- Moisture Sensitivity: Level 1 per J-STD-020
- Weight: 0.21 grams (approximate)

MAXIMUM RATINGS AND CHARACTERISTICS (T_A = 25°C unless otherwise noted)

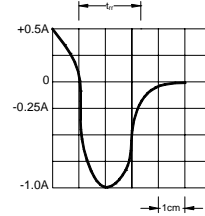
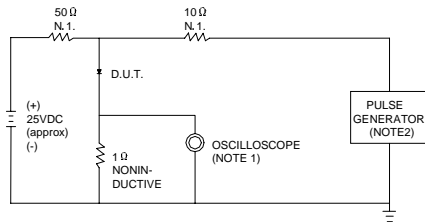
Parameter	Symbol	Value	Unit
Maximum Recurrent Peak Reverse Voltage	V _{RRM}	1000	V
DC Blocking Reverse Voltage	V _R	1000	V
RMS Reverse Voltage	V _{R(RMS)}	700	V
Maximum Average Forward Rectified Current	I _F	5	A
Non-Repetitive Peak Forward Surge Current @t=8.3ms	I _{FSM}	100	A
Thermal Resistance From Junction To Ambient	R _{θJA}	15	°C/W
Reverse Recovery Time(@I _F =0.5A, I _R =1.0A, I _{RR} =0.25A)	t _{rr}	75	nS
Junction Temperature	T _J	-55 ~+150	°C
Storage Temperature	T _{STG}	-55 ~+150	°C

ELECTRICAL CHARACTERISTICS (T_A = 25°C unless otherwise specified)

Parameter	Symbol	Min	Typ	Max	Unit	Conditions
Forward voltage	V _F			1.7	V	I _F =5A
Reverse current @T _A =25°C	I _R			10	μA	V _R =1000V
Reverse current @T _A =125°C	I _R			300	μA	V _R =1000V
Diode capacitance	C _D		12		pF	V _R =4V, f=1MHz

ULTRA FAST RECOVERY RECTIFIER DIODE

Typical Characteristics



NOTES:1.RISE TIME = 7ns MAX.INPUT IMPEDANCE = 1MΩ .22pF.
2.RISE TIME =10ns MAX.SOURCE IMPEDANCE=50 Ω .

SET TIME BASE FOR 20/30 ns/cm

FIG.2 – TYPICAL FORWARD CHARACTERISTIC

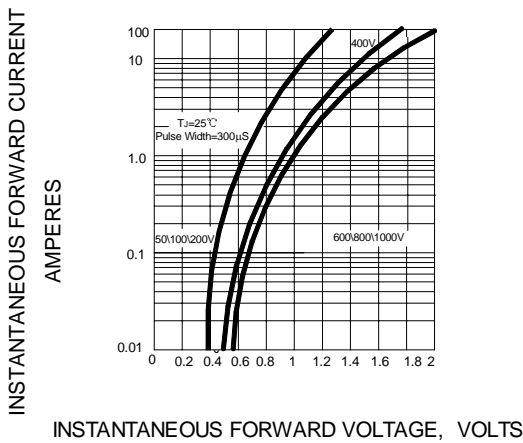


FIG.3 – FORWARD DERATING CURVE

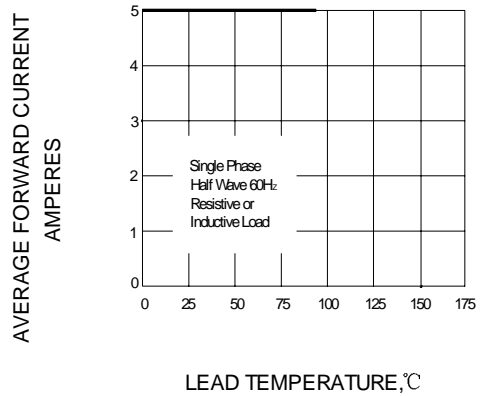


FIG.4 – TYPICAL JUNCTION CAPACITANCE

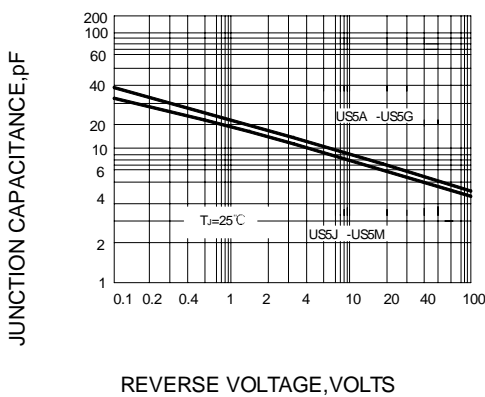
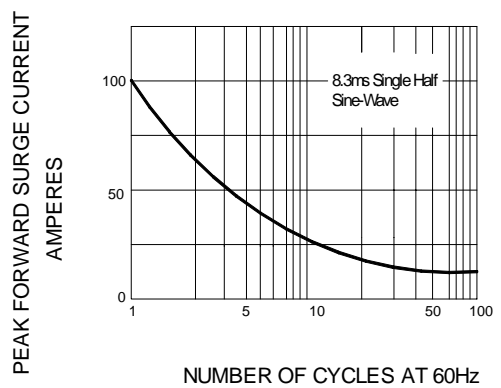
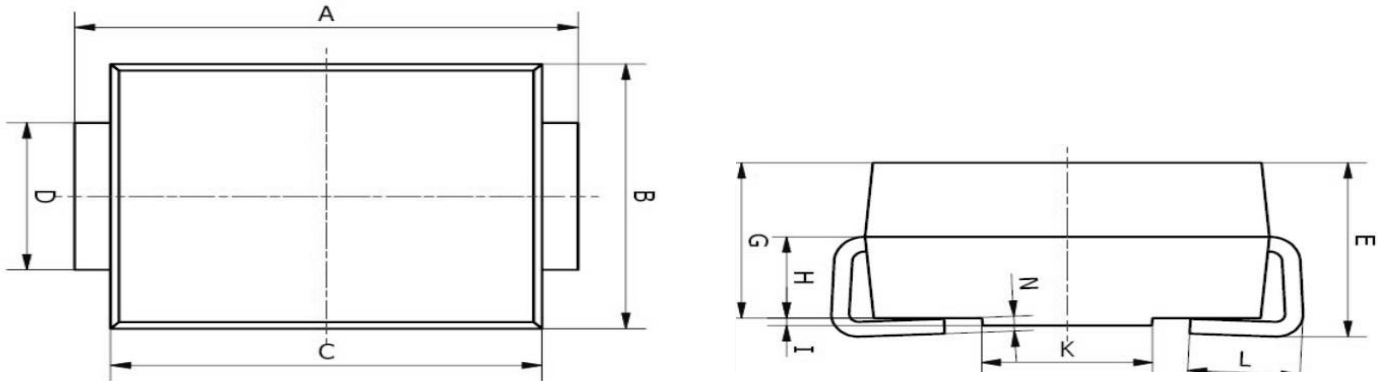


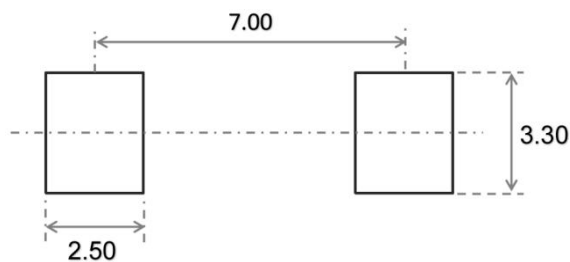
FIG.5 – PEAK FORWARD SURGE CURRENT



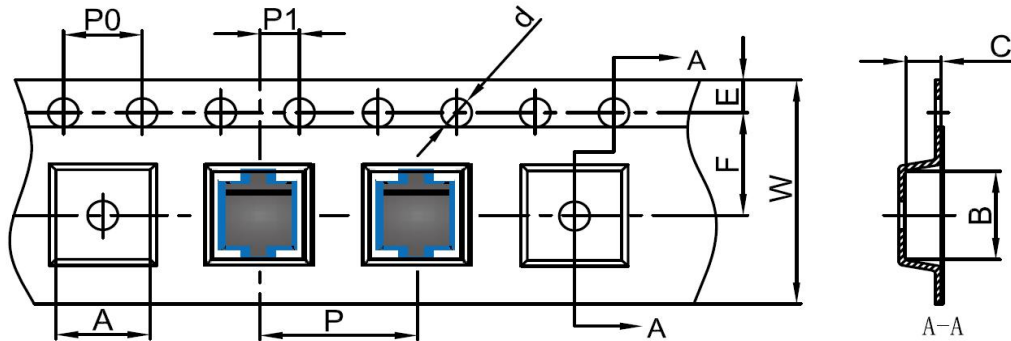
The cruve graph is for reference only, can't be the basis for judgment(曲线图仅供参考)!

ULTRA FAST RECOVERY RECTIFIER DIODE
SMC Package Outline Dimensions


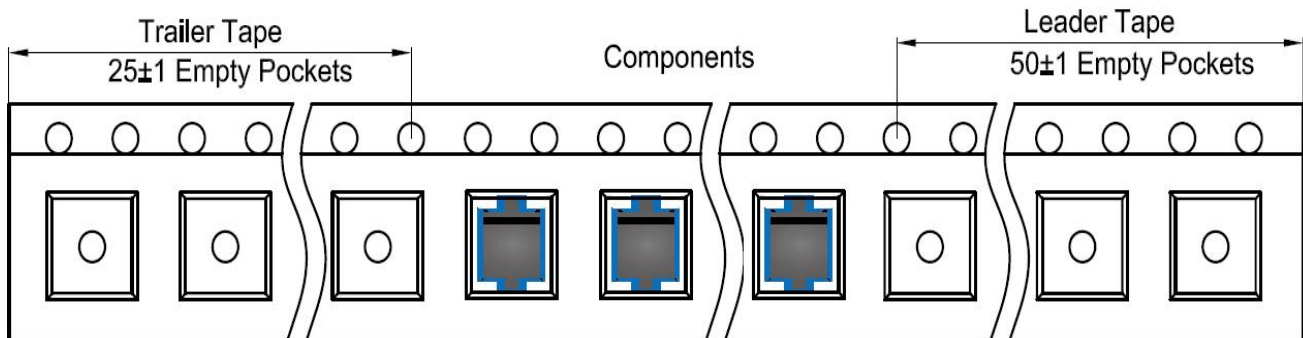
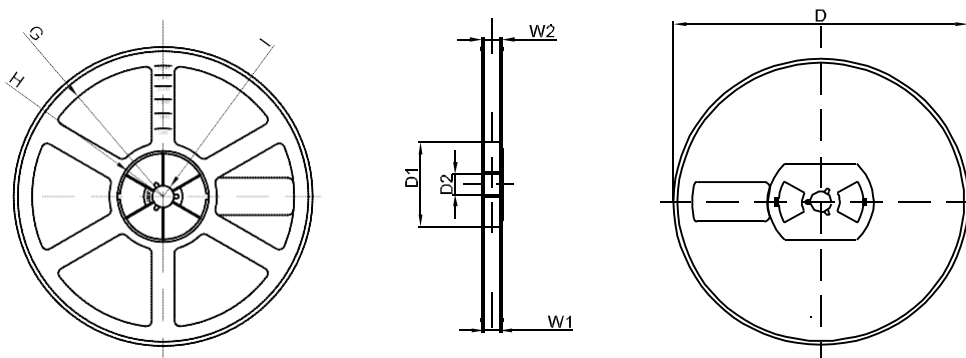
Symbol	Dimensions In Millimeters		Dimensions In Inches	
	Min.	Max.	Min.	Max.
A	7.75	8.13	0.305	0.320
B	5.59	6.22	0.220	0.245
C	6.60	7.11	0.260	0.280
D	2.75	3.25	0.108	0.128
E	2.25	2.82	0.089	0.111
G	2.00	2.62	0.079	0.103
H	1.26	1.56	0.050	0.061
I	0.05	0.15	0.002	0.006
K	4.30	6.00	0.169	0.236
L	1.25	1.75	0.049	0.069
N	0.10	0.30	0.004	0.012

SMC Suggested Pad Layout

Note:

1. Controlling dimension: in millimeters
2. General tolerance: $\pm 0.05\text{mm}$
3. The pad layout is for reference purposes only

ULTRA FAST RECOVERY RECTIFIER DIODE
SMC Tape and Reel
SMC Embossed Carrier Tape


DIMENSIONS ARE IN MILLIMETER										
TYPE	A	B	C	d	E	F	P0	P	P1	W
SMC	6.3	8.25	2.90	Ø1.55	1.75	7.50	4.00	8.00	2.00	16.00
TOLERANCE	±0.1	±0.1	±0.1	±0.1	±0.1	±0.1	±0.1	±0.1	±0.1	±0.1

SMC Tape Leader and Trailer

SMC Reel


DIMENSIONS ARE IN MILLIMETER								
REEL OPTION	D	D1	D2	G	H	I	W1	W2
13" DIA	Ø330	100	21	R165	R50	R6.50	16.4	21.00
TOLERANCE	±2	±1	±1	±1	±1	±1	±1	±1