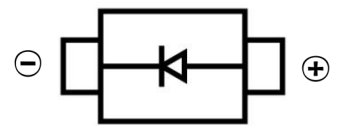


**SCHOTTKY BARRIER DIODE**
**FEATURES**

- Low Reverse voltage leakage current
- Small Surface Mount device
- Low power loss, high efficiency
- High forward surge current capability
- For use in low voltage, high frequency inverters, free wheeling, and polarity protection applications


**SMAF**
**MECHANICAL DATA**

- Case: SMAF
- Case Material: Molded Plastic. UL flammability
- Classification Rating: 94V-0
- Moisture Sensitivity: Level 1 per J-STD-020
- Weight: 0.027 grams (approximate)


**MAXIMUM RATINGS (T<sub>A</sub> = 25°C unless otherwise noted)**

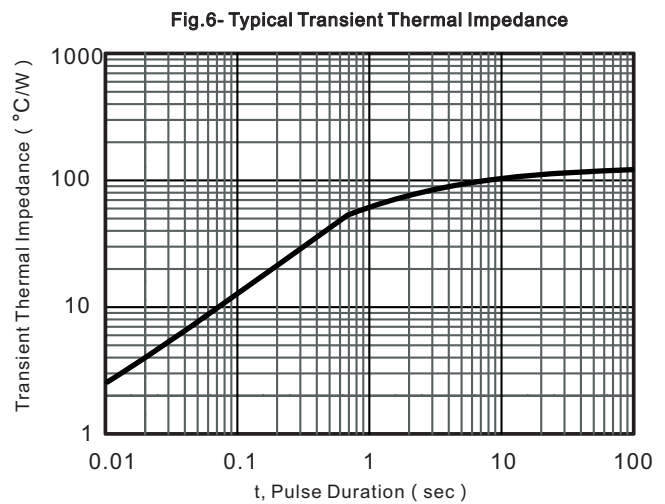
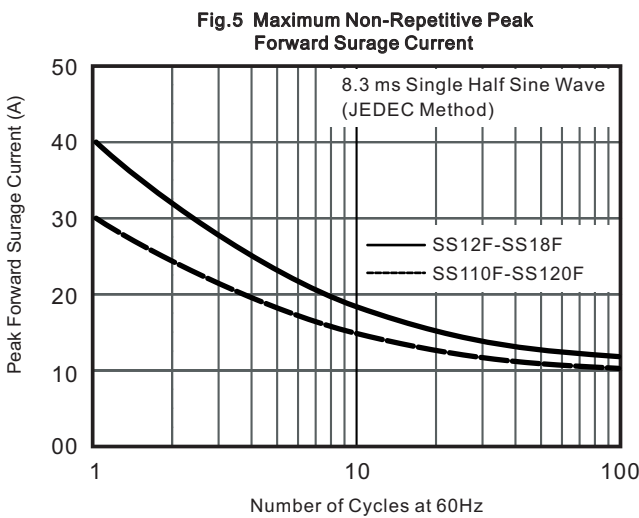
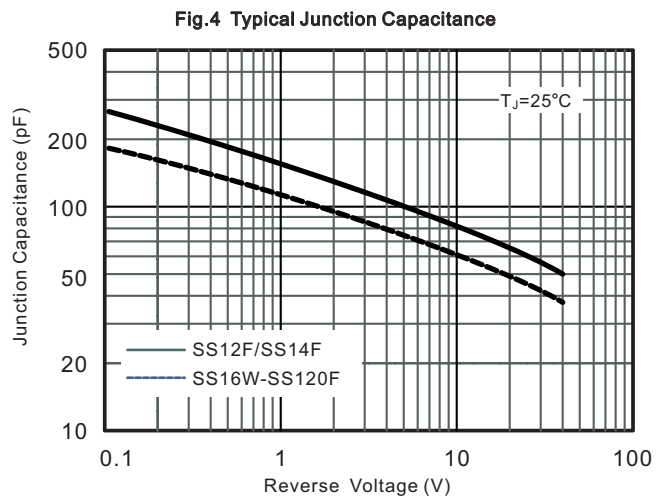
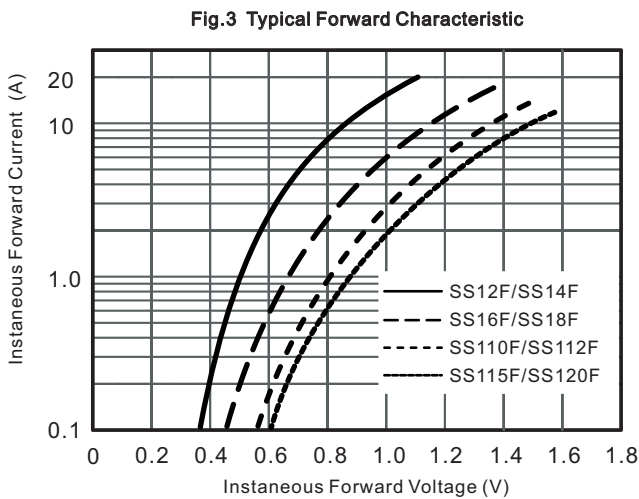
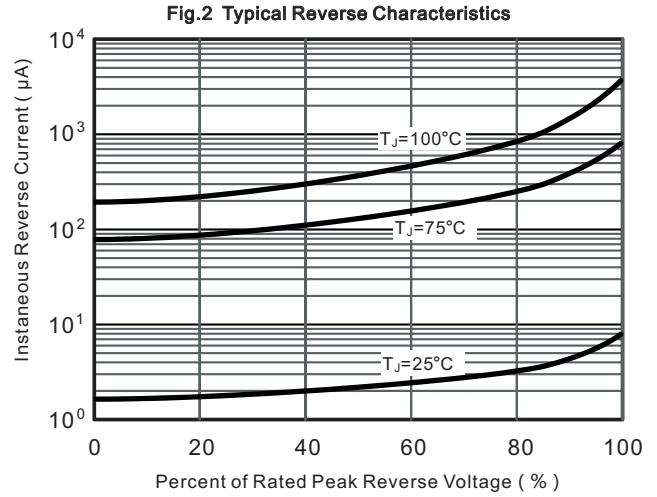
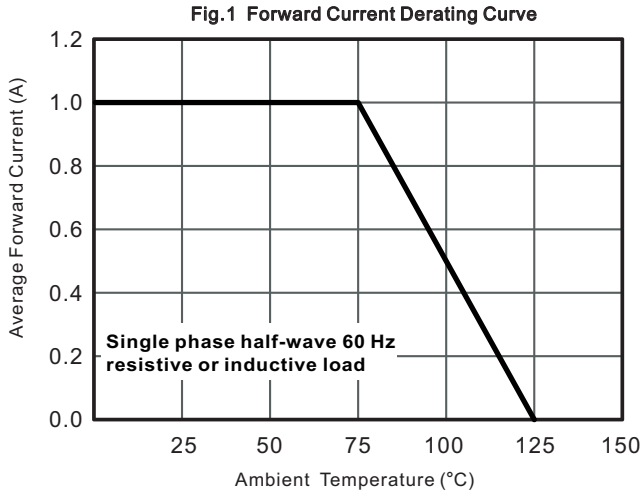
Parameter	Symbol	Value	Unit
Repetitive peak reverse voltage	V <sub>RRM</sub>	20	V
DC Reverse Voltage	V <sub>R</sub>	20	V
RMS Reverse Voltage	V <sub>RMS</sub>	14	V
Non-Repetitive Peak Forward Surge Current @ t = 8.3 ms	I <sub>FSM</sub>	40	A
Mean rectifying current	I <sub>F</sub>	1	A
Thermal Resistance From Junction To Ambient	R <sub>θJA</sub>	115	°C/W
Junction Temperature	T <sub>J</sub>	125	°C
Storage Temperature	T <sub>STG</sub>	-55 ~+150	°C

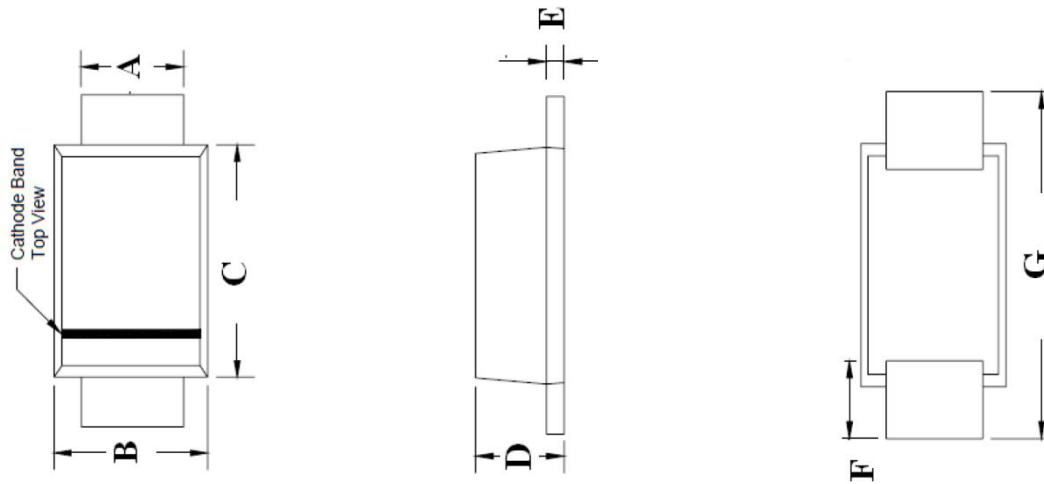
**ELECTRICAL CHARACTERISTICS (T<sub>A</sub> = 25°C unless otherwise specified)**

Parameter	Symbol	Min	Max	Unit	Conditions
Forward voltage	V <sub>F</sub>		0.55	V	I <sub>F</sub> =1A
Reverse current T=25°C	I <sub>R</sub>		0.30	mA	V <sub>R</sub> =20V
Reverse current T=100°C	I <sub>R</sub>		10	mA	V <sub>R</sub> =20V
Junction capacitance	C <sub>J</sub>		110	pF	V=4V,f=1MH

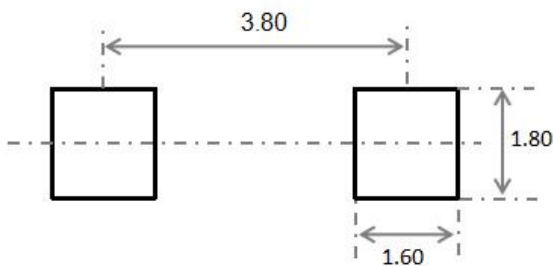
SCHOTTKY BARRIER DIODE

**Typical Characteristics**

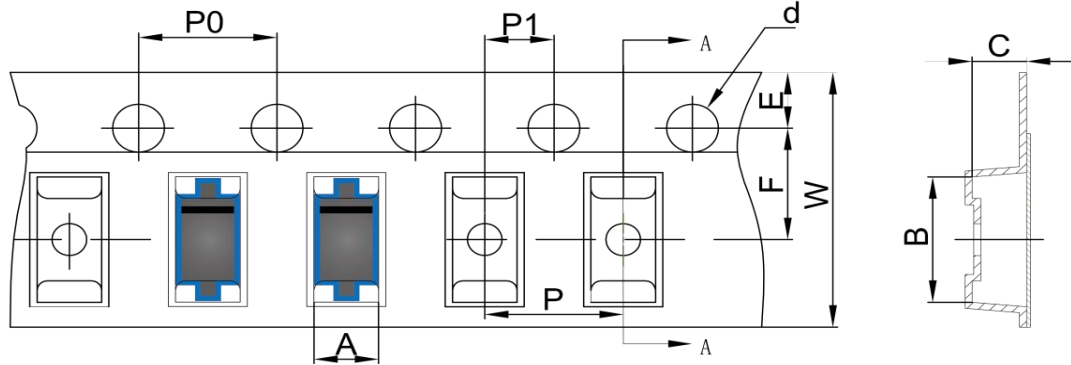


**SCHOTTKY BARRIER DIODE**
**SMAF Package Outline Dimensions**


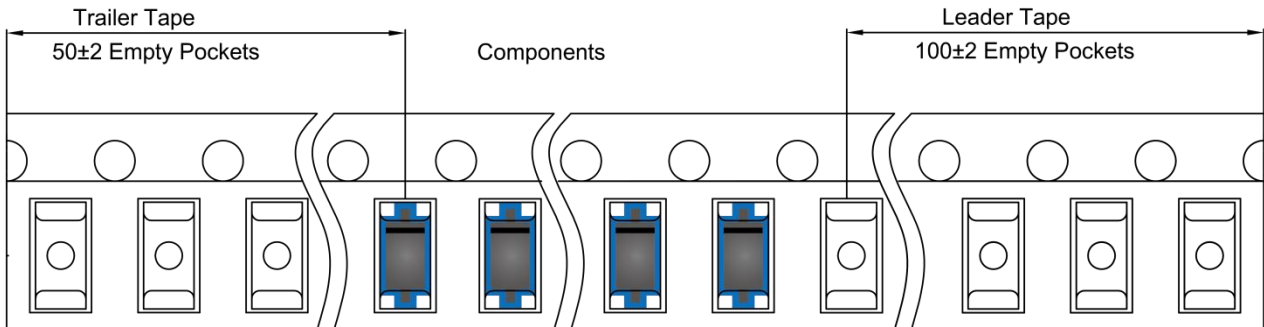
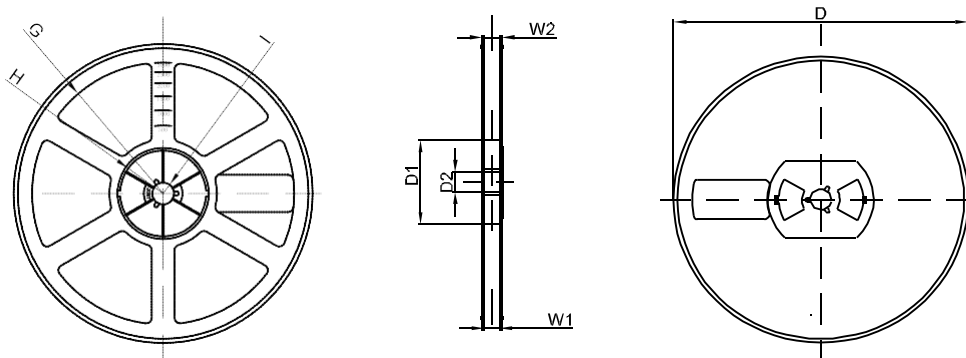
Symbol	Dimensions In Millimeters		Dimensions In Inches	
	Min.	Max.	Min.	Max.
A	1.30	1.60	0.051	0.063
B	2.40	2.80	0.094	0.110
C	3.25	3.65	0.128	0.144
D	1.10	1.40	0.043	0.055
E	0.15	0.25	0.006	0.010
F	0.70	1.20	0.028	0.047
G	4.40	4.90	0.173	0.193

**SMAF Suggested Pad Layout**

**Note:**

1. Controlling dimension: in millimeters
2. General tolerance:  $\pm 0.05\text{mm}$
3. The pad layout is for reference purposes only

**SCHOTTKY BARRIER DIODE**
**SMAF Tape and Reel**
**SMAF Embossed Carrier Tape**


DIMENSIONS ARE IN MILLIMETER										
TYPE	A	B	C	d	E	F	P0	P	P1	W
SMAF	2.79	5.35	1.48	Ø1.50	1.75	5.50	4.00	4.00	2.00	12.00
TOLERANCE	±0.1	±0.1	±0.1	±0.1	±0.1	±0.1	±0.1	±0.1	±0.1	±0.1

**SMAF Tape Leader and Trailer**

**SMAF Reel**


DIMENSIONS ARE IN MILLIMETER								
REEL OPTION	D	D1	D2	G	H	I	W1	W2
7" DIA	Ø178	54.40	13.00	R78	R25.60	R6.50	12.40	17.60
TOLERANCE	±2	±1	±1	±1	±1	±1	±1	±1