

60X60X38 mm

JF0638-11 Series



- **Frame** : Plastic Material UL 94V-0
- **Impeller** : Plastic Material UL 94V-0
- **Speed Range** : ±10%

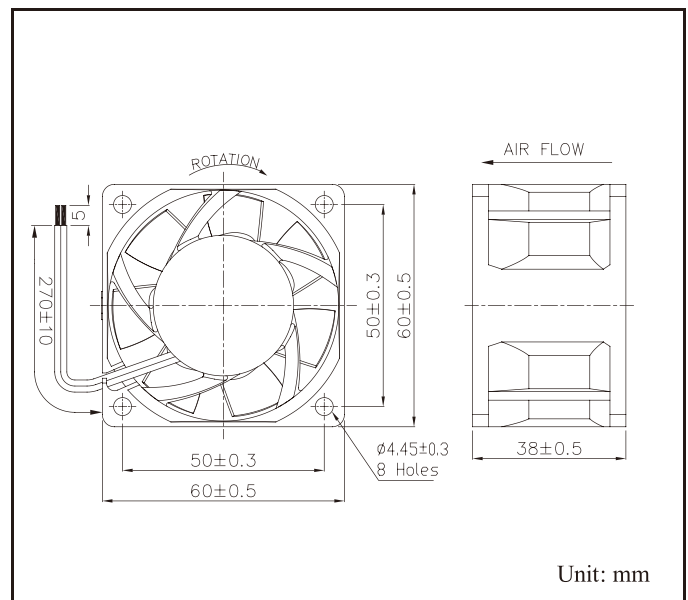
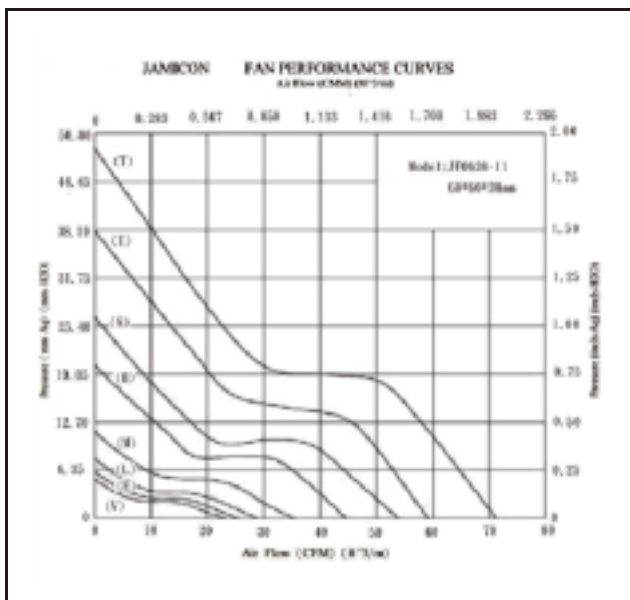
SPECIFICATIONS

| Model | Bearing | Rated Voltage (V) | Operating Voltage (V) | Air Flow (CFM) | Static Pressure (inchH ₂ O) | Speed (R.P.M.) | Input Current (Amp) | Input Power (Watt) | Nominal Current (Amp) | Noise (dBA) | Weight (g) |
|------------|---------|-------------------|-----------------------|----------------|--|----------------|---------------------|--------------------|-----------------------|-------------|------------|
| JF0638B1TR | B | 12 | 10.2 ~ 13.8 | 71.27 | 1.924 | 12000 | 1.46 | 17.52 | 1.61 | 64.3 | 113 |
| JF0638B1UR | | | | 59.14 | 1.497 | 10500 | 0.92 | 11.04 | 1.01 | 59.5 | |
| JF0638B1SR | | | | 53.92 | 1.049 | 9000 | 0.59 | 7.08 | 0.65 | 53.8 | |
| JF0638B1HR | | | | 44.54 | 0.800 | 7500 | 0.40 | 4.80 | 0.44 | 49.2 | |
| JF0638B1MR | | | | 35.53 | 0.452 | 6000 | 0.23 | 2.76 | 0.25 | 44.4 | |
| JF0638B1LR | | | | 28.89 | 0.310 | 5000 | 0.18 | 2.16 | 0.20 | 37.4 | |
| JF0638B1ER | | | | 25.35 | 0.241 | 4500 | 0.13 | 1.56 | 0.14 | 35.4 | |
| JF0638B1VR | | | | 23.10 | 0.203 | 4000 | 0.10 | 1.20 | 0.11 | 33.2 | |
| JF0638B2TR | B | 24 | 20.4 ~ 27.6 | 71.27 | 1.924 | 12000 | 0.77 | 18.48 | 0.85 | 64.3 | |
| JF0638B2UR | | | | 59.14 | 1.497 | 10500 | 0.48 | 11.52 | 0.53 | 59.5 | |
| JF0638B2SR | | | | 53.92 | 1.049 | 9000 | 0.35 | 8.40 | 0.39 | 53.8 | |
| JF0638B2HR | | | | 44.54 | 0.800 | 7500 | 0.19 | 4.56 | 0.21 | 49.2 | |
| JF0638B2MR | | | | 35.53 | 0.452 | 6000 | 0.14 | 3.36 | 0.15 | 44.4 | |
| JF0638B2LR | | | | 28.89 | 0.310 | 5000 | 0.12 | 2.88 | 0.13 | 37.4 | |
| JF0638B2ER | | | | 25.35 | 0.241 | 4500 | 0.08 | 1.92 | 0.09 | 35.4 | |
| JF0638B2VR | | | | 23.10 | 0.203 | 4000 | 0.07 | 1.68 | 0.08 | 33.2 | |

Specifications subject to change without notice

The 7TH character of Model No means the bearing code. Please refer to the page "PART NUMBER SYSTEM".

Please contact us for detail if your request bearing system is not shown in the above list.



Unit: mm