

# DC AXIAL FAN

JAMICON®

80X80X25 mm

JF0825-01 Series

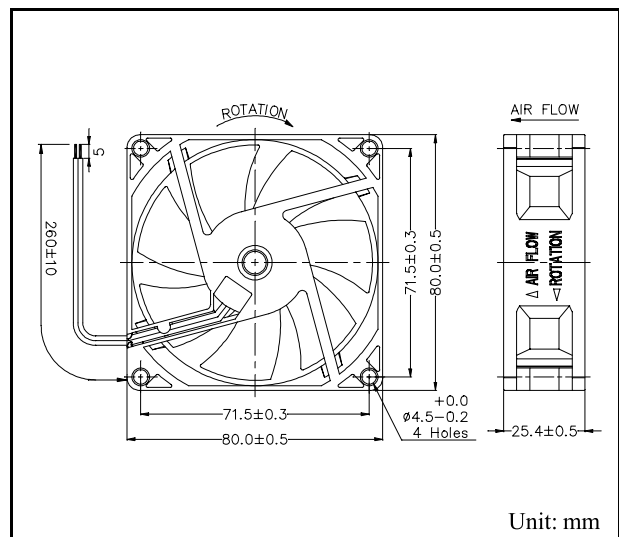
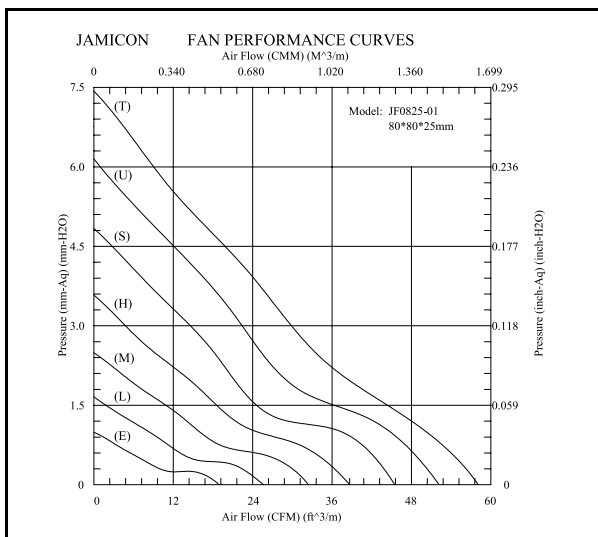


- **Frame** : Plastic Material UL 94V-0
- **Impeller** : Plastic Material UL 94V-0
- **Speed Range** : ±10%

SPECIFICATIONS											
Model	Bearing	Rated Voltage (V)	Operating Voltage (V)	Air Flow (CFM)	Static Pressure (inchH <sub>2</sub> O)	Speed (R.P.M.)	Input Current (Amp)	Input Power (Watt)	Nominal Current (Amp)	Noise (dBA)	Weight (g)
JF0825-1UR	B, H	12	10.2 ~ 13.8	52.20	0.242	4000	0.37	4.44	0.37	40.7	73
JF0825-1SR	B, H, S			45.50	0.191	3500	0.26	3.12	0.26	36.7	
JF0825-1H	B, H, S			38.39	0.141	3000	0.19	2.28	0.19	32.1	
JF0825-1M	B, H, S			32.41	0.098	2500	0.13	1.56	0.15	28.8	
JF0825-1L	B, H, S			25.66	0.065	2000	0.09	1.08	0.10	22.4	
JF0825-1E	B, H, S			18.93	0.039	1500	0.06	0.72	0.06	13.9	
JF0825-2TR	B, H	24	20.4 ~ 27.6	58.10	0.293	4500	0.27	6.48	0.27	43.9	
JF0825-2UR				52.20	0.242	4000	0.21	5.04	0.21	40.7	
JF0825-2SR	B, H, S			45.50	0.191	3500	0.16	3.84	0.17	36.7	
JF0825-2H	B, H, S			38.39	0.141	3000	0.13	3.12	0.15	32.1	
JF0825-2M	B, H, S			32.41	0.098	2500	0.10	2.40	0.13	28.8	
JF0825-2L	B, H, S			25.66	0.065	2000	0.08	1.92	0.10	22.4	
JF0825-2E	B, H, S	18.93	0.039	1500	0.04	0.96	0.05	13.9			
JF0825B4SR	Dual Ball	48	40.8 ~ 60.0	45.50	0.191	3500	0.10	4.80	0.10	36.7	
JF0825B4HR				38.39	0.141	3000	0.08	3.84	0.08	32.1	
JF0825B4MR				32.41	0.098	2500	0.06	2.88	0.06	28.8	
JF0825B4LR				25.66	0.065	2000	0.05	2.40	0.05	22.4	

Specifications subject to change without notice

The 7<sup>TH</sup> character of Model No means the bearing code. Please refer to the page "PART NUMBER SYSTEM". Please contact us for detail if your request bearing system is not shown in the above list.



Unit: mm