

CONTENTS

目录

DC轴流风机 99/147

DC Axial Fan



DC离心风机 148/162

DC Centrifugal Fan



本样册仅做选型参考,具体以规格书为准。
This sample book is for reference only. Please refer to the specification for details.
如需特殊电压也可根据洽询提供, 本公司保留技术改动权利。
Special voltage may be provided if necessary according to the inquiry. Jiulong all technical modification rights reserved.

Fan Part Number Definition

JL 80 25 M 12 S - P F 1 A
[1] [2] [3] [4] [5] [6] [7] [8] [9] [10] [11]

【1】公司代码,以1码表示

JL: 九龙

【2】外型尺寸,以2码表示

25: 25x25mm	30: 30x30mm
40: 40x40mm	50: 50x50mm
52: 52x52mm	60: 60x60mm
70: 70x70mm	80: 80x80mm
92: 92x92mm	12: 120x120mm
17: 172x150mm	20: 200*200mm

【3】外型厚度,以2码表示

07: 7mm	08: 8mm
10: 10mm	15: 15mm
20: 20mm	25: 25mm
28: 28mm	38: 38mm
51: 51mm	60: 60mm

【4】转速,以1或2码表示

S: SUPER LOW	L: LOW SPEED
M: MIDDLE SPEED	H: HIGH SPEED
U: SUPER HIGH	

【5】电压,以2码表示

DC电压:

03: 03V	05: 05V
12: 12V	24: 24V
48: 48V	110: D1V

AC电压:

110V: A1V	220V: A2V
-----------	-----------

【6】轴承,以1码表示

S: SLEEVE BEARING
B: 2 BALL BEARING

【7】分隔符,无实际意义。

【8】FUNCTION,以1码表示

N: NORMAL, 没有AUTO RESTART功能
R: 带有AUTO RESTART功能
T: 温控
W: 防水(Waterproof)
P: PWM CONTROL
L: 带LED
O: OTHER OPTION

【9】电性信号输出,以1码表示

N: 无信号输出
F: FG
H: RD/HIGH
L: RD/LOW
O: OTHER OPTION

【10】框叶特性,以1码表示

1: 普通PBT(黑色)框叶
2: 轴流支架底座
3: Blower框叶
4: 静翼框
5: 涡轮转子(离心机)
6: 液压框
7: 框+护网
8: PC框叶+LED
9: 表示OTHER OPTION

【11】线材标签特性,以1码表示

九龙电机

GENERAL SPECIFICATIONST

OPERATING TEMPERATURE

- ◆ Ball Bearings..... -10°C to +70°C /15%~60%RH

BEARING SYSTEM LIFE

- ◆ 2 Ball Bearings..... 70,000 hours @ 45°C
- ◆ Sleeve Bearings.....30,000 hours @ 45°C

IMPELLER/FRAME

- ◆ Material..... PBT + Glass Fiber
- ◆ Flammability..... UL94V-0
- ◆ Color.....Black is standard

STORAGE TEMPERATURE

- ◆ ALL..... -40°C to +70°C

INSULATION RESISTANCE

- ◆ Standard..... Min.10 MΩ at 500VDC between frame and (+)terminal

DIELECTRIC STRENGTH

- ◆ Standard..... -40°C to +70°C

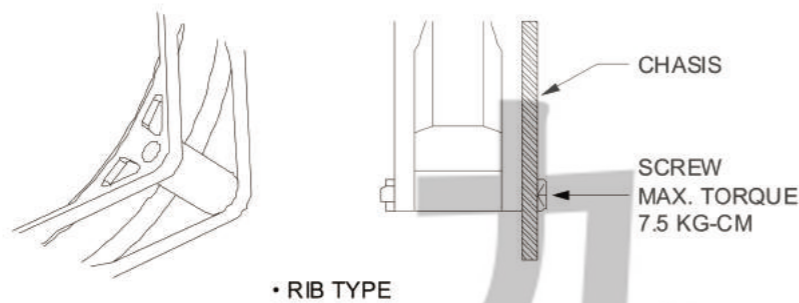
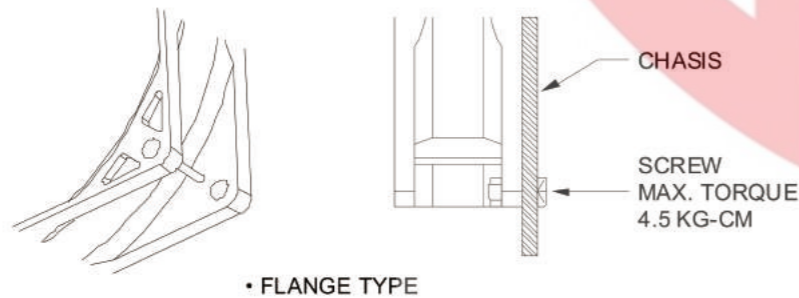
INSULATION RESISTANCE

- ◆ Standard..... 5mA max.at 500VAC 60Hz 1 minute between frame at (+)terminal

NOISE DATE

- ◆ Noise measurements are performed in an Anechoic Chamber with less than 19dBA background noise in compliance with ISO7779 standards.1m from intake side.

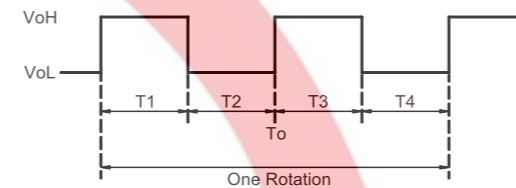
FRAME TYPE



Pulse Sensor/ Tachometer Signal/ FG

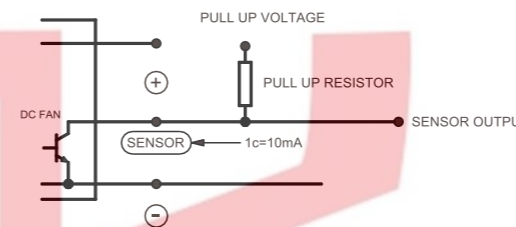
Pulse Sensor is for detecting the rotational speed of the fan motor. At locked rotor condition, the signal stops cycling and the output fix at VH or VL.

Output Waveform



$T1-4 = (1/4) T$
 $N = \text{Fan Rotational Speed (min}^{-1}\text{)}$

FG Signal Output Circuit:
Open Collector



Lock Sensor/ Rotation Detector

Lock Sensor is used to detect the fan motor is operating or stopped.

Output Waveform

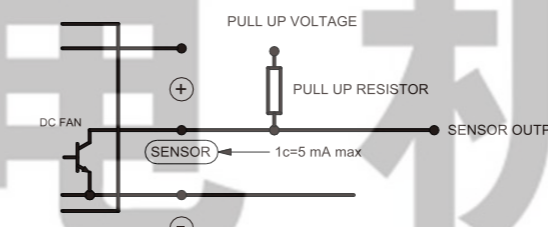
Alarm High: The output will be logical low when fan is operating and be logical high when fan motor is locked.



Alarm Low: The output will be logical low when fan is operating and be logical high when fan motor is locked.

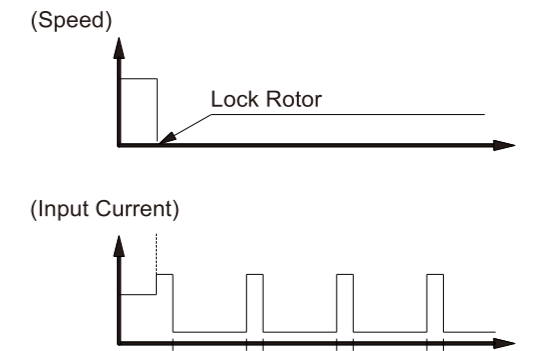


RD Signal Output Circuit:
Open Collector



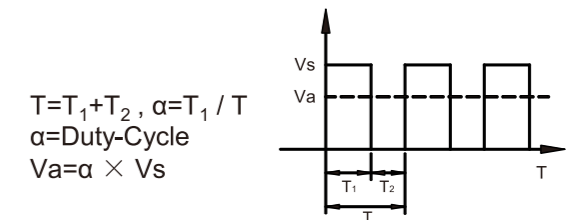
Auto Restart Protection/ Current Limit

When the fan motor is locked, the device will cut off the drive current within two to six seconds and restart automatically after a few seconds. If the lock situation is continued, the device will work on repeated cycle of cut-off and restart until lock is released.



PWM Control Signal

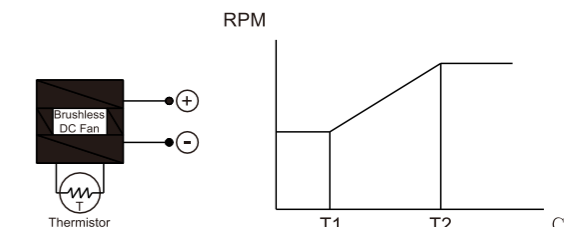
A speed control lead can be provided that will accept a PWM signal from the customer circuit to vary the speed of the fan. The change in speed is linear by changing the Duty-Cycle of the PWM.



Open collector type and pull-up voltage is changed by maximum operating voltage and sink current by consuming current.

Temperature Sensor

NS TECH uses a thermistor to sense temperature in the thermally controlled fan. The thermistor can be controlled by on board or off board with special length leads. The RPM and temperature range is subject to custom request.





JULONG MOTOR
AC/DC FANS COOLING FANS

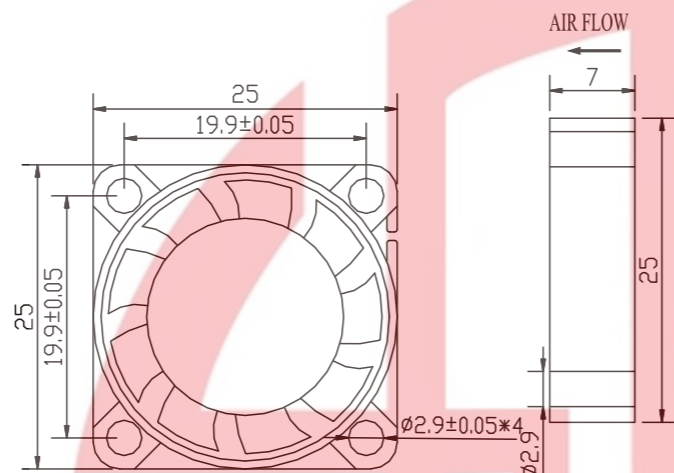


本样品的制造型号仅供参考，具体以规格书为准。
This sample book is for reference only. Please refer to the specification for details.
如需特殊电压也可特别定制提供。本公司保留技术知识产权。
Special voltage may be provided according to the requirement, although technical intellectual property reserved.

Http://www.xtgygs.cn



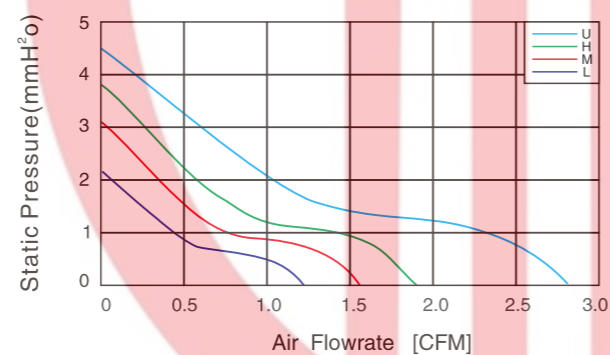
DIMENSIONS DRAWING



DC AXIAL FAN
25*25*07MM SERIES

Material
UL 1007 AWG # 28 OR Equivalent
Red Wire:Positive (+)
Black Wire:Negative (-)
Yellow wire:FG or RD Signal

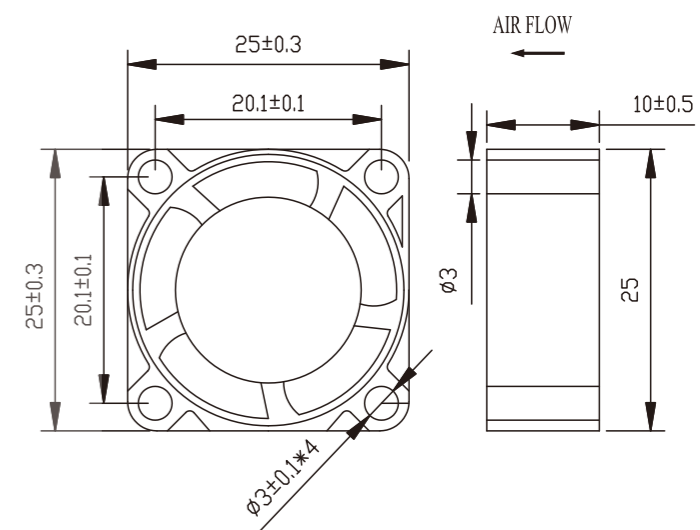
P & Q CURVE (AT RATED VOLTAGE)



MODEL NO	RATED VOLTAGE V	OPERATING VOLTAGE V	RATED CURRENT A	ACTUAL CURRENT A	RATED POWER	RATED SPEED RPM (±10%)	MAX. AIR FLOW		MAX.STATIC AIR PRESSURE		NOISE LEVEL db(A)
							CMM	CFM	InH2O	mmH2O	
JL2507L05	5	3.6~6.8	0.11	0.09	0.55	7000	0.035	1.22	0.085	2.16	19.6
JL2507L12	12	6.0~13.5	0.03	0.01	0.36	7000	0.035	1.22	0.085	2.16	19.6
JL2507M05	5	3.6~6.8	0.17	0.15	0.85	10000	0.044	1.55	0.122	3.1	23.5
JL2507M12	12	6.0~13.5	0.06	0.04	0.72	10000	0.044	1.55	0.122	3.1	23.5
JL2507H05	5	3.6~6.8	0.23	0.21	1.15	14000	0.054	1.9	0.15	3.8	26.4
JL2507H12	12	6.0~13.5	0.09	0.07	1.08	14000	0.054	1.9	0.15	3.8	26.4
JL2507H05-HH	5	3.6~6.8	0.3	0.28	1.5	17000	0.08	2.81	0.177	4.5	31.2
JL2507H12-HH	12	6.0~13.5	0.1	0.08	1.2	17000	0.08	2.81	0.177	4.5	31.2



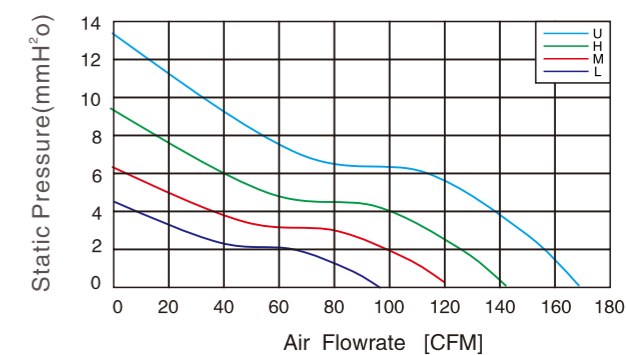
DIMENSIONS DRAWING



DC AXIAL FAN
25*25*10MM SERIES

Material
UL 1007 AWG # 28 OR Equivalent
Red Wire:Positive (+)
Black Wire:Negative (-)
Yellow wire:FG or RD Signal

P & Q CURVE (AT RATED VOLTAGE)



MODEL NO	RATED VOLTAGE V	OPERATING VOLTAGE V	RATED CURRENT A	ACTUAL CURRENT A	RATED POWER	RATED SPEED RPM (±10%)	MAX. AIR FLOW		MAX.STATIC AIR PRESSURE		NOISE LEVEL db(A)
							CMM	CFM	InH2O	mmH2O	
JL2510H05Y	5	4.5~5.5	0.18	0.16	0.9	4000	0.059	2.1	0.334	8.48	26.5
JL2510M05Y	5	4.5~5.5	0.16	0.14	0.8	3400	0.045	1.58	0.211	5.37	23
JL2510L05Y	5	4.5~5.5	0.12	0.12	0.6	2800	0.026	0.93	0.125	3.18	21.3
JL2510H12Y	12	9.5~13.2	0.09	0.08	1.08	13000	0.059	2.1	0.334	8.48	26.5
JL2510M12Y	12	9.5~13.2	0.08	0.07	0.96	10000	0.045	1.58	0.211	5.37	23
JL2510L12Y	12	9.5~13.2	0.07	0.06	0.84	8000	0.026	0.93	0.125	3.18	21.3

■ PS:Where Y can be S .B.

九 龙 电 机

AC Axial Fan
AC轴流风机

AC All-Metal Axial Fan
AC全金属轴流风扇

DC Axial Fan
DC轴流风机

DC Centrifugal Fan
DC离心风机

EC Axial Fan
EC轴流风机

EC Centrifugal Fan
EC离心风机

AC Centrifugal Fan
AC离心风机

Fan Accessories
风机配件



JULONG MOTOR
AC/DC FANS COOLING FANS

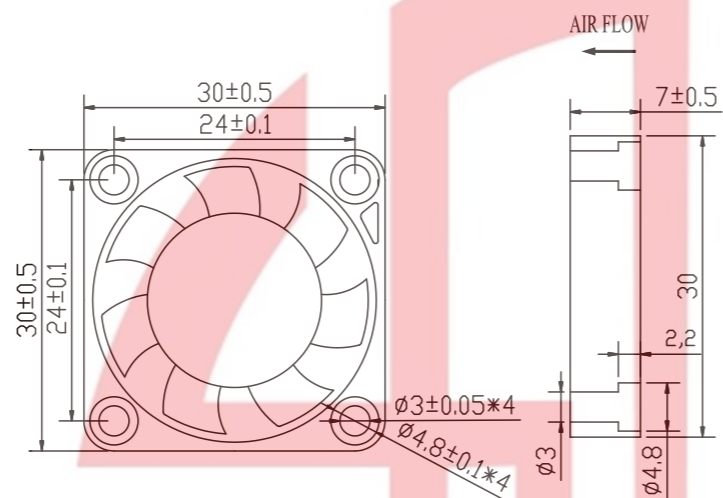


本样品的制造型号、规格以规格书为准。
This sample book is for reference only. Please refer to the specification for details.
如需特殊电压也可特别定制提供。本公司保留技术知识产权。
Special voltage may be provided flexibly according to the requirement. All technical modification rights reserved.

Http://www.xtgygs.cn



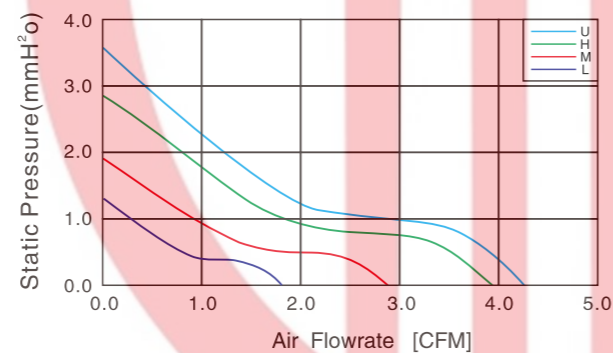
DIMENSIONS DRAWING



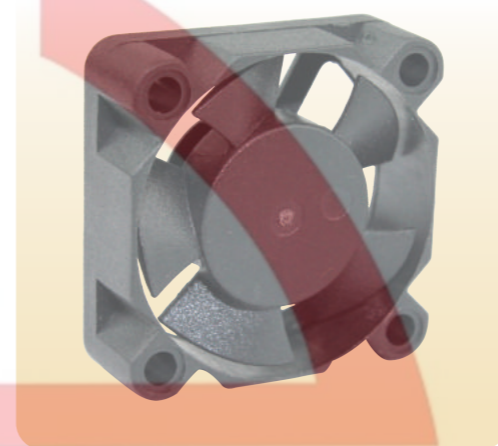
DC AXIAL FAN
30*30*07MM SERIES

Material
UL 1007 AWG # 28 OR Equivalent
Red Wire:Positive (+)
Black Wire:Negative (-)
Yellow wire:FG or RD Signal

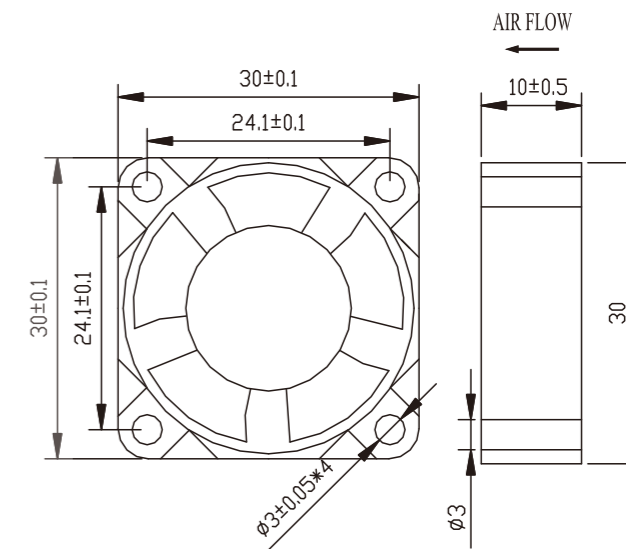
P & Q CURVE (AT RATED VOLTAGE)



MODEL NO	RATED VOLTAGE V	OPERATING VOLTAGE V	RATED CURRENT A	ACTUAL CURRENT A	RATED POWER	RATED SPEED RPM (±10%)	MAX. AIR FLOW		MAX.STATIC AIR PRESSURE		NOISE LEVEL db(A)
							CMM	CFM	InH2O	mmH2O	
JL3007L05	5	3.6~6.8	0.12	0.10	0.6	5000	0.05	1.79	0.051	1.3	19.6
JL3007L12	12	6.0~13.5	0.04	0.02	0.48	5000	0.05	1.79	0.051	1.3	19.6
JL3007M05	5	3.6~6.8	0.17	0.15	0.85	8000	0.08	2.86	0.075	1.9	23.5
JL3007M12	12	6.0~13.5	0.06	0.04	0.72	8000	0.08	2.86	0.075	1.9	23.5
JL3007H05	5	3.6~6.8	0.25	0.23	1.25	11000	0.11	3.92	0.114	2.9	26.4
JL3007H12	12	6.0~13.5	0.1	0.08	1.2	11000	0.11	3.92	0.114	2.9	26.4
JL3007H05-HH	5	3.6~6.8	0.32	0.30	1.6	13000	0.12	4.25	0.141	3.58	31.2
JL3007H12-HH	12	6.0~13.5	0.12	0.10	1.44	13000	0.12	4.25	0.141	3.58	31.2



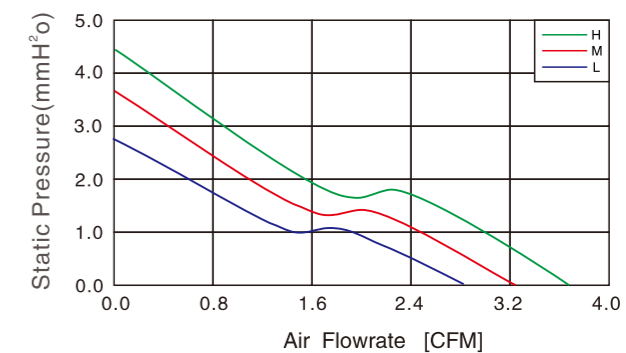
DIMENSIONS DRAWING



DC AXIAL FAN
30*30*10MM SERIES

Material
UL 1007 AWG # 28 OR Equivalent
Red Wire:Positive (+)
Black Wire:Negative (-)
Yellow wire:FG or RD Signal

P & Q CURVE (AT RATED VOLTAGE)



MODEL NO	RATED VOLTAGE V	OPERATING VOLTAGE V	RATED CURRENT A	ACTUAL CURRENT A	RATED POWER	RATED SPEED RPM (±10%)	MAX. AIR FLOW		MAX.STATIC AIR PRESSURE		NOISE LEVEL db(A)
							CMM	CFM	InH2O	mmH2O	
JL3010H05Y	5	4.5~5.5	0.2	0.18	1.0	10000	0.104	3.67	0.177	4.5	29.7
JL3010M05Y	5	4.5~5.5	0.16	0.14	0.8	9000	0.093	3.28	0.146	3.7	27.2
JL3010L05Y	5	4.5~5.5	0.13	0.11	0.65	8000	0.082	2.9	0.109	2.78	25.6
JL3010H12Y	12	9.5~13.2	0.13	0.11	1.56	10000	0.104	3.67	0.177	4.5	29.7
JL3010M12Y	12	9.5~13.2	0.10	0.09	1.2	9000	0.093	3.28	0.146	3.7	27.2
JL3010L12Y	12	9.5~13.2	0.08	0.07	0.96	8000	0.082	2.9	0.109	2.78	25.6

PS: Where Y can be S .B.

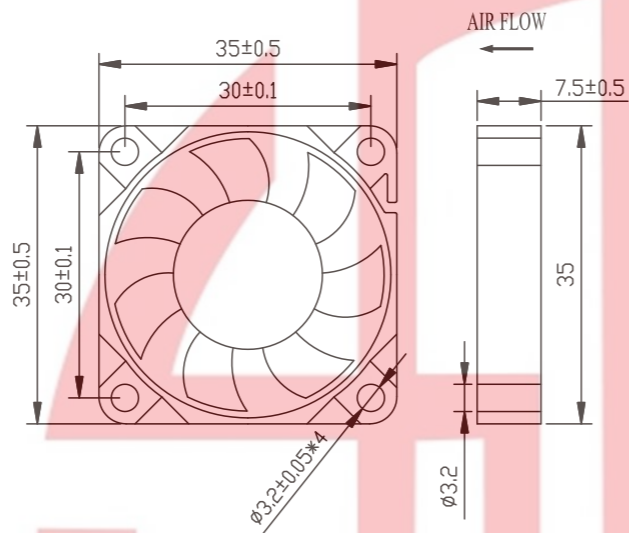
九 龙 电 机



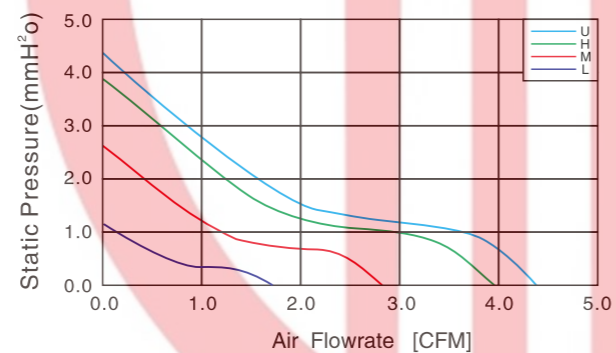
JULONG MOTOR
AC/DC FANS COOLING FANS



DIMENSIONS DRAWING



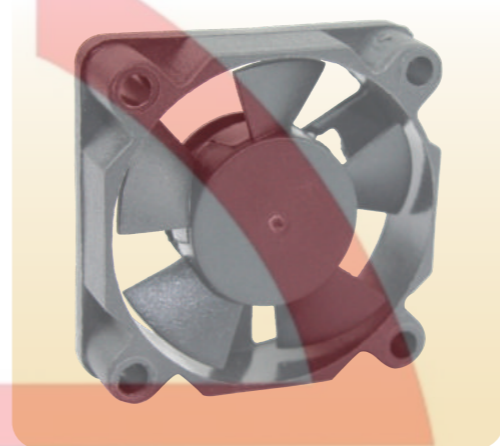
P & Q CURVE (AT RATED VOLTAGE)



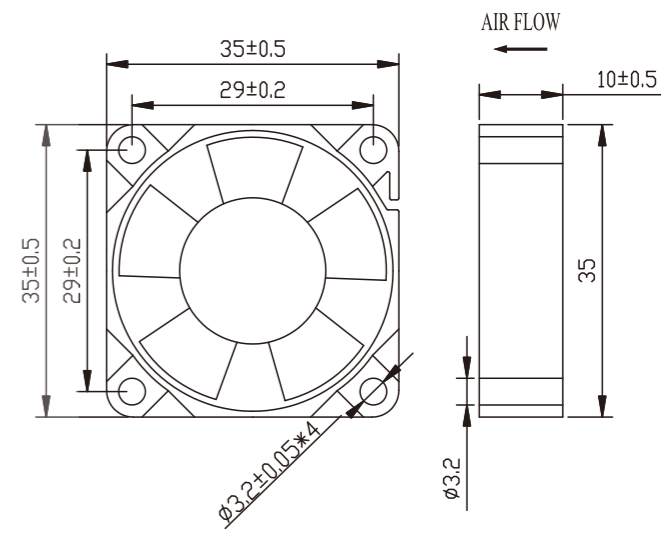
DC AXIAL FAN 35*35*07MM SERIES

Material
UL 1007 AWG # 28 OR Equivalent
Red Wire:Positive (+)
Black Wire:Negative (-)
Yellow wire:FG or RD Signal

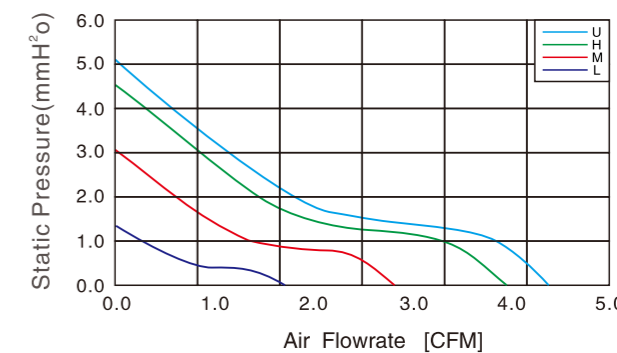
MODEL NO	RATED VOLTAGE V	OPERATING VOLTAGE V	RATED CURRENT A	ACTUAL CURRENT A	RATED POWER	RATED SPEED RPM (±10%)	MAX. AIR FLOW		MAX.STATIC AIR PRESSURE		NOISE LEVEL db(A)
							CMM	CFM	InH ₂ O	mmH ₂ O	
JL3507L05	5	3.6~6.8	0.11	0.09	0.55	4500	0.11	3.46	0.05	1.18	19.5
JL3507L12	12	6.0~13.5	0.04	0.02	0.48	4500	0.11	3.46	0.05	1.18	19.5
JL3507M05	5	3.6~6.8	0.17	0.15	0.85	6500	0.16	5.67	0.1	2.65	22.3
JL3507M12	12	6.0~13.5	0.06	0.04	0.72	6500	0.16	5.67	0.1	2.65	22.3
JL3507H05	5	3.6~6.8	0.25	0.23	1.25	9000	0.22	7.88	0.15	3.9	29.5
JL3507H12	12	6.0~13.5	0.1	0.08	1.2	9000	0.22	7.88	0.15	3.9	29.5
JL3507H05-HH	5	3.6~6.8	0.33	0.31	1.05	10000	0.25	8.75	0.17	4.4	32.6
JL3507H12-HH	12	6.0~13.5	0.12	0.10	1.44	10000	0.25	8.75	0.17	4.4	32.6



DIMENSIONS DRAWING



P & Q CURVE (AT RATED VOLTAGE)



DC AXIAL FAN 35*35*10MM SERIES

Material
UL 1007 AWG # 28 OR Equivalent
Red Wire:Positive (+)
Black Wire:Negative (-)
Yellow wire:FG or RD Signal

MODEL NO	RATED VOLTAGE V	OPERATING VOLTAGE V	RATED CURRENT A	ACTUAL CURRENT A	RATED POWER	RATED SPEED RPM (±10%)	MAX. AIR FLOW		MAX.STATIC AIR PRESSURE		NOISE LEVEL db(A)
							CMM	CFM	InH ₂ O	mmH ₂ O	
JL3510L05	5	3.6~6.8	0.09	0.07	0.45	5000	0.1	3.85	0.05	1.31	21.3
JL3510L12	12	6.0~13.5	0.04	0.02	0.48	5000	0.1	3.85	0.05	1.31	21.3
JL3510M05	5	3.6~6.8	0.13	0.11	0.65	6800	0.16	5.67	0.1	2.65	27.2
JL3510M12	12	6.0~13.5	0.06	0.04	0.72	6800	0.16	5.67	0.1	2.65	27.2
JL3510H05	5	3.6~6.8	0.2	0.18	1	8000	0.19	7.02	0.15	3.5	31.5
JL3510H12	12	6.0~13.5	0.08	0.06	0.96	8000	0.19	7.02	0.15	3.5	31.5
JL3510H05-HH	5	3.6~6.8	0.21	0.19	1.05	10000	0.25	8.67	0.17	4.23	34.2
JL3510H12-HH	12	6.0~13.5	0.09	0.07	1.08	10000	0.25	8.67	0.17	4.23	34.2
JL3510H05-VH	5	3.6~6.8	0.24	0.22	1.2	11500	0.25	9.61	0.19	4.84	35.3
JL3510H12-VH	12	6.0~13.5	0.1	0.08	1.2	11500	0.25	9.61	0.19	4.84	35.3



JILONG MOTOR
AC/DC FANS COOLING FANS



UL 1007
E248719

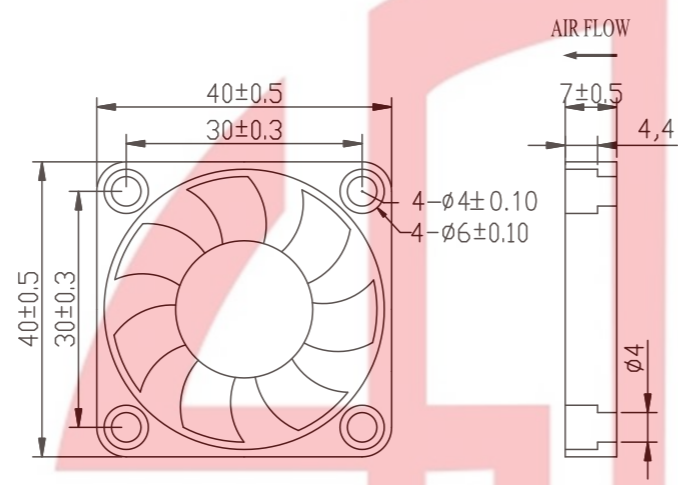


本样图仅供参考，具体以规格书为准。
This sample book is for reference only. Please refer to the specification for details.
如需特殊电压也可根据规格提供。本公司保留技术知识产权。
Special voltage may be provided according to the requirement. All technical modification rights reserved.

Http://www.xtgygs.cn



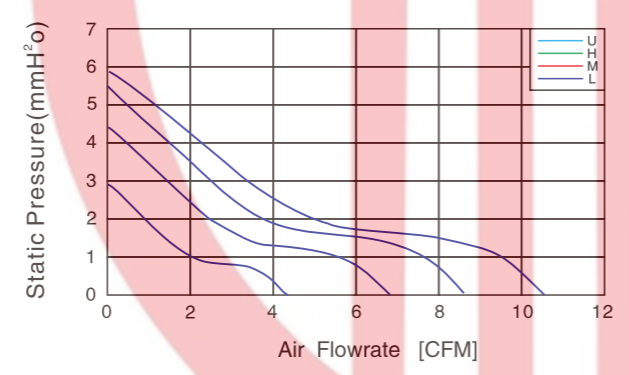
DIMENSIONS DRAWING



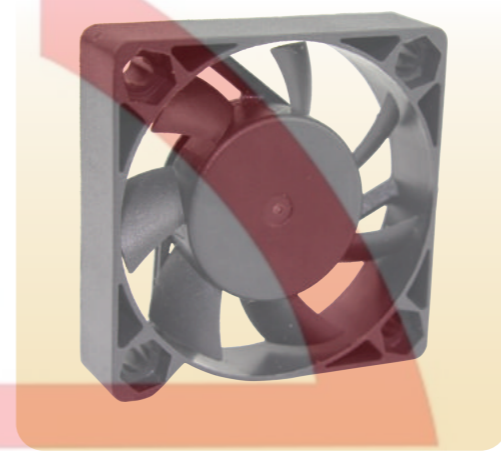
DC AXIAL FAN
40*40*07MM SERIES

Material
UL 1007 AWG # 28 OR Equivalent
Red Wire:Positive (+)
Black Wire:Negative (-)
Yellow wire:FG or RD Signal

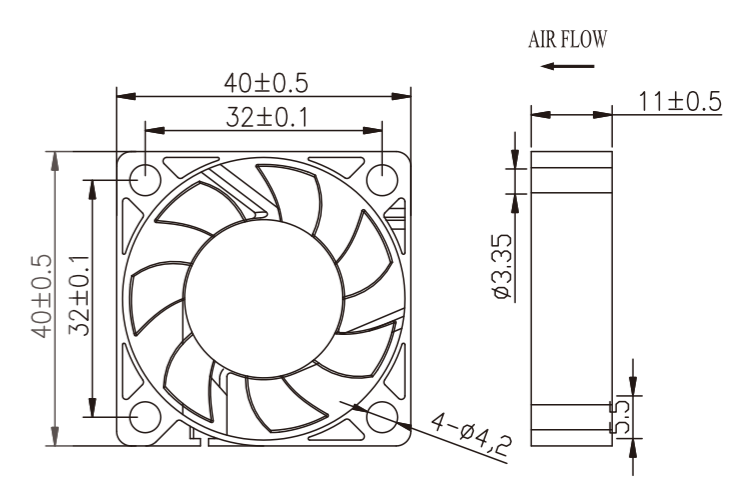
P & Q CURVE (AT RATED VOLTAGE)



MODEL NO	RATED VOLTAGE V	OPERATING VOLTAGE V	RATED CURRENT A	ACTUAL CURRENT A	RATED POWER	RATED SPEED RPM (±10%)	MAX. AIR FLOW		MAX.STATIC AIR PRESSURE		NOISE LEVEL db(A)
							CMM	CFM	InH2O	mmH2O	
JL4007L05	5	3.6~6.8	0.12	0.10	0.6	4500	0.12	4.32	0.11	2.92	20.6
JL4007L12	12	6.0~13.5	0.04	0.02	0.48	4500	0.12	4.32	0.11	2.92	20.6
JL4007M05	5	3.6~6.8	0.18	0.16	0.9	6000	0.19	6.81	0.17	4.4	24.6
JL4007M12	12	6.0~13.5	0.06	0.04	0.72	6000	0.19	6.81	0.17	4.4	24.6
JL4007H05	5	3.6~6.8	0.22	0.20	1.1	7000	0.245	8.65	0.215	5.45	27.6
JL4007H12	12	6.0~13.5	0.08	0.06	0.96	7000	0.245	8.65	0.215	5.45	27.6
JL4007H05-HH	5	3.6~6.8	0.25	0.23	1.25	8000	0.31	10.58	0.23	5.9	31.8
JL4007H12-HH	12	6.0~13.5	0.1	0.08	1.2	8000	0.31	10.58	0.23	5.9	31.8



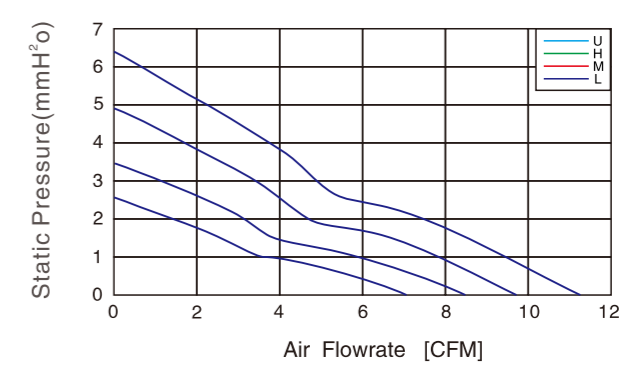
DIMENSIONS DRAWING



DC AXIAL FAN
40*40*10MM SERIES

Material
UL 1007 AWG # 28 OR Equivalent
Red Wire:Positive (+)
Black Wire:Negative (-)
Yellow wire:FG or RD Signal

P & Q CURVE (AT RATED VOLTAGE)



MODEL NO	RATED VOLTAGE V	OPERATING VOLTAGE V	RATED CURRENT A	ACTUAL CURRENT A	RATED POWER	RATED SPEED RPM (±10%)	MAX. AIR FLOW		MAX.STATIC AIR PRESSURE		NOISE LEVEL db(A)
							CMM	CFM	InH2O	mmH2O	
JL4010H05Y	5	4.5~5.5	0.25	0.22	1.25	7000	0.280	9.88	0.20	4.97	30.5
JL4010M05Y	5	4.5~5.5	0.20	0.17	1.0	6000	0.240	8.47	0.14	3.65	27.2
JL4010L05Y	5	4.5~5.5	0.13	0.11	0.65	5000	0.200	7.06	0.10	2.54	23.2
JL4010U12Y	12	9.5~13.2	0.18	0.16	2.16	8000	0.32	11.29	0.26	6.49	33.4
JL4010H12Y	12	9.5~13.2	0.12	0.10	1.44	7000	0.28	9.88	0.20	4.97	30.5
JL4010M12Y	12	9.5~13.2	0.09	0.08	1.08	6000	0.24	8.47	0.14	3.65	27.2
JL4010L12Y	12	9.5~13.2	0.08	0.07	0.96	5000	0.20	7.06	0.10	2.54	23.2

PS:Where Y can be S .B.

九 龙 电 机

AC Axial Fan
AC轴流风机

AC All-Metal Axial Fan
AC全金属轴流风扇

DC Axial Fan
DC轴流风机

DC Centrifugal Fan
DC离心风机

EC Axial Fan
EC轴流风机

EC Centrifugal Fan
EC离心风机

AC Centrifugal Fan
AC离心风机

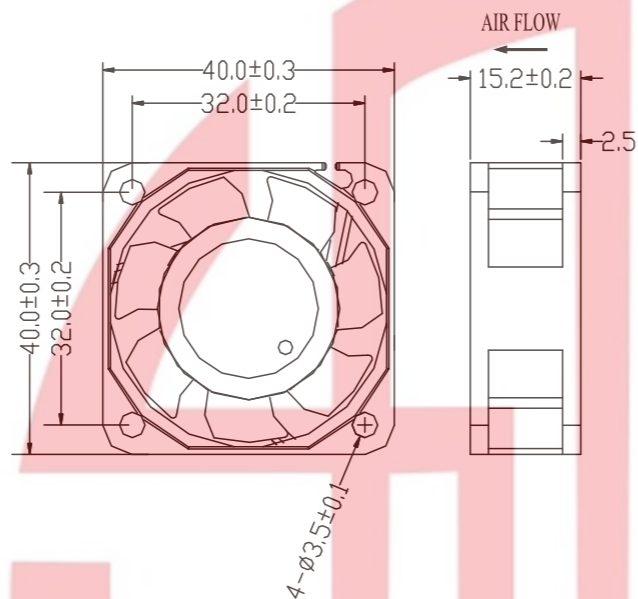
Fan Accessories
风机配件



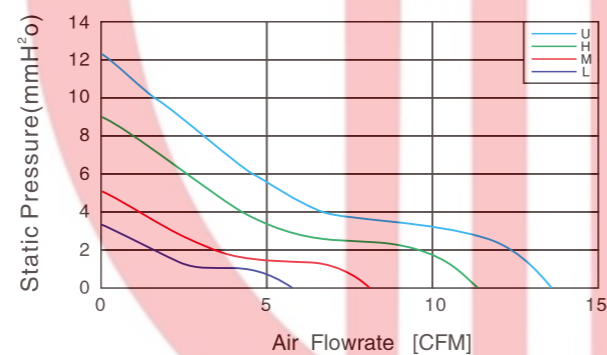
JULONG MOTOR
AC/DC FANS COOLING FANS



DIMENSIONS DRAWING



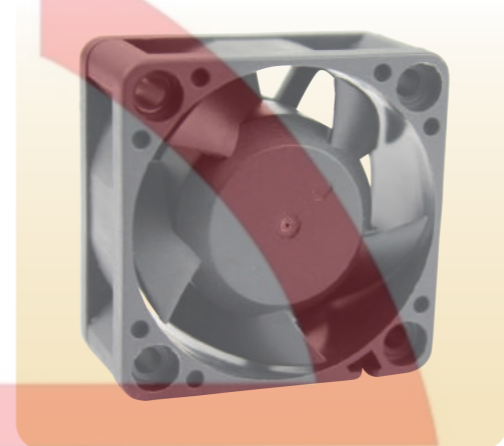
P & Q CURVE (AT RATED VOLTAGE)



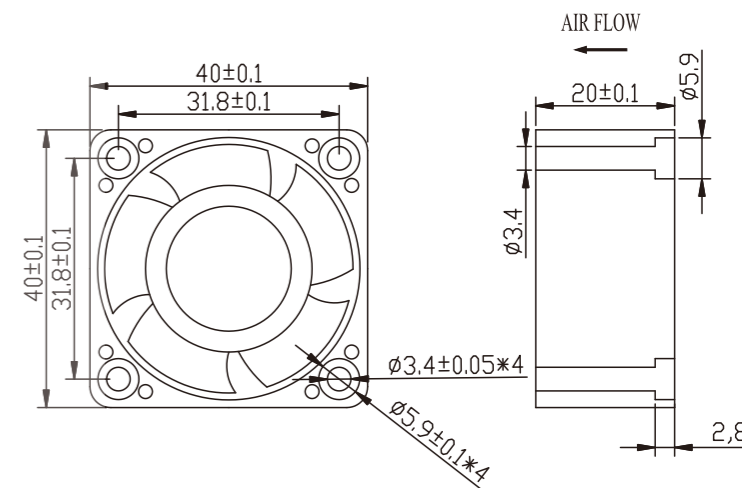
DC AXIAL FAN 40*40*15MM SERIES

Material
UL 1007 AWG # 26 OR Equivalent
Red Wire:Positive (+)
Black Wire:Negative (-)
Yellow wire:FG or RD Signal

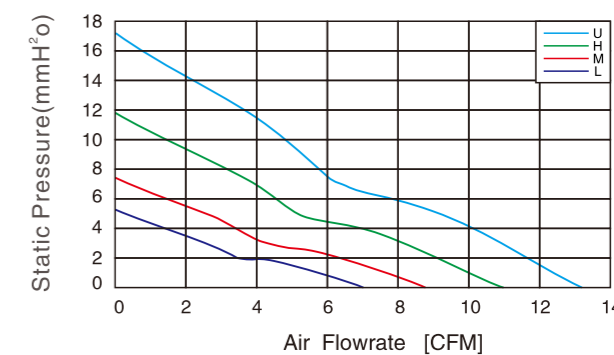
MODEL NO	RATED VOLTAGE V	OPERATING VOLTAGE V	RATED CURRENT A	ACTUAL CURRENT A	RATED POWER	RATED SPEED RPM (±10%)	MAX. AIR FLOW		MAX.STATIC AIR PRESSURE		NOISE LEVEL db(A)
							CMM	CFM	InH ₂ O	mmH ₂ O	
JL4015L05	5	3.6~6.8	0.12	0.10	0.6	4000	0.164	5.8	0.132	3.35	18.9
JL4015L12	12	6.0~13.5	0.05	0.03	0.6	4000	0.164	5.8	0.132	3.35	18.9
JL4015L24	24	18~26.5	0.04	0.02	0.96	4000	0.164	5.8	0.132	3.35	18.9
JL4015M05	5	3.6~6.8	0.21	0.19	1.05	6000	0.230	8.13	0.202	5.12	25.3
JL4015M12	12	6.0~13.5	0.1	0.08	1.2	6000	0.230	8.13	0.202	5.12	25.3
JL4015M24	24	18~26.5	0.08	0.06	1.92	6000	0.230	8.13	0.202	5.12	25.3
JL4015H12	12	6.0~13.5	0.14	0.12	1.68	8000	0.321	11.36	0.355	9.02	32.6
JL4015H24	24	18~26.5	0.1	0.08	2.4	8000	0.321	11.36	0.355	9.02	32.6
JL4015H12-HH	12	6.0~13.5	0.19	0.17	2.28	10000	0.385	13.6	0.484	12.3	39.6
JL4015H24-HH	24	18~26.5	0.12	0.10	2.88	10000	0.385	13.6	0.484	12.3	39.6



DIMENSIONS DRAWING



P & Q CURVE (AT RATED VOLTAGE)



DC AXIAL FAN 40*40*20MM SERIES

Material
UL 1007 AWG # 26 OR Equivalent
Red Wire:Positive (+)
Black Wire:Negative (-)
Yellow wire:FG or RD Signal

MODEL NO	RATED VOLTAGE V	OPERATING VOLTAGE V	RATED CURRENT A	ACTUAL CURRENT A	RATED POWER	RATED SPEED RPM (±10%)	MAX. AIR FLOW		MAX.STATIC AIR PRESSURE		NOISE LEVEL db(A)
							CMM	CFM	InH ₂ O	mmH ₂ O	
JL4020H12B	12	7~13.2	0.2	0.18	2.4	10000	0.305	10.76	0.463	11.760	30.7
JL4020M12B	12	7~13.2	0.09	0.08	1.08	8000	0.244	8.61	0.296	7.530	25.9
JL4020L12B	12	7~13.2	0.07	0.06	0.84	7000	0.213	7.53	0.227	5.760	23.0
JL4020U24B	24	14~26.4	0.11	0.1	2.64	12000	0.366	12.91	0.667	16.93	34.7
JL4020H24B	24	14~26.4	0.09	0.08	2.16	10000	0.305	10.76	0.463	11.760	30.7
JL4020M24B	24	14~26.4	0.04	0.03	0.96	8000	0.244	8.61	0.296	7.53	25.9
JL4020L24B	24	14~26.4	0.03	0.02	0.72	7000	0.213	7.53	0.227	5.76	23.0



JULONG MOTOR
AC/DC FANS COOLING FANS

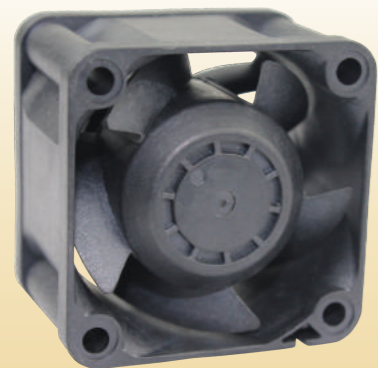


UL
E248719

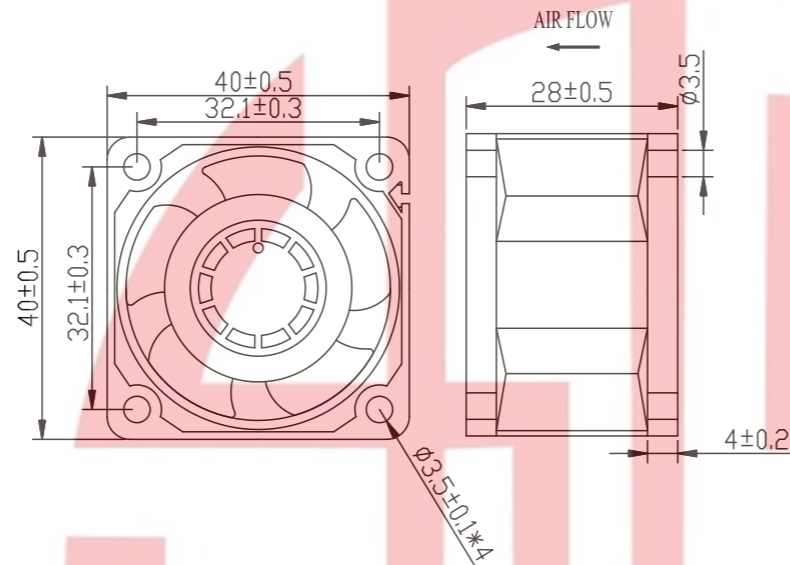


本样机仅供参考，具体以规格书为准。
This sample book is for reference only. Please refer to the specification for details.
如需特殊电压也可根据规格书提供。本公司保留技术知识产权。
Special voltage may be provided flexibly according to the requirement, although technical modification is reserved.

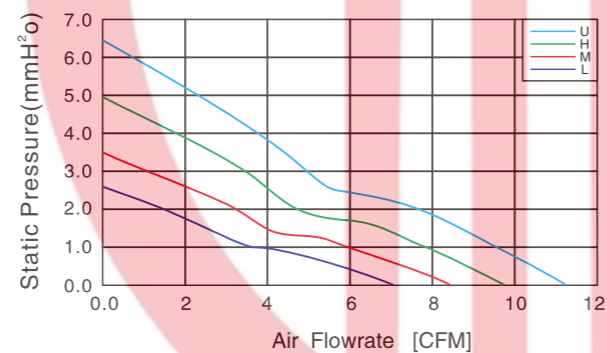
Http://www.xtgygs.cn



DIMENSIONS DRAWING



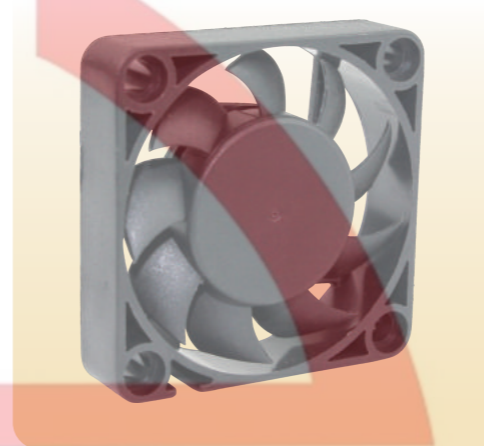
P & Q CURVE (AT RATED VOLTAGE)



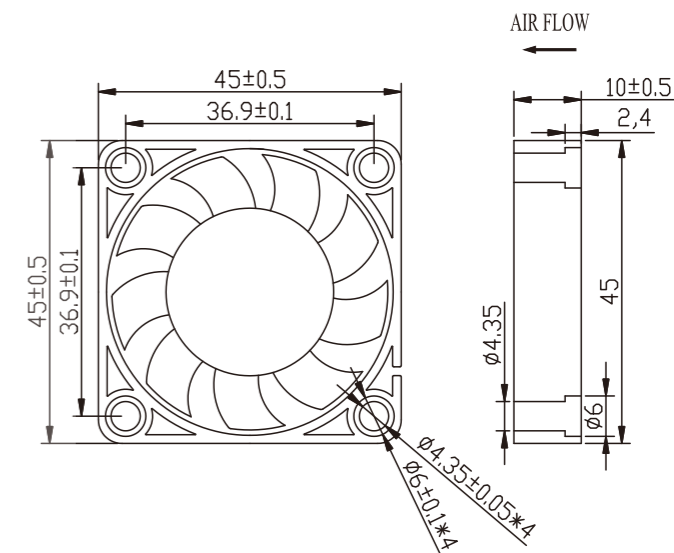
DC AXIAL FAN
40*40*28MM SERIES

Material
UL 1007 AWG # 26 OR Equivalent
Red Wire:Positive (+)
Black Wire:Negative (-)
Yellow wire:FG or RD Signal

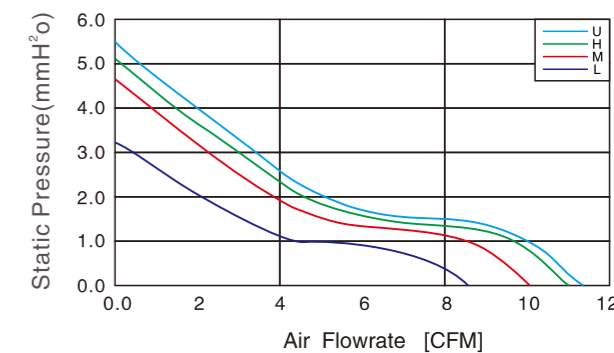
MODEL NO	RATED VOLTAGE V	OPERATING VOLTAGE V	RATED CURRENT A	ACTUAL CURRENT A	RATED POWER	RATED SPEED RPM (±10%)	MAX. AIR FLOW		MAX.STATIC AIR PRESSURE		NOISE LEVEL db(A)
							CMM	CFM	InH ₂ O	mmH ₂ O	
JL4028H12B	12	7~13.2	0.25	0.22	3	10000	0.460	16.23	0.617	15.68	46.3
JL4028M12B	12	7~13.2	0.20	0.18	2.4	8500	0.390	13.79	0.446	11.33	42.7
JL4028L12B	12	7~13.2	0.12	0.1	1.44	7000	0.322	11.36	0.320	7.68	38.5
JL4028U24B	24	18~26.4	0.25	0.2	6	13000	0.597	21.10	1.043	26.50	52
JL4028H24B	24	18~26.4	0.12	0.10	2.88	10000	0.460	16.23	0.617	15.68	46.3
JL4028M24B	24	18~26.4	0.1	0.09	2.4	8500	0.390	13.79	0.446	11.33	42.7
JL4028L24B	24	18~26.4	0.07	0.06	1.68	7000	0.322	11.36	0.302	7.68	38.5



DIMENSIONS DRAWING



P & Q CURVE (AT RATED VOLTAGE)



DC AXIAL FAN
45*45*10MM SERIES

Material
UL 1007 AWG # 26 OR Equivalent
Red Wire:Positive (+)
Black Wire:Negative (-)
Yellow wire:FG or RD Signal

MODEL NO	RATED VOLTAGE V	OPERATING VOLTAGE V	RATED CURRENT A	ACTUAL CURRENT A	RATED POWER	RATED SPEED RPM (±10%)	MAX. AIR FLOW		MAX.STATIC AIR PRESSURE		NOISE LEVEL db(A)
							CMM	CFM	InH ₂ O	mmH ₂ O	
JL4510L05	5	3.6~6.8	0.14	0.12	0.7	5000	0.31	3.22	0.13	3.22	30.2
JL4510L12	12	6.0~13.5	0.07	0.05	0.84	5000	0.31	3.22	0.13	3.22	30.2
JL4510M05	5	3.6~6.8	0.18	0.16	0.9	6000	0.36	4.67	0.18	4.67	32.6
JL4510M12	12	6.0~13.5	0.08	0.06	0.96	6000	0.36	4.67	0.18	4.67	32.6
JL4015H05	5	3.6~6.8	0.27	0.25	1.35	6500	0.39	5.12	0.22	5.12	36.5
JL4015H12	12	6.0~13.5	0.1	0.08	1.2	6500	0.39	5.12	0.22	5.12	36.5
JL4015H12-HH	24	6.0~13.5	0.15	0.13	1.8	7000	0.41	5.51	0.24	5.51	38.4
JL4015H24-HH	24	18~26.5	0.08	0.06	1.92	7000	0.41	5.51	0.24	5.51	38.4

九 龙 电 机

AC Axial Fan
AC轴流风机

AC All-Metal Axial Fan
AC全金属轴流风扇

DC Axial Fan
DC轴流风机

DC Centrifugal Fan
DC离心风机

EC Axial Fan
EC轴流风机

EC Centrifugal Fan
EC离心风机

AC Centrifugal Fan
AC离心风机

Fan Accessories
风机配件



JULONG MOTOR
AC/DC FANS COOLING FANS

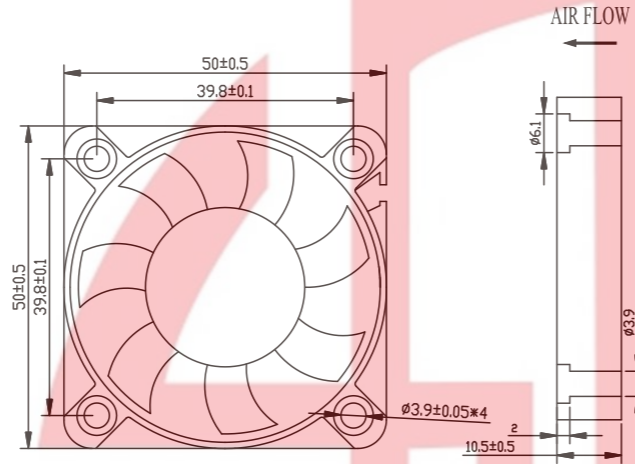


本样册仅供参考，具体规格以实物为准。
This sample book is for reference only. Please refer to the specification for details.
如需特殊电压也可特别定制提供。本公司保留技术知识产权。
Special voltage may be provided according to the requirement. All technical modification rights reserved.

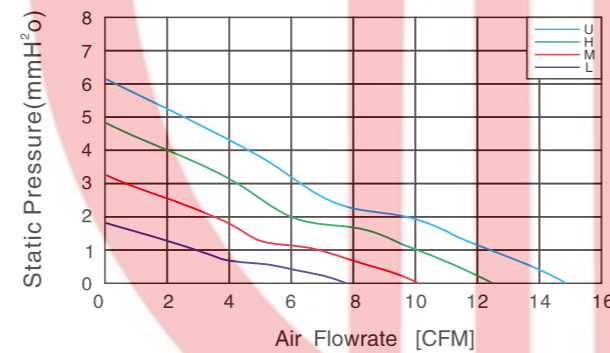
Http://www.xtgygs.cn



DIMENSIONS DRAWING



P & Q CURVE (AT RATED VOLTAGE)

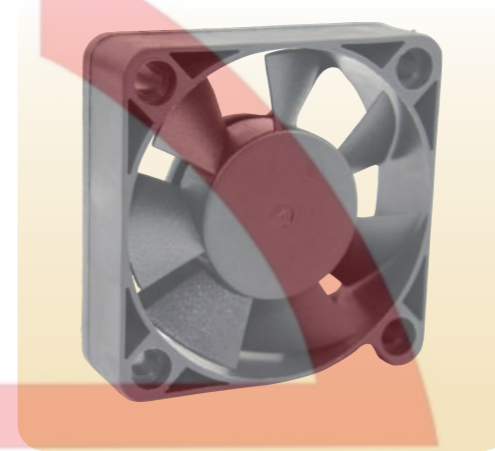


DC AXIAL FAN 50*50*10MM SERIES

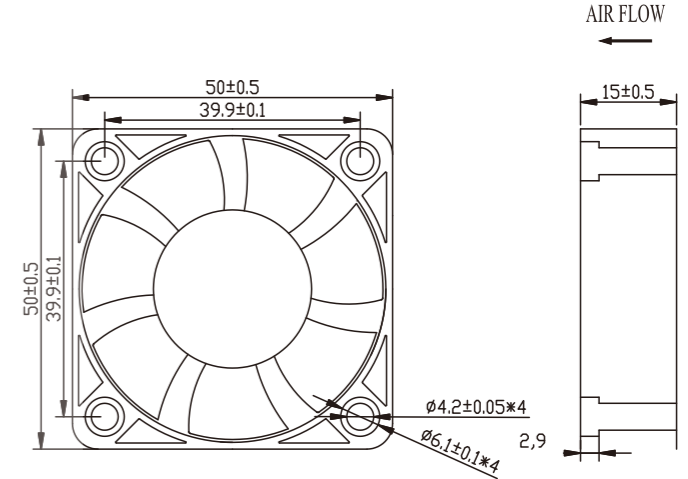
Material
UL 1007 AWG # 28 OR Equivalent
Red Wire:Positive (+)
Black Wire:Negative (-)
Yellow wire:FG or RD Signal

MODEL NO	RATED VOLTAGE V	OPERATING VOLTAGE V	RATED CURRENT A	ACTUAL CURRENT A	RATED POWER	RATED SPEED RPM (±10%)	MAX. AIR FLOW		MAX.STATIC AIR PRESSURE		NOISE LEVEL db(A)
							CMM	CFM	InH ₂ O	mmH ₂ O	
JL5010H05Y	5	4.5~5.5	0.22	0.2	1.1	5500	0.353	12.47	0.18	4.57	30.5
JL5010M05Y	5	4.5~5.5	0.18	0.16	0.9	4500	0.289	10.2	0.12	3.06	26.2
JL5010L05Y	5	4.5~5.5	0.12	0.1	0.6	3500	0.225	7.94	0.07	1.85	20.8
JL5010U12Y	12	9.5~13.2	0.22	0.2	2.64	6500	0.417	14.74	0.25	6.38	34.2
JL5010H12Y	12	9.5~13.2	0.12	0.09	1.44	5500	0.353	12.47	0.18	4.57	30.5
JL5010M12Y	12	9.5~13.2	0.09	0.08	1.08	4500	0.289	10.2	0.12	3.06	26.2
JL5010L12Y	12	9.5~13.2	0.07	0.06	0.84	3500	0.225	7.94	0.07	1.85	20.8

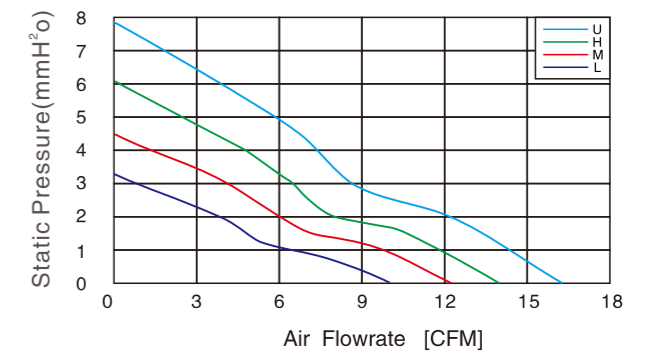
PS:Where Y can be S .B.



DIMENSIONS DRAWING



P & Q CURVE (AT RATED VOLTAGE)



DC AXIAL FAN 50*50*15MM SERIES

Material
UL 1007 AWG # 26 OR Equivalent
Red Wire:Positive (+)
Black Wire:Negative (-)
Yellow wire:FG or RD Signal

MODEL NO	RATED VOLTAGE V	OPERATING VOLTAGE V	RATED CURRENT A	ACTUAL CURRENT A	RATED POWER	RATED SPEED RPM (±10%)	MAX. AIR FLOW		MAX.STATIC AIR PRESSURE		NOISE LEVEL db(A)
							CMM	CFM	InH ₂ O	mmH ₂ O	
JL5015U12Y	12	7~13.2	0.19	0.17	2.28	6400	0.458	16.17	0.312	7.93	35.5
JL5015H12Y	12	7~13.2	0.15	0.13	1.8	5600	0.397	14.02	0.237	6.01	30.7
JL5015M12Y	12	7~13.2	0.13	0.11	1.56	4800	0.343	12.11	0.179	4.54	28.3
JL5015L12Y	12	7~13.2	0.1	0.08	1.2	4000	0.275	9.71	0.123	3.12	25.2
JL5015U12Y	24	14~13.2	0.1	0.09	2.4	6400	0.458	16.17	0.312	7.93	35.5
JL5015H12Y	24	14~13.2	0.09	0.08	2.16	5600	0.397	14.02	0.237	6.01	30.7
JL5015M12Y	24	14~13.2	0.07	0.06	1.68	4800	0.343	12.11	0.179	4.54	28.3
JL5015L12Y	24	14~13.2	0.07	0.05	1.44	4000	0.275	9.71	0.123	3.12	25.2

PS:Where Y can be S .B.

九 龙 电 机



JULONG MOTOR
AC/DC FANS COOLING FANS

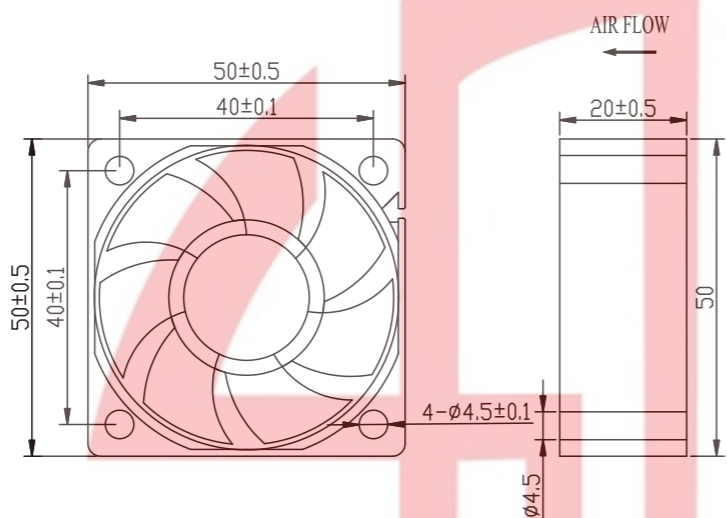


本样机仅供参考，具体以规格书为准。
This sample book is for reference only. Please refer to the specification for details.
如需特殊电压也可根据规格书提供。本公司保留技术知识产权。
Special voltage may be provided according to the requirement. All technical modification rights reserved.

Http://www.xtgygs.cn



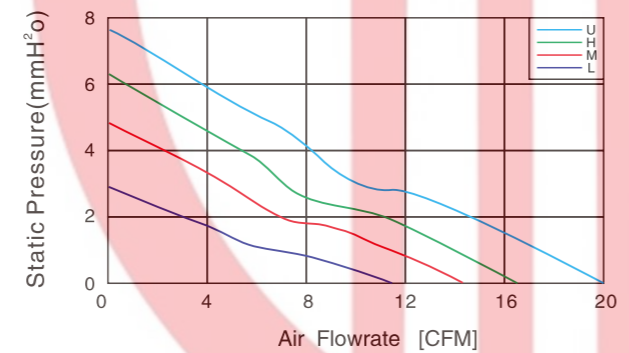
DIMENSIONS DRAWING



**DC AXIAL FAN
50*50*20MM SERIES**

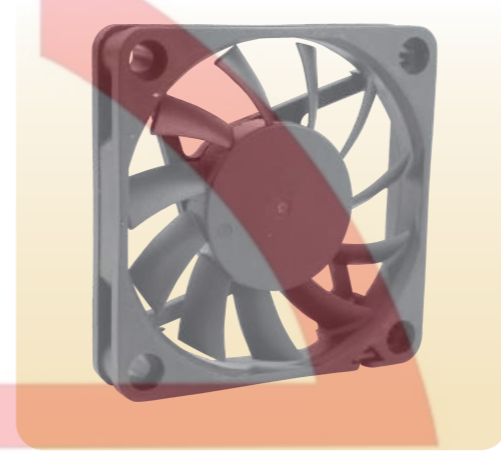
Material
UL 1007 AWG # 24 OR Equivalent
Red Wire: Positive (+)
Black Wire: Negative (-)
Yellow wire: FG or RD Signal

P & Q CURVE (AT RATED VOLTAGE)

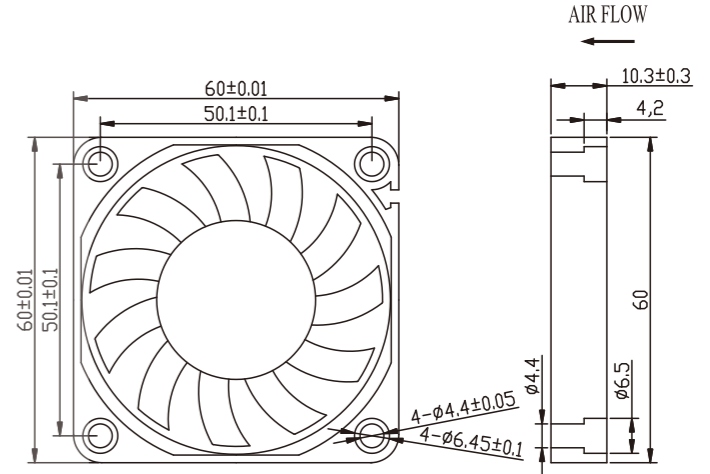


MODEL NO	RATED VOLTAGE V	OPERATING VOLTAGE V	RATED CURRENT A	ACTUAL CURRENT A	RATED POWER	RATED SPEED RPM (±10%)	MAX. AIR FLOW		MAX. STATIC AIR PRESSURE		NOISE LEVEL db(A)
							CMM	CFM	InH ₂ O	mmH ₂ O	
JL5020U12Y	12	7~13.2	0.22	0.2	2.64	7000	0.564	19.92	0.302	7.67	41.9
JL5020H12Y	12	7~13.2	0.18	0.16	2.16	6000	0.471	16.63	0.243	6.17	36.7
JL5020M12Y	12	7~13.2	0.14	0.12	1.68	5200	0.42	14.83	0.182	4.63	29.8
JL5020L12Y	12	7~13.2	0.1	0.09	1.2	4000	0.312	11.02	0.108	2.74	24.8
JL5020U24Y	24	14~26.4	0.14	0.12	3.36	7000	0.564	19.92	0.302	7.67	41.9
JL5020H24Y	24	14~26.4	0.1	0.09	2.4	6000	0.471	16.63	0.243	6.17	36.7
JL5020M24Y	24	14~26.4	0.08	0.09	1.92	5200	0.42	14.83	0.182	4.63	29.8
JL5020L24Y	24	14~26.4	0.07	0.06	1.68	4000	0.312	11.02	0.108	2.74	24.8

■ PS: Where Y can be S .B.



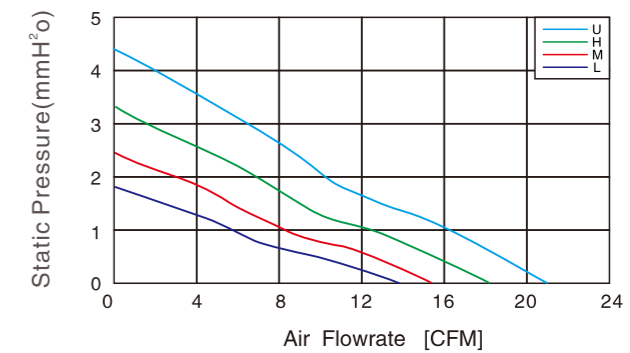
DIMENSIONS DRAWING



**DC AXIAL FAN
60*60*10MM SERIES**

Material
UL 1007 AWG # 28 OR Equivalent
Red Wire: Positive (+)
Black Wire: Negative (-)
Yellow wire: FG or RD Signal

P & Q CURVE (AT RATED VOLTAGE)



MODEL NO	RATED VOLTAGE V	OPERATING VOLTAGE V	RATED CURRENT A	ACTUAL CURRENT A	RATED POWER	RATED SPEED RPM (±10%)	MAX. AIR FLOW		MAX. STATIC AIR PRESSURE		NOISE LEVEL db(A)
							CMM	CFM	InH ₂ O	mmH ₂ O	
JL6010U12Y	12	7~13.2	0.28	0.26	3.36	4800	0.591	20.87	0.169	4.3	36.3
JL6010H12Y	12	7~13.2	0.2	0.17	2.4	4200	0.511	18.05	0.132	3.35	33.2
JL6010M12Y	12	7~13.2	0.14	0.12	1.68	3600	0.44	15.54	0.094	2.40	30.7
JL6010L12Y	12	7~13.2	0.1	0.09	1.2	2600	0.38	13.42	0.065	1.65	24.7
JL6010U24Y	24	18~26.4	0.15	0.14	3.6	4800	0.591	20.87	0.169	4.30	36.3
JL6010H24Y	24	18~26.4	0.12	0.11	2.88	4200	0.511	18.05	0.132	3.35	33.2
JL6010M24Y	24	18~26.4	0.08	0.09	1.92	3600	0.44	15.54	0.094	2.40	30.7
JL6010L24Y	24	18~26.4	0.06	0.05	1.44	2600	0.38	13.42	0.065	1.65	24.7

■ PS: Where Y can be S .B.

九 龙 电 机

AC Axial Fan
AC轴流风机

AC All-Metal Axial Fan
AC全金属轴流风扇

DC Axial Fan
DC轴流风机

DC Centrifugal Fan
DC离心风机

EC Axial Fan
EC轴流风机

EC Centrifugal Fan
EC离心风机

AC Centrifugal Fan
AC离心风机

Fan Accessories
风机配件



JULONG MOTOR
AC/DC FANS COOLING FANS

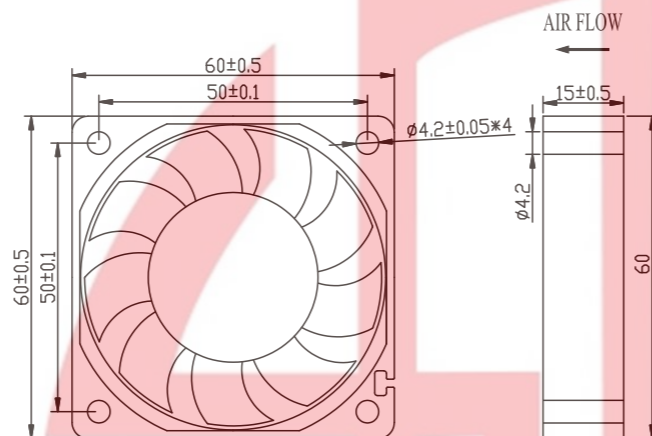


本样机仅供参考，具体以规格书为准。
This sample book is for reference only. Please refer to the specification for details.
如需特殊电压也可特别定制提供。本公司保留技术知识产权。
Special voltage may be provided (necessary according to the requirement) through technical modification reserved.

Http://www.xtgygs.cn



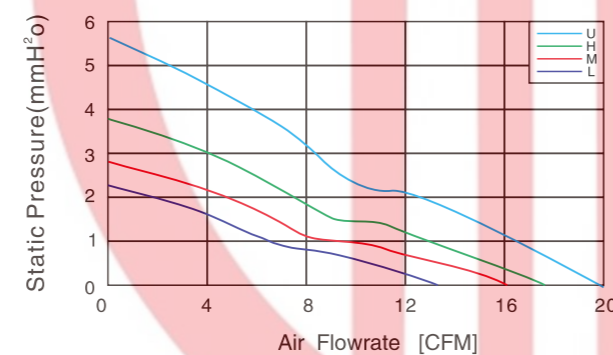
DIMENSIONS DRAWING



DC AXIAL FAN 60*60*15MM 2 SERIES

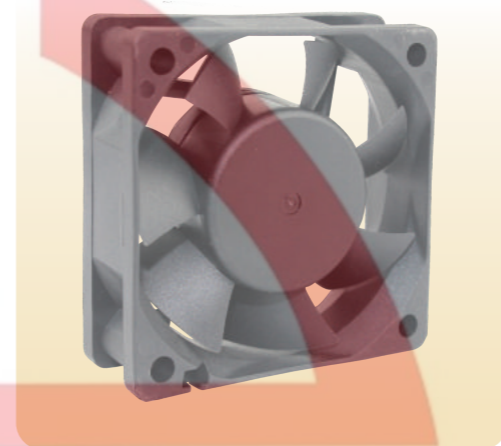
Material
UL 1007 AWG # 28 OR Equivalent
Red Wire:Positive (+)
Black Wire:Negative (-)
Yellow wire:FG or RD Signal

P & Q CURVE (AT RATED VOLTAGE)

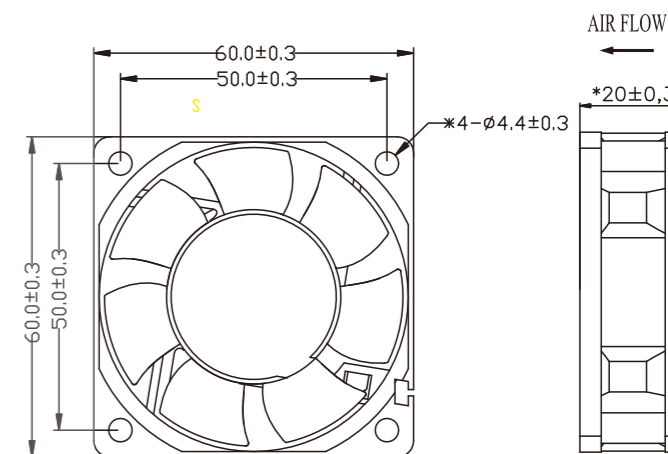


MODEL NO	RATED VOLTAGE V	OPERATING VOLTAGE V	RATED CURRENT A	ACTUAL CURRENT A	RATED POWER	RATED SPEED RPM (±10%)	MAX. AIR FLOW		MAX.STATIC AIR PRESSURE		NOISE LEVEL db(A)
							CMM	CFM	InH ₂ O	mmH ₂ O	
JL6015U12Y	12	7~13.2	0.2	0.18	2.4	5000	0.64	22.77	0.24	6.1	35.9
JL6015H12Y	12	7~13.2	0.15	0.13	1.8	4200	0.541	19.12	0.169	4.3	32.1
JL6015M12Y	12	7~13.2	0.11	0.09	1.3	3500	0.45	15.9	0.115	2.92	28.2
JL6015L12Y	12	7~13.2	0.08	0.07	1.0	3000	0.387	13.67	0.089	2.26	24.7
JL6015U24Y	24	14~26.4	0.14	0.12	3.4	5000	0.64	22.77	0.24	6.1	35.9
JL6015H24Y	24	14~26.4	0.1	0.09	2.4	4200	0.541	19.12	0.169	4.3	32.1
JL6015M24Y	24	14~26.4	0.07	0.06	1.7	3500	0.45	15.9	0.115	2.92	28.2
JL6015L24Y	24	14~26.4	0.05	0.04	1.2	3000	0.387	13.67	0.089	2.26	24.7

■ PS:Where Y can be S .B.



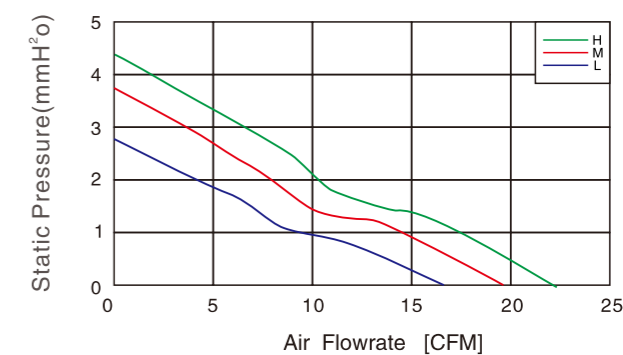
DIMENSIONS DRAWING



DC AXIAL FAN 60*60*20MM SERIES

Material
UL 1007 AWG # 24 OR Equivalent
Red Wire:Positive (+)
Black Wire:Negative (-)
Yellow wire:FG or RD Signal

P & Q CURVE (AT RATED VOLTAGE)



MODEL NO	RATED VOLTAGE V	OPERATING VOLTAGE V	RATED CURRENT A	ACTUAL CURRENT A	RATED POWER	RATED SPEED RPM (±10%)	MAX. AIR FLOW		MAX.STATIC AIR PRESSURE		NOISE LEVEL db(A)
							CMM	CFM	InH ₂ O	mmH ₂ O	
JL6020H12Y	12	7~13.2	0.2	0.18	2.4	4500	0.647	22.849	0.232	5.893	34.2
JL6020M12Y	12	7~13.2	0.17	0.15	2.04	4000	0.574	20.271	0.181	4.597	32.6
JL6020L12Y	12	7~13.2	0.13	0.12	1.56	3500	0.507	17.905	0.143	3.632	29.7
JL6020H24Y	24	14~26.4	0.13	0.11	3.12	4500	0.647	22.849	0.232	5.893	34.2
JL6020M24Y	24	18~26.4	0.1	0.09	2.4	4000	0.574	20.271	0.181	4.597	32.6
JL6020L24Y	24	18~26.4	0.08	0.07	1.92	3500	0.507	17.905	0.143	3.632	29.7

■ PS:Where Y can be S .B.

九 龙 电 机



JULONG MOTOR
AC/DC FANS COOLING FANS

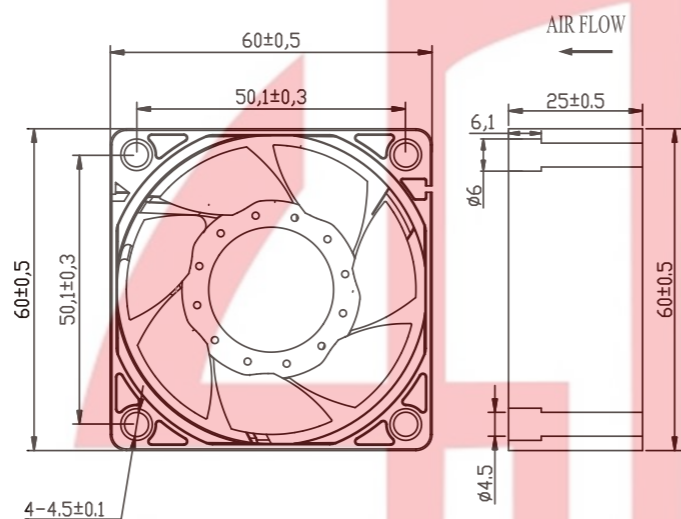


本样图仅供参考，具体以实物为准。
This sample book is for reference only, please refer to the specification for details.
如需特殊电压也可根据需求提供，本公司保留技术知识产权。
Special voltage may be provided flexibly according to the requirement, although technical intellectual property reserved.

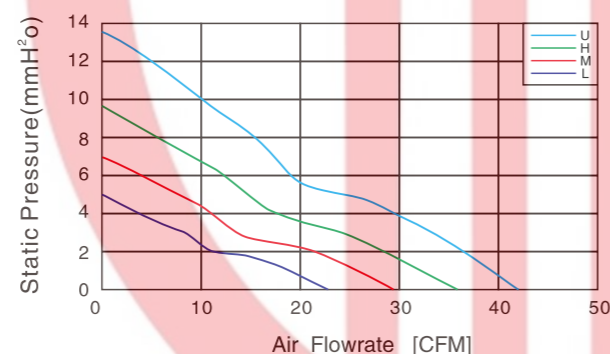
Http://www.xtgygs.cn



DIMENSIONS DRAWING



P & Q CURVE (AT RATED VOLTAGE)

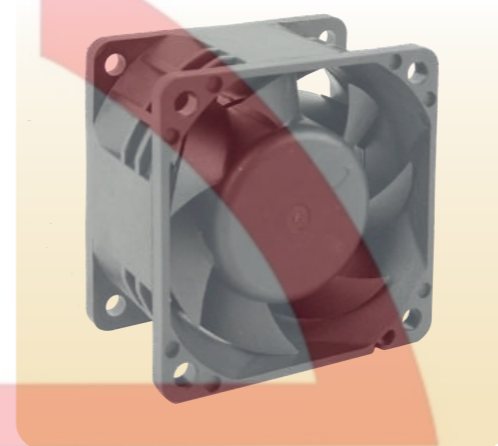


DC AXIAL FAN
60*60*25MM 2 SERIES

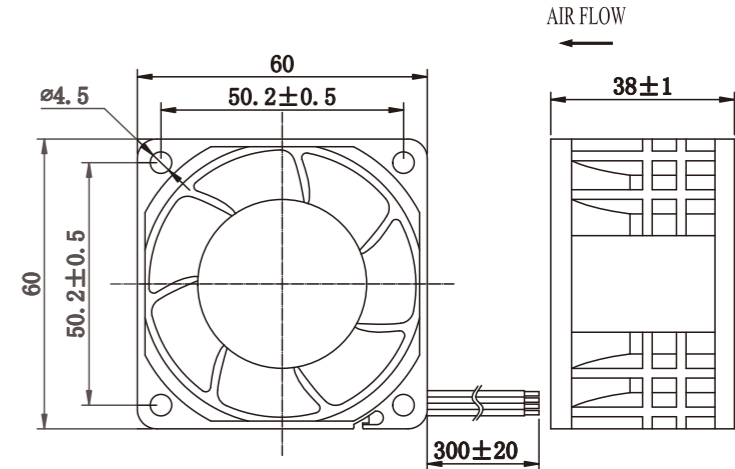
Material
UL 1007 AWG # 24 OR Equivalent
Red Wire:Positive (+)
Black Wire:Negative (-)
Yellow wire:FG or RD Signal

MODEL NO	RATED VOLTAGE V	OPERATING VOLTAGE V	RATED CURRENT A	ACTUAL CURRENT A	RATED POWER	RATED SPEED RPM (±10%)	MAX. AIR FLOW		MAX.STATIC AIR PRESSURE		NOISE LEVEL db(A)
							CMM	CFM	InH2O	mmH2O	
JL6025U12B	12	7~13.2	0.6	0.54	7.2	7200	1.226	43.28	0.681	17.3	47.8
JL6025H12B	12	7~13.2	0.3	0.27	3.6	6000	1.021	36.06	0.473	12.01	43.9
JL6025M12Y	12	7~13.2	0.24	0.21	2.88	5000	0.851	30.05	0.263	8.34	40.0
JL6025L12Y	12	7~13.2	0.2	0.18	2.4	4200	0.715	25.25	0.189	5.89	35.7
JL6025U24B	24	14~26.4	0.3	0.28	7.2	7200	1.226	43.28	0.681	17.3	47.8
JL6025H24B	24	14~26.4	0.2	0.18	4.8	6000	1.021	36.06	0.473	12.01	43.9
JL6025M24Y	24	14~26.4	0.14	0.12	3.36	5000	0.851	30.05	0.263	8.34	40.0
JL6025L24Y	24	14~26.4	0.1	0.09	2.4	4200	0.715	25.25	0.189	5.89	35.7
JL6025U48B	48	36~52.8	0.18	0.16	8.64	7200	1.226	43.28	0.681	17.3	47.8
JL6025H24B	48	36~52.8	0.12	0.1	5.76	6000	1.021	36.06	0.473	12.01	43.9
JL6025M24Y	48	36~52.8	0.09	0.08	4.32	5000	0.851	30.05	0.263	8.34	40.0
JL6025L24Y	48	36~52.8	0.06	0.05	2.88	4200	0.715	25.25	0.189	5.89	35.7

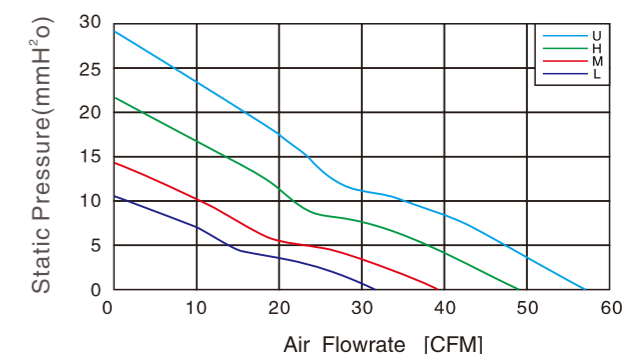
■ PS:Where Y can be S .B.



DIMENSIONS DRAWING



P & Q CURVE (AT RATED VOLTAGE)



DC AXIAL FAN
60*60*38MM SERIES

Material
UL 1007 AWG # 24 OR Equivalent
Red Wire:Positive (+)
Black Wire:Negative (-)
Yellow wire:FG or RD Signal

MODEL NO	RATED VOLTAGE V	OPERATING VOLTAGE V	RATED CURRENT A	ACTUAL CURRENT A	RATED POWER	RATED SPEED RPM (±10%)	MAX. AIR FLOW		MAX.STATIC AIR PRESSURE		NOISE LEVEL db(A)
							CMM	CFM	InH2O	mmH2O	
JL6038H12B	12	6~13.2	0.85	0.78	10.2	8500	1.36	48.20	0.93	23.5	53.4
JL6038M12B	12	6~13.2	0.5	0.45	6	7000	1.11	39.10	0.63	15.96	47.9
JL6038L12B	12	6~13.2	0.40	0.35	4.8	6000	0.95	33.51	0.46	11.72	44.3
JL6038U24B	24	12~26.4	0.65	0.57	15.6	10000	1.60	56.68	1.28	32.56	57.9
JL6038H24B	24	12~26.4	0.45	0.4	10.8	8500	1.36	48.20	0.93	23.5	53.4
JL6038M24B	24	12~26.4	0.3	0.25	7.2	7000	1.11	39.10	0.63	15.96	47.9
JL6038L24B	24	12~26.4	0.25	0.2	6	6000	0.95	33.51	0.46	11.72	44.3
JL6038U48B	48	36~52.8	0.35	0.3	16.8	10000	1.60	56.68	1.28	32.56	57.9
JL6038H48B	48	36~52.8	0.28	0.22	13.44	8500	1.36	48.20	0.93	23.5	53.4
JL6038M48B	48	36~52.8	0.18	0.15	8.64	7000	1.11	39.10	0.63	15.96	47.9
JL6038L48B	48	36~52.8	0.15	0.12	7.2	6000	0.95	33.51	0.46	11.72	44.3

■ PS:Where Y can be S .B.

AC Axial Fan
AC轴流风机

AC All-Metal Axial Fan
AC全金属轴流风扇

DC Axial Fan
DC轴流风机

DC Centrifugal Fan
DC离心风机

EC Axial Fan
EC轴流风机

EC Centrifugal Fan
EC离心风机

AC Centrifugal Fan
AC离心风机

Fan Accessories
风机配件



JULONG MOTOR
AC/DC FANS COOLING FANS

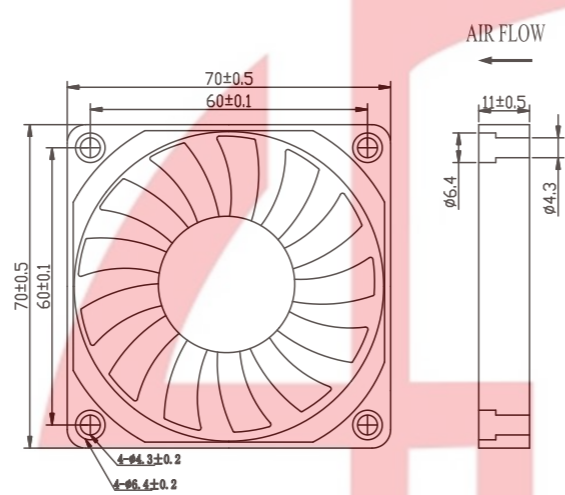


本样册仅供参考，具体以规格书为准。
This sample book is for reference only. Please refer to the specification for details.
如需特殊电压也可特别定制提供。本公司保留技术更改权利。
Special voltage may be provided flexibly according to the enquiry. All technical modification rights reserved.

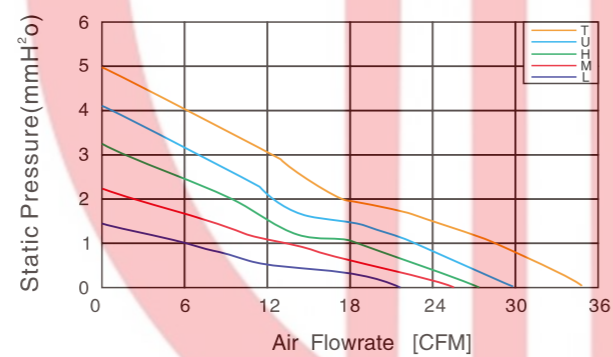
Http://www.xtgygs.cn



DIMENSIONS DRAWING



P & Q CURVE (AT RATED VOLTAGE)

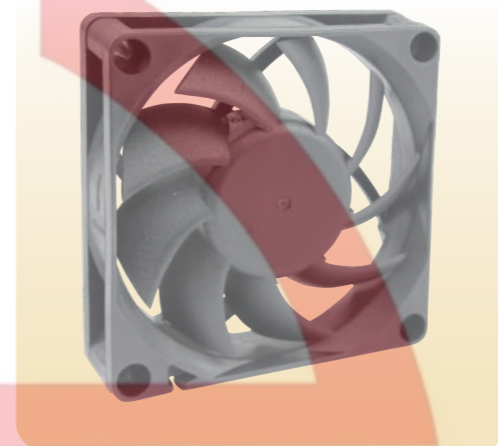


DC AXIAL FAN
70*70*10MM SERIES

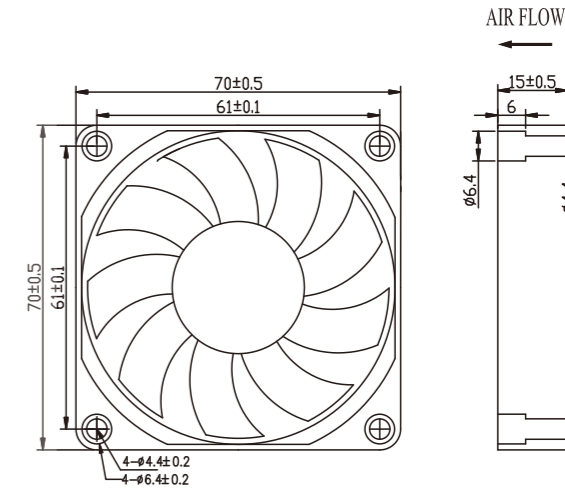
Material
UL 1007 AWG # 28 OR Equivalent
Red Wire:Positive (+)
Black Wire:Negative (-)
Yellow wire:FG or RD Signal

MODEL NO	RATED VOLTAGE V	OPERATING VOLTAGE V	RATED CURRENT A	ACTUAL CURRENT A	RATED POWER	RATED SPEED RPM (±10%)	MAX. AIR FLOW		MAX.STATIC AIR PRESSURE		NOISE LEVEL db(A)
							CMM	CFM	InH2O	mmH2O	
JL7010T12Y	12	7~13.2	0.36	0.33	4.32	5000	0.972	34.33	0.197	5.00	40.7
JL7010U12Y	12	7~13.2	0.28	0.25	3.36	4400	0.831	29.35	0.159	4.04	37.9
JL7010H12Y	12	7~13.2	0.23	0.21	2.76	3800	0.81	28.61	0.121	3.07	33.6
JL7010M12Y	12	7~13.2	0.16	0.14	1.92	3200	0.768	27.12	0.089	2.26	30.1
JL7010L12Y	12	7~13.2	0.09	0.08	1.08	2600	0.636	22.46	0.059	1.50	23.8
JL7010T24Y	24	18~26.4	0.26	0.23	6.24	5000	0.972	34.33	0.197	5.00	40.7
JL7010U24Y	24	14~26.4	0.2	0.18	4.8	4400	0.831	29.35	0.159	4.04	37.9
JL7010H24Y	24	18~26.4	0.17	0.15	4.08	3800	0.81	28.61	0.121	3.07	33.6
JL7010M24Y	24	18~26.4	0.12	0.11	2.88	3200	0.768	27.12	0.089	2.26	30.1
JL7010L24Y	24	14~26.4	0.08	0.07	1.92	2600	0.636	22.46	0.059	1.50	23.8

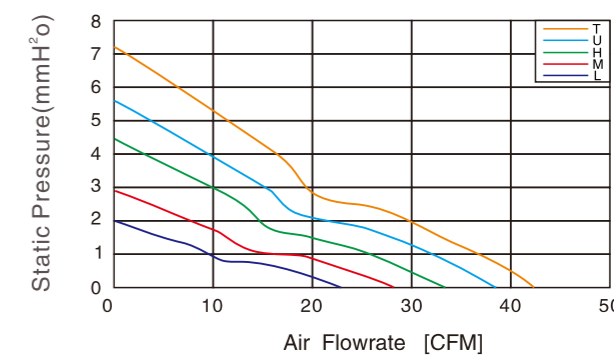
■ PS:Where Y can be S .B.



DIMENSIONS DRAWING



P & Q CURVE (AT RATED VOLTAGE)



DC AXIAL FAN
70*70*15MM SERIES

Material
UL 1007 AWG # 26 OR Equivalent
Red Wire:Positive (+)
Black Wire:Negative (-)
Yellow wire:FG or RD Signal

MODEL NO	RATED VOLTAGE V	OPERATING VOLTAGE V	RATED CURRENT A	ACTUAL CURRENT A	RATED POWER	RATED SPEED RPM (±10%)	MAX. AIR FLOW		MAX.STATIC AIR PRESSURE		NOISE LEVEL db(A)
							CMM	CFM	InH2O	mmH2O	
JL7015T12Y	12	7~13.2	0.55	0.5	6.6	5000	1.23	43.28	0.281	7.13	40.4
JL7015U12Y	12	7~13.2	0.42	0.38	5.04	4400	1.09	36.06	0.217	5.52	37.6
JL7015H12Y	12	7~13.2	0.3	0.27	3.6	3800	0.94	30.05	0.162	4.12	33.9
JL7015M12Y	12	7~13.2	0.24	0.21	2.88	3200	0.79	25.25	0.115	2.92	27.5
JL7015L12Y	12	14~26.4	0.15	0.13	1.8	2600	0.64	43.28	0.076	1.93	22.8
JL7015T24Y	24	18~26.4	0.29	0.26	6.96	5000	1.23	36.06	0.281	7.13	40.4
JL7015U24Y	24	18~26.4	0.22	0.2	5.28	4400	1.09	30.05	0.217	5.52	37.6
JL7015H24Y	24	18~26.4	0.16	0.14	3.84	3800	0.94	25.25	0.162	4.12	33.9
JL7015M24Y	24	18~26.4	0.12	0.11	2.88	3200	0.79	43.28	0.115	2.92	27.5
JL7015L24Y	24	18~26.4	0.07	0.06	1.68	2600	0.64	36.06	0.076	1.93	22.8

■ PS:Where Y can be S .B.

AC Axial Fan
AC轴流风机

AC All-Metal Axial Fan
AC全金属轴流风扇

DC Axial Fan
DC轴流风机

DC Centrifugal Fan
DC离心风机

EC Axial Fan
EC轴流风机

EC Centrifugal Fan
EC离心风机

AC Centrifugal Fan
AC离心风机

Fan Accessories
风机配件



JILONG MOTOR
AC/DC FANS COOLING FANS

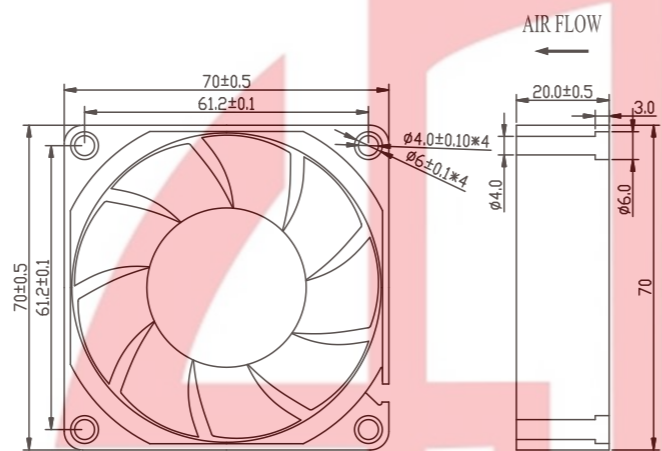


本样机仅供参考，具体以规格书为准。
This sample book is for reference only. Please refer to the specification for details.
如需特殊电压也可根据规格书提供。本公司保留技术更改权利。
Special voltage may be provided according to the enquiry. All technical modification rights reserved.

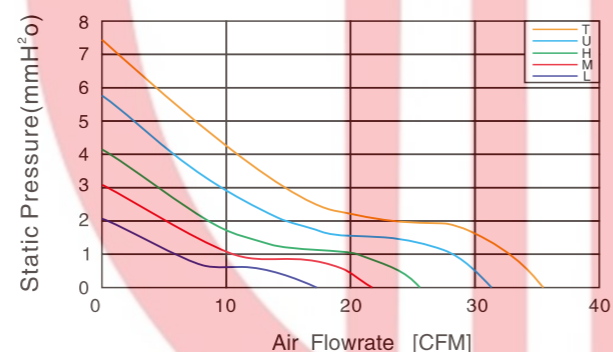
Http://www.xtgygs.cn



DIMENSIONS DRAWING



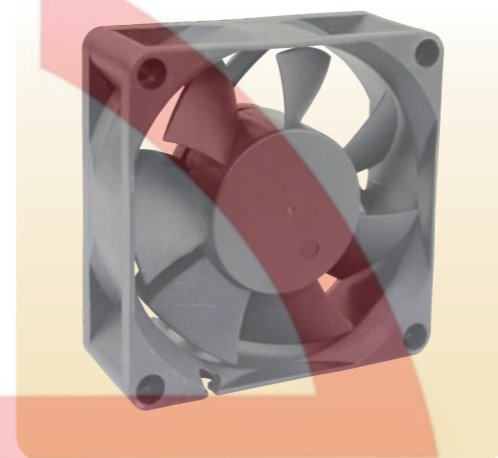
P & Q CURVE (AT RATED VOLTAGE)



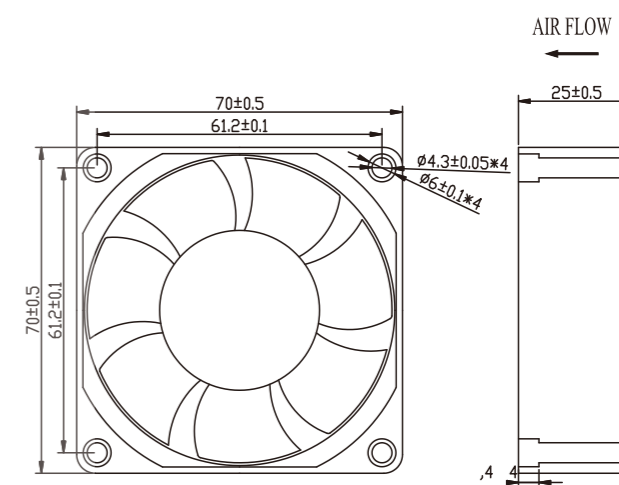
DC AXIAL FAN
70*70*20MM SERIES

Material
UL 1007 AWG # 26 OR Equivalent
Red Wire:Positive (+)
Black Wire:Negative (-)
Yellow wire:FG or RD Signal

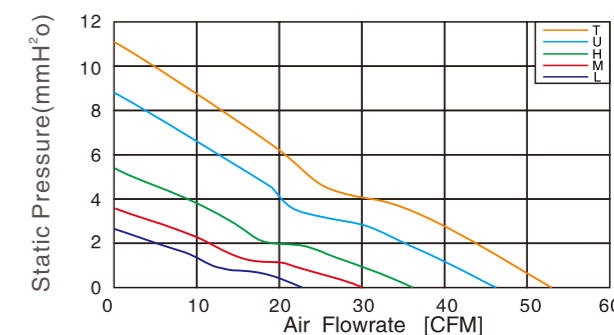
MODEL NO	RATED VOLTAGE V	OPERATING VOLTAGE V	RATED CURRENT A	ACTUAL CURRENT A	RATED POWER	RATED SPEED RPM (±10%)	MAX. AIR FLOW		MAX.STATIC AIR PRESSURE		NOISE LEVEL db(A)
							CMM	CFM	InH ₂ O	mmH ₂ O	
JL7020L12	12	6.0~13.5	0.12	0.10	1.44	2500	0.489	17.29	0.082	2.068	36.2
JL7020L24	24	18~26.5	0.08	0.06	1.92	2500	0.489	17.29	0.082	2.068	36.2
JL7020M12	12	6.0~13.5	0.2	0.18	2.4	3000	0.619	21.89	0.122	3.101	31
JL7020M24	24	18~26.5	0.11	0.09	2.64	3000	0.619	21.89	0.122	3.101	31
JL7020H12	12	6.0~13.5	0.24	0.22	2.88	3500	0.723	25.54	0.163	4.135	35.2
JL7020H24	24	18~26.5	0.13	0.11	3.12	3500	0.723	25.54	0.163	4.135	35.2
JL7020H12-HH	12	6.0~13.5	0.25	0.23	3	4000	0.888	31.38	0.229	5.814	37.1
JL7020H24-HH	24	18~26.5	0.17	0.15	4.08	4000	0.888	31.38	0.229	5.814	37.1
JL7020H12-VH	12	6.0~13.5	0.35	0.33	4.2	4500	1.004	35.48	0.551	7.494	39.4
JL7020H24-VH	24	18~26.5	0.22	0.20	5.28	4500	1.004	35.48	0.551	7.494	39.4



DIMENSIONS DRAWING



P & Q CURVE (AT RATED VOLTAGE)



DC AXIAL FAN
70*70*25MM SERIES

Material
UL 1007 AWG # 24 OR Equivalent
Red Wire:Positive (+)
Black Wire:Negative (-)
Yellow wire:FG or RD Signal

MODEL NO	RATED VOLTAGE V	OPERATING VOLTAGE V	RATED CURRENT A	ACTUAL CURRENT A	RATED POWER	RATED SPEED RPM (±10%)	MAX. AIR FLOW		MAX.STATIC AIR PRESSURE		NOISE LEVEL db(A)
							CMM	CFM	InH ₂ O	mmH ₂ O	
JL7025T12Y	12	6~13.2	0.6	0.55	7.2	5600	1.498	52.9	0.448	11.39	47.9
JL7025U12Y	12	6~13.2	0.4	0.35	4.8	4800	1.283	45.3	0.330	8.37	44.5
JL7025H12Y	12	6~13.2	0.28	0.25	3.36	3800	1.017	35.9	0.207	5.25	39.5
JL7025M12Y	12	6~13.2	0.17	0.15	2.04	3200	0.856	30.24	0.146	3.72	35.7
JL7025L12Y	12	6~13.2	0.07	0.06	0.84	2600	0.697	24.6	0.097	2.46	31.2
JL7025T24Y	24	12~26.4	0.3	0.28	7.2	5600	1.498	52.9	0.448	11.39	47.9
JL7025U24Y	24	12~26.4	0.2	0.18	4.8	4800	1.283	45.3	0.330	8.37	44.5
JL7025H24Y	24	12~26.4	0.15	0.13	3.6	3800	1.017	35.9	0.207	5.25	39.5
JL7025M24Y	24	12~26.4	0.09	0.08	2.16	3200	0.856	30.24	0.146	3.72	35.7
JL7025L24Y	24	12~26.4	0.04	0.03	0.96	2600	0.697	24.6	0.097	2.46	31.2
JL7025T48Y	48	36~52.8	0.15	0.14	7.2	5600	1.498	52.9	0.448	11.39	47.9
JL7025U48Y	48	36~52.8	0.1	0.09	4.8	4800	1.283	45.3	0.330	8.37	44.5
JL7025H48Y	48	36~52.8	0.08	0.07	3.84	3800	1.017	35.9	0.207	5.25	39.5
JL7025M48Y	48	36~52.8	0.05	0.04	2.4	3200	0.856	30.24	0.146	3.72	35.7
JL7025L48Y	48	36~52.8	0.03	0.02	1.44	2600	0.697	24.6	0.097	2.46	31.2

PS:Where Y can be S .B.

AC Axial Fan
AC轴流风机

AC All-Metal Axial Fan
AC全金属轴流风扇

DC Axial Fan
DC轴流风机

DC Centrifugal Fan
DC离心风机

EC Axial Fan
EC轴流风机

EC Centrifugal Fan
EC离心风机

AC Centrifugal Fan
AC离心风机

Fan Accessories
风机配件



JILONG MOTOR
AC/DC FANS COOLING FANS

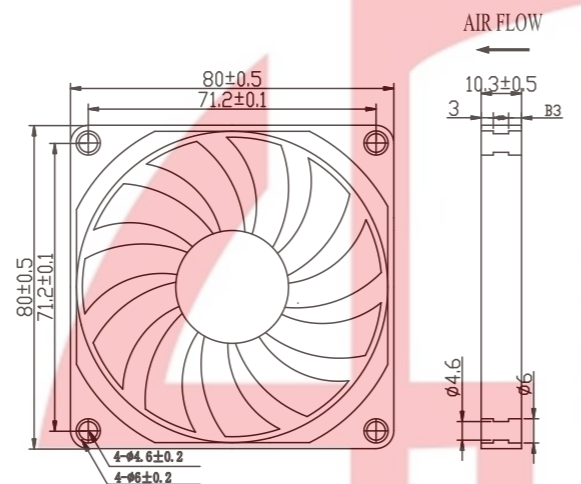


本样图仅供参考，具体以规格书为准。
This sample book is for reference only. Please refer to the specification for details.
如需特殊电压也可根据规格书提供。本公司保留技术知识产权。
Special voltage may be provided flexibly according to the requirement. All technical modification rights reserved.

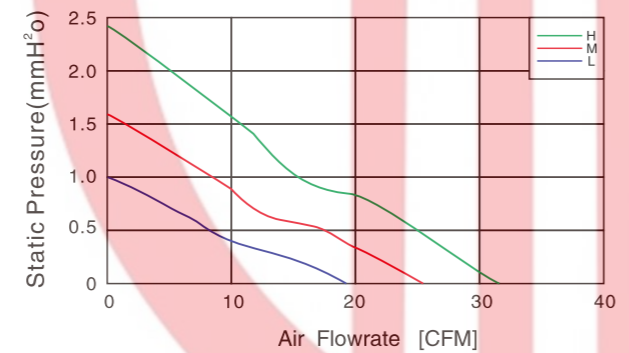
Http://www.xtgygs.cn



DIMENSIONS DRAWING



P & Q CURVE (AT RATED VOLTAGE)

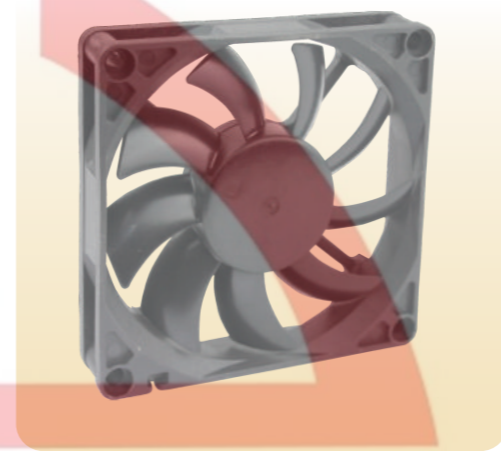


DC AXIAL FAN
80*80*10MM SERIES

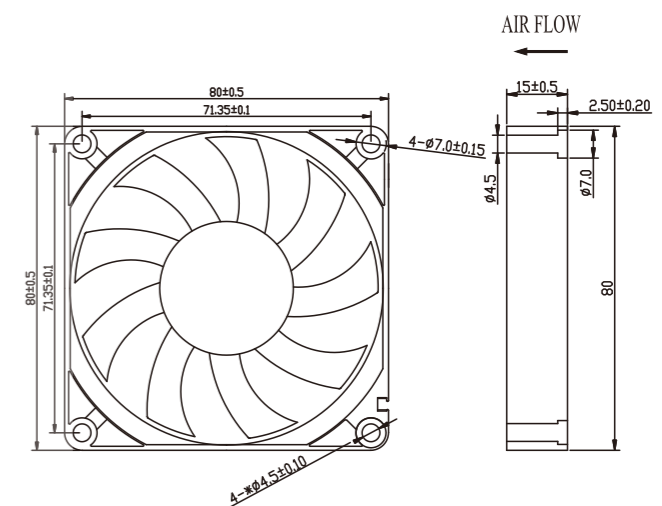
Material
UL 1007 AWG # 28 OR Equivalent
Red Wire:Positive (+)
Black Wire:Negative (-)
Yellow wire:FG or RD Signal

MODEL NO	RATED VOLTAGE V	OPERATING VOLTAGE V	RATED CURRENT A	ACTUAL CURRENT A	RATED POWER	RATED SPEED RPM (±10%)	MAX. AIR FLOW		MAX.STATIC AIR PRESSURE		NOISE LEVEL db(A)
							CMM	CFM	InH2O	mmH2O	
JL8010H12Y	12	7~13.2	0.18	0.16	2.16	3000	0.86	30.5	0.1	2.42	30.2
JL8010M12Y	12	7~13.2	0.15	0.13	1.8	2500	0.71	25.24	0.06	1.54	26.1
JL8010L12Y	12	7~13.2	0.12	0.1	1.44	2000	0.55	19.51	0.04	0.96	19.8

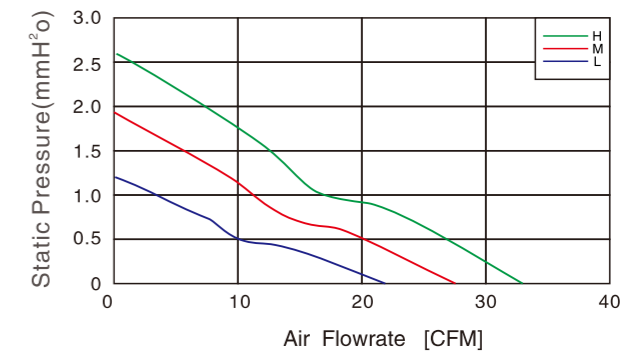
■ PS:Where Y can be S .B.



DIMENSIONS DRAWING



P & Q CURVE (AT RATED VOLTAGE)



DC AXIAL FAN
80*80*15MM SERIES

Material
UL 1007 AWG # 26 OR Equivalent
Red Wire:Positive (+)
Black Wire:Negative (-)
Yellow wire:FG or RD Signal

MODEL NO	RATED VOLTAGE V	OPERATING VOLTAGE V	RATED CURRENT A	ACTUAL CURRENT A	RATED POWER	RATED SPEED RPM (±10%)	MAX. AIR FLOW		MAX.STATIC AIR PRESSURE		NOISE LEVEL db(A)
							CMM	CFM	InH2O	mmH2O	
JL8015H12Y	12	7~13.2	0.24	0.21	2.88	3000	0.929	32.8	0.1	2.54	29.7
JL8015M12Y	12	7~13.2	0.18	0.16	2.16	2500	0.777	27.43	0.074	1.89	24.3
JL8015L12Y	12	7~13.2	0.1	0.09	1.2	2000	0.605	21.36	0.048	1.21	20.4
JL8015H24Y	24	14~26.4	0.09	0.08	2.16	3000	0.929	32.8	0.1	2.54	29.7
JL8015M24Y	24	14~26.4	0.08	0.06	1.92	2500	0.777	27.43	0.074	1.89	24.3
JL8015L24Y	24	14~26.4	0.05	0.04	1.2	2000	0.605	21.36	0.048	1.21	20.4

■ PS:Where Y can be S .B.

九 龙 电 机

AC Axial Fan
AC轴流风机

AC All-Metal Axial Fan
AC全金属轴流风扇

DC Axial Fan
DC轴流风机

DC Centrifugal Fan
DC离心风机

EC Axial Fan
EC轴流风机

EC Centrifugal Fan
EC离心风机

AC Centrifugal Fan
AC离心风机

Fan Accessories
风机配件



JILONG MOTOR
AC/DC FANS COOLING FANS



UL 1007
E248719

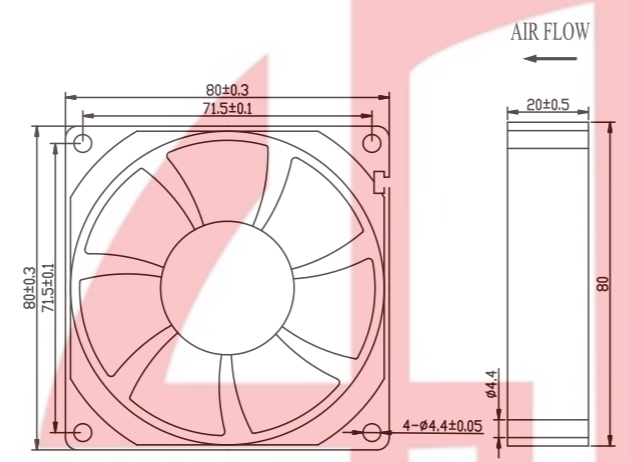


本样机仅供参考，具体以规格书为准。
This sample book is for reference only. Please refer to the specification for details.
如需特殊电压也可特别定制提供。本公司保留技术知识产权。
Special voltage may be provided, necessary according to the requirement. All technical modification rights reserved.

Http://www.xtgygs.cn



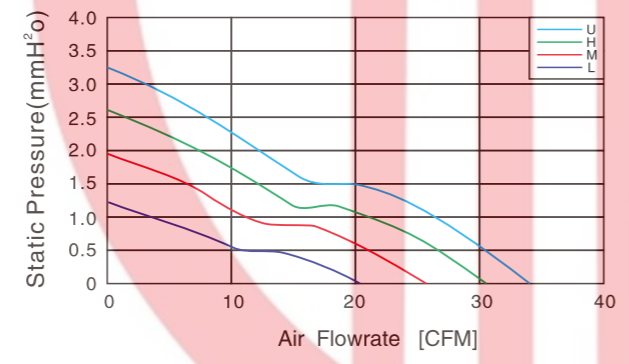
DIMENSIONS DRAWING



DC AXIAL FAN
80*80*20MM SERIES

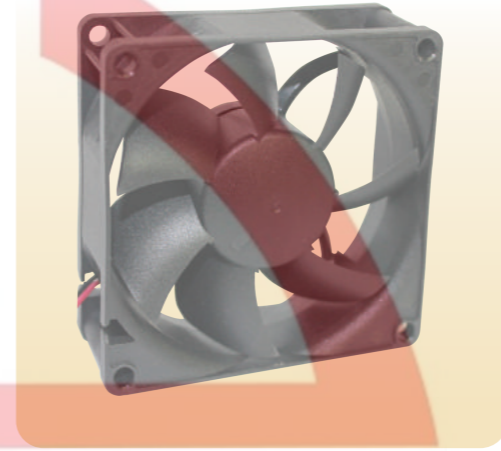
Material
UL 1007 AWG # 24 OR Equivalent
Red Wire:Positive (+)
Black Wire:Negative (-)
Yellow wire:FG or RD Signal

P & Q CURVE (AT RATED VOLTAGE)

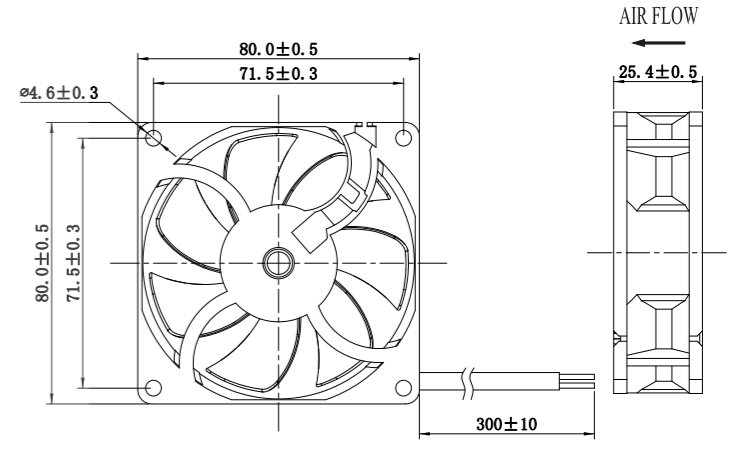


MODEL NO	RATED VOLTAGE V	OPERATING VOLTAGE V	RATED CURRENT A	ACTUAL CURRENT A	RATED POWER	RATED SPEED RPM (±10%)	MAX. AIR FLOW		MAX.STATIC AIR PRESSURE		NOISE LEVEL db(A)
							CMM	CFM	InH2O	mmH2O	
JL8020U12Y	12	6~13.2	0.34	0.3	4.08	3600	0.949	33.52	0.129	3.27	36.4
JL8020H12Y	12	6~13.2	0.24	0.21	2.88	3000	0.875	30.9	0.102	2.59	31.9
JL8020M12Y	12	6~13.2	0.15	0.13	1.8	2500	0.747	26.37	0.076	1.92	25
JL8020L12Y	12	6~13.2	0.12	0.1	1.44	2000	0.801	20.6	0.039	1.33	21.5

■ PS:Where Y can be S .B.



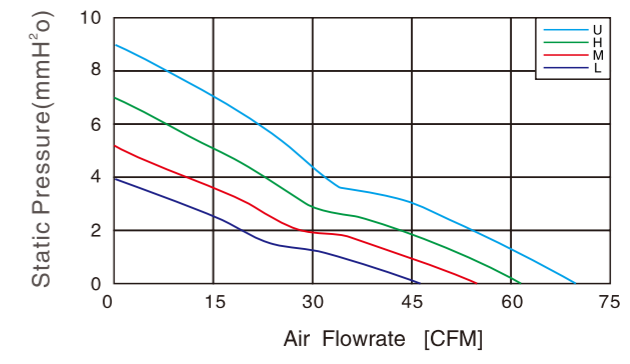
DIMENSIONS DRAWING



DC FAN
80*80*25MM SERIES

Material
UL 1007 AWG # 24 OR Equivalent
Red Wire:Positive (+)
Black Wire:Negative (-)
Yellow wire:FG or RD Signal

P & Q CURVE (AT RATED VOLTAGE)



MODEL NO	RATED VOLTAGE V	OPERATING VOLTAGE V	RATED CURRENT A	ACTUAL CURRENT A	RATED POWER	RATED SPEED RPM (±10%)	MAX. AIR FLOW		MAX.STATIC AIR PRESSURE		NOISE LEVEL db(A)
							CMM	CFM	InH2O	mmH2O	
JL8025H12B	12	6~13.2	0.5	0.45	6	4000	1.73	61.18	0.274	6.96	39.7
JL8025M12Y	12	6~13.2	0.35	0.29	4.2	3500	1.51	53.50	0.210	5.33	37.1
JL8025L12Y	12	6~13.2	0.25	0.21	3	3000	1.30	45.90	0.154	3.92	33.8
JL8025U24B	24	12~26.4	0.3	0.25	7.2	4500	1.95	68.83	0.347	8.81	42.6
JL8025H24Y	24	12~26.4	0.25	0.23	6	4000	1.73	61.18	0.274	6.96	39.7
JL8025M24Y	24	12~26.4	0.2	0.18	4.8	3500	1.51	53.50	0.210	5.33	37.1
JL8025L24Y	24	12~26.4	0.15	0.13	3.6	3000	1.30	45.90	0.154	3.92	33.8
JL8025U48B	48	24~52.8	0.27	0.25	12.96	4500	1.95	68.83	0.347	8.81	42.6
JL8025H48Y	48	24~52.8	0.2	0.18	9.6	4000	1.73	61.18	0.274	6.96	39.7
JL8025M48Y	48	24~52.8	0.13	0.12	6.24	3500	1.51	53.50	0.210	5.33	37.1
JL8025L48Y	48	24~52.8	0.09	0.08	4.32	3000	1.30	45.90	0.154	3.92	33.8

■ PS:Where Y can be S .B.

九 龙 电 机

AC Axial Fan
AC轴流风机

AC All-Metal Axial Fan
AC全金属轴流风扇

DC Axial Fan
DC轴流风机

DC Centrifugal Fan
DC离心风机

EC Axial Fan
EC轴流风机

EC Centrifugal Fan
EC离心风机

AC Centrifugal Fan
AC离心风机

Fan Accessories
风机配件



JULONG MOTOR
AC/DC FANS COOLING FANS

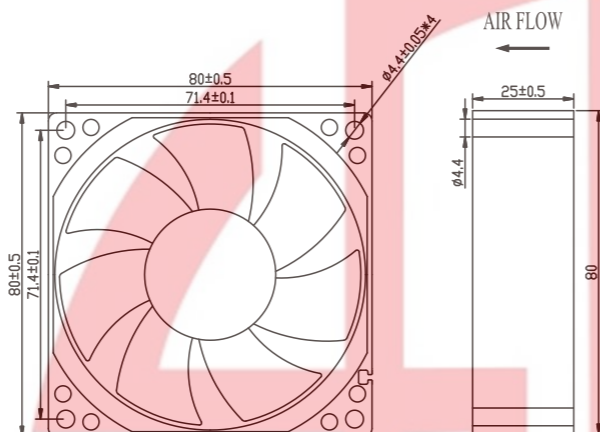


本样机仅供参考，具体以规格书为准。
This sample book is for reference only. Please refer to the specification for details.
如需特殊电压也可根据规格书提供。本公司保留技术更改权利。
Special voltage may be provided according to the requirement. All technical modification rights reserved.

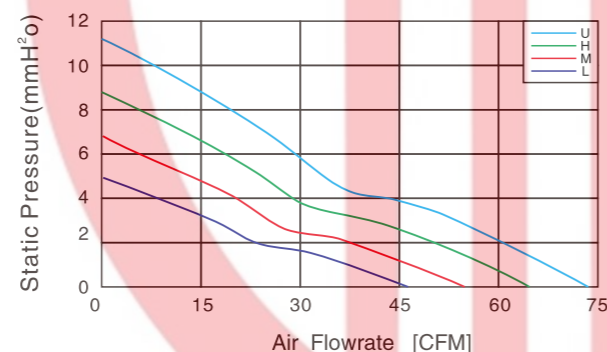
Http://www.xtgygs.cn



DIMENSIONS DRAWING



P & Q CURVE (AT RATED VOLTAGE)



DC FAN
80*80*25MM SERIES

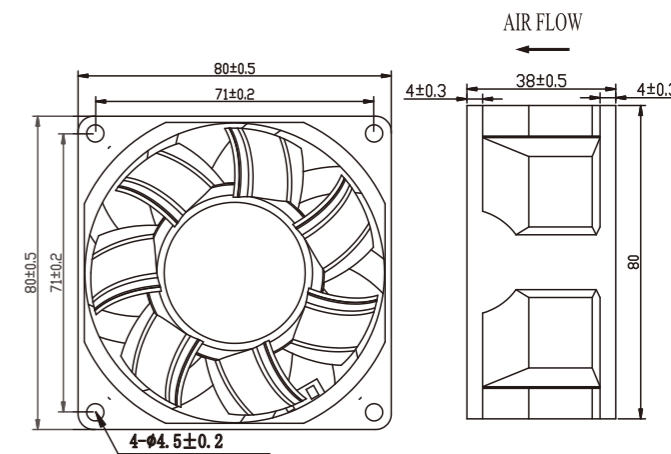
Material
UL 1007 AWG # 24 OR Equivalent
Red Wire:Positive (+)
Black Wire:Negative (-)
Yellow wire:FG or RD Signal

MODEL NO	RATED VOLTAGE V	OPERATING VOLTAGE V	RATED CURRENT A	ACTUAL CURRENT A	RATED POWER	RATED SPEED RPM (±10%)	MAX. AIR FLOW		MAX.STATIC AIR PRESSURE		NOISE LEVEL db(A)
							CMM	CFM	InH2O	mmH2O	
JL8025U12B	12	6~13.2	0.5	0.45	6	4800	2.084	73.58	0.435	11.04	49.1
JL8025H12Y	12	6~13.2	0.33	0.3	3.96	4200	1.823	64.38	0.333	8.45	46.2
JL8025M12Y	12	6~13.2	0.22	0.19	2.64	3600	1.563	55.2	0.244	6.21	42.8
JL8025L12Y	12	6~13.2	0.12	0.11	1.44	3000	1.303	46	0.170	4.31	38.9
JL8025U24B	24	12~26.4	0.28	0.25	6.72	4800	2.084	73.58	0.435	11.04	49.1
JL8025H24Y	24	12~26.4	0.18	0.16	4.32	4200	1.823	64.38	0.333	8.45	46.2
JL8025M24Y	24	12~26.4	0.11	0.1	2.64	3600	1.563	55.2	0.244	6.21	42.8
JL8025L24Y	24	12~26.4	0.07	0.06	1.68	3000	1.303	46	0.170	4.31	38.9
JL8025U48B	48	24~52.8	0.15	0.13	7.2	4800	2.084	73.58	0.435	11.04	49.1
JL8025H48Y	48	24~52.8	0.1	0.09	4.8	4200	1.823	64.38	0.333	8.45	46.2
JL8025M48Y	48	24~52.8	0.06	0.05	2.88	3600	1.563	55.2	0.244	6.21	42.8
JL8025L48Y	48	24~52.8	0.04	0.03	1.92	3000	1.303	46	0.170	4.31	38.9

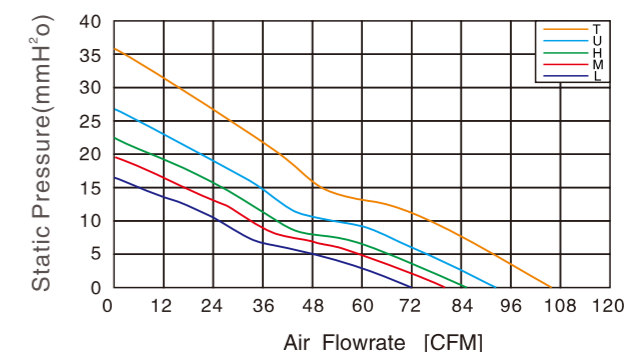
PS:Where Y can be S .B.



DIMENSIONS DRAWING



P & Q CURVE (AT RATED VOLTAGE)



DC AXIAL FAN
80*80*38MM SERIES

Material
UL 1007 AWG # 24 OR Equivalent
Red Wire:Positive (+)
Black Wire:Negative (-)
Yellow wire:FG or RD Signal

MODEL NO	RATED VOLTAGE V	OPERATING VOLTAGE V	RATED CURRENT A	ACTUAL CURRENT A	RATED POWER	RATED SPEED RPM (±10%)	MAX. AIR FLOW		MAX.STATIC AIR PRESSURE		NOISE LEVEL db(A)
							CMM	CFM	InH2O	mmH2O	
JL8038M12Y	12	6~13.2	0.9	0.8	10.8	6000	2.39	84.4	0.90	22.8	54.8
JL8038L12Y	12	6~13.2	0.8	0.7	9.6	5500	2.19	77.4	0.76	19.2	52.6
JL8038S12Y	12	6~13.2	0.7	0.65	8.4	5000	1.99	70.34	0.62	15.8	49
JL8038U24Y	24	12~26.4	0.8	0.65	19.2	7500	2.99	105.5	1.41	35.7	61.5
JL8038H24Y	24	12~26.4	0.6	0.57	14.4	6500	2.59	91.4	1.06	26.8	58.4
JL8038M24Y	24	12~26.4	0.45	0.42	10.8	6000	2.39	84.4	0.90	22.8	54.8
JL8038L24Y	24	12~26.4	0.38	0.35	9.12	5500	2.19	77.4	0.76	19.2	52.6
JL8038S24Y	24	12~26.4	0.35	0.32	8.4	5000	1.99	70.34	0.62	15.8	49
JL8038U48Y	48	24~52.8	0.48	0.45	23.04	7500	2.99	105.5	1.41	35.7	61.5
JL8038H48Y	48	24~52.8	0.35	0.3	16.8	6500	2.59	91.4	1.06	26.8	58.4
JL8038M48Y	48	24~52.8	0.25	0.2	12	6000	2.39	84.4	0.90	22.8	54.8
JL8038L48Y	48	24~52.8	0.2	0.18	9.6	5500	2.19	77.4	0.76	19.2	52.6
JL8038S48Y	48	24~52.8	0.18	0.16	8.64	5000	1.99	70.34	0.62	15.8	49

PS:Where Y can be S .B.

AC Axial Fan
AC轴流风机

AC All-Metal Axial Fan
AC全金属轴流风扇

DC Axial Fan
DC轴流风机

DC Centrifugal Fan
DC离心风机

EC Axial Fan
EC轴流风机

EC Centrifugal Fan
EC离心风机

AC Centrifugal Fan
AC离心风机

Fan Accessories
风机配件



JULONG MOTOR
AC/DC FANS COOLING FANS



UL
E248719

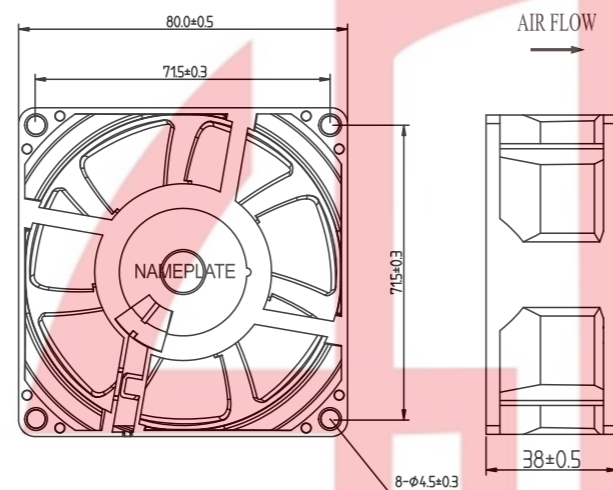


本样册仅供参考，具体规格以实物为准。
This sample book is for reference only. Please refer to the specification for details.
如需特殊电压也可根据需求提供。本公司保留技术更改权利。
Special voltage may be provided according to the requirement. All technical modification rights reserved.

Http://www.xtgygs.cn



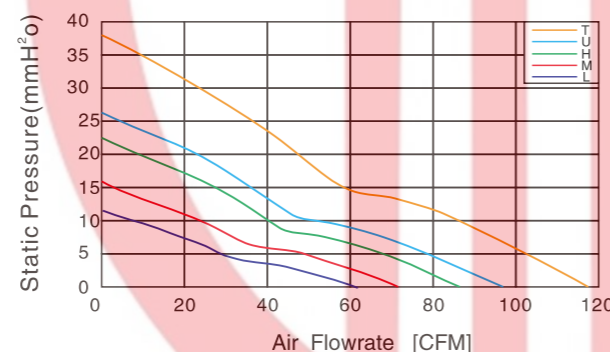
DIMENSIONS DRAWING



DC FAN
80*80*38MM SERIES

Material
UL 1007 AWG # 24 OR Equivalent
Red Wire:Positive (+)
Black Wire:Negative (-)
Yellow wire:FG or RD Signal

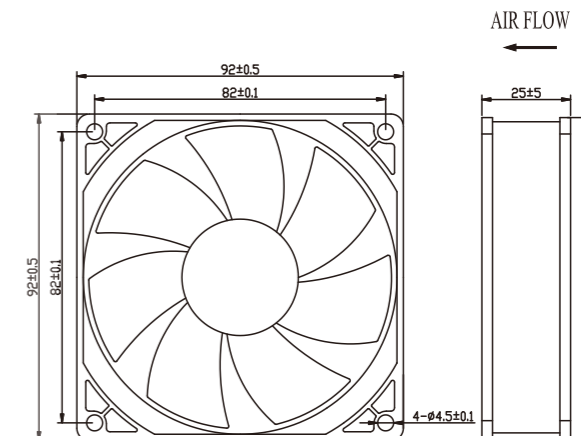
P & Q CURVE (AT RATED VOLTAGE)



MODEL NO	RATED VOLTAGE V	OPERATING VOLTAGE V	RATED CURRENT A	ACTUAL CURRENT A	RATED POWER	RATED SPEED RPM (±10%)	MAX. AIR FLOW		MAX.STATIC AIR PRESSURE		NOISE LEVEL db(A)
							CMM	CFM	InH2O	mmH2O	
JL8038H12B	12	6~13.2	1.3	1.2	15.16	6500	2.71	95.68	1.000	25.39	52.6
JL8038M12B	12	6~13.2	1.1	1.0	13.2	6000	2.50	88.32	0.852	21.63	50.8
JL8038L12B	12	6~13.2	0.7	0.65	8.4	5000	2.08	73.6	0.591	15.02	46.0
JL8038T24B	24	12~26.4	1.1	1.0	26.4	8000	3.33	117.76	1.516	38.5	56.5
JL8038U24B	24	12~26.4	0.7	0.65	16.8	6500	2.71	95.68	1.000	25.39	52.6
JL8038H24B	24	12~26.4	0.6	0.55	14.4	6000	2.50	88.32	0.852	21.63	50.8
JL8038M24B	24	12~26.4	0.4	0.35	9.6	5000	2.08	73.6	0.591	15.02	46.0
JL8038L24B	24	12~26.4	0.25	0.22	6	4200	1.75	61.8	0.417	10.6	42.2
JL8038T48B	48	36~52.4	0.7	0.65	33.6	8000	3.33	117.76	1.516	38.5	56.5
JL8038U48B	48	36~52.4	0.35	0.33	16.8	6500	2.71	95.68	1.000	25.39	52.6
JL8038H48B	48	36~52.4	0.3	0.28	14.4	6000	2.50	88.32	0.852	21.63	50.8
JL8038M48B	48	36~52.4	0.2	0.18	9.6	5000	2.08	73.6	0.591	15.02	46.0
JL8038L48B	48	36~52.4	0.13	0.12	6.24	4200	1.75	61.8	0.417	10.6	42.2



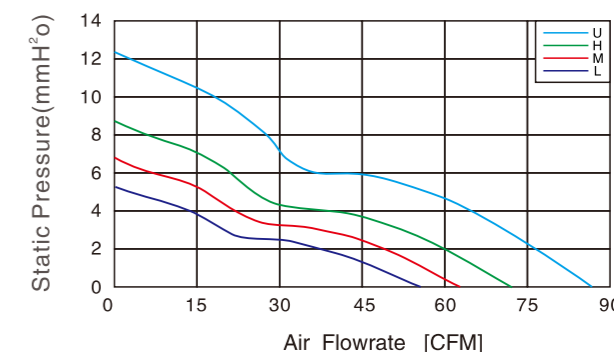
DIMENSIONS DRAWING



DC AXIAL FAN
92*92*25MM SERIES

Material
UL 1007 AWG # 24 OR Equivalent
Red Wire:Positive (+)
Black Wire:Negative (-)
Yellow wire:FG or RD Signal

P & Q CURVE (AT RATED VOLTAGE)



MODEL NO	RATED VOLTAGE V	OPERATING VOLTAGE V	RATED CURRENT A	ACTUAL CURRENT A	RATED POWER	RATED SPEED RPM (±10%)	MAX. AIR FLOW		MAX.STATIC AIR PRESSURE		NOISE LEVEL db(A)
							CMM	CFM	InH2O	mmH2O	
JL9225U12Y	12	6~13.2	0.85	0.78	10.2	4800	2.40	84.8	0.484	12.3	43.8
JL9225H12Y	12	6~13.2	0.5	0.48	6.0	4000	2.00	70.7	0.337	8.56	39.9
JL9225M12Y	12	6~13.2	0.2	0.18	2.4	3500	1.75	61.8	0.258	6.55	37.0
JL9225L12Y	12	6~13.2	0.14	0.12	1.68	3000	1.50	53.03	0.190	4.82	33.7
JL9225U24Y	24	12~26.4	0.4	0.36	9.6	4800	2.40	84.8	0.484	12.3	43.8
JL9225H24Y	24	12~26.4	0.3	0.26	7.2	4000	2.00	70.7	0.337	8.56	39.9
JL9225M24Y	24	12~26.4	0.23	0.2	5.52	3500	1.75	61.8	0.258	6.55	37.0
JL9225L24Y	24	12~26.4	1.05	0.13	25.2	3000	1.50	53.03	0.190	4.82	33.7
JL9225U48Y	48	24~52.8	0.35	0.3	16.8	4800	2.40	84.8	0.484	12.3	43.8
JL9225H48Y	48	24~52.8	0.23	0.2	11.04	4000	2.00	70.7	0.337	8.56	39.9
JL9225M48Y	48	24~52.8	0.12	0.1	5.76	3500	1.75	61.8	0.258	6.55	37.0
JL9225L48Y	48	24~52.8	0.08	0.07	3.84	3000	1.50	53.03	0.190	4.82	33.7

■ PS:Where Y can be S .B.

AC Axial Fan
AC轴流风机

AC All-Metal Axial Fan
AC全金属轴流风扇

DC Axial Fan
DC轴流风机

DC Centrifugal Fan
DC离心风机

EC Axial Fan
EC轴流风机

EC Centrifugal Fan
EC离心风机

AC Centrifugal Fan
AC离心风机

Fan Accessories
风机配件



JULONG MOTOR
AC/DC FANS COOLING FANS

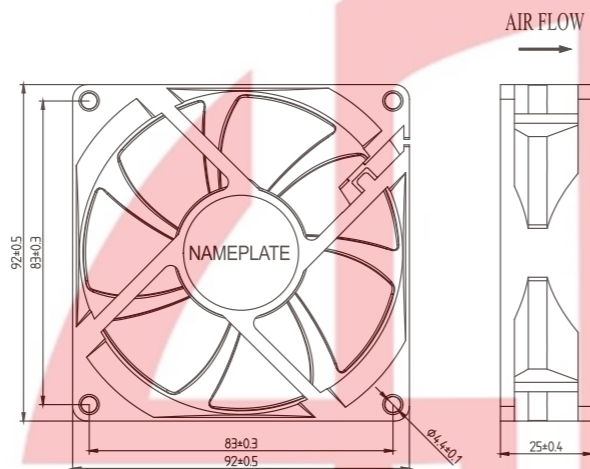


本样册仅供参考，具体以规格书为准。
This sample book is for reference only. Please refer to the specification for details.
如需特殊电压也可根据规格书提供。本公司保留技术更改权利。
Special voltage may be provided according to the specification. All technical modification rights reserved.

Http://www.xtgygs.cn



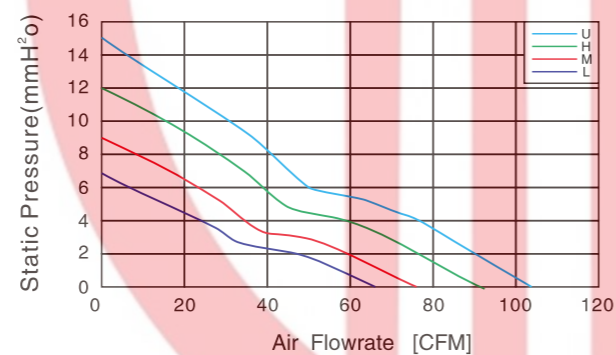
DIMENSIONS DRAWING



DC FAN
92*92*25MM SERIES

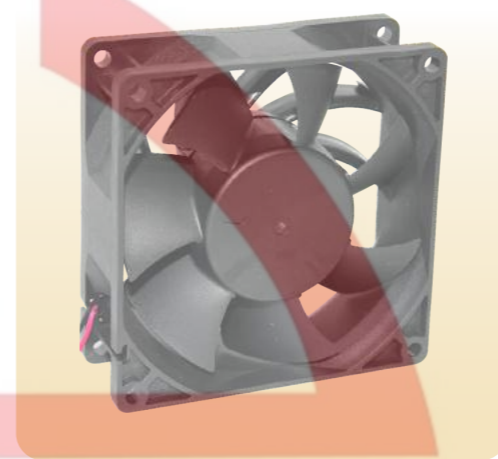
Material
UL 1007 AWG # 24 OR Equivalent
Red Wire:Positive (+)
Black Wire:Negative (-)
Yellow wire:FG or RD Signal

P & Q CURVE (AT RATED VOLTAGE)

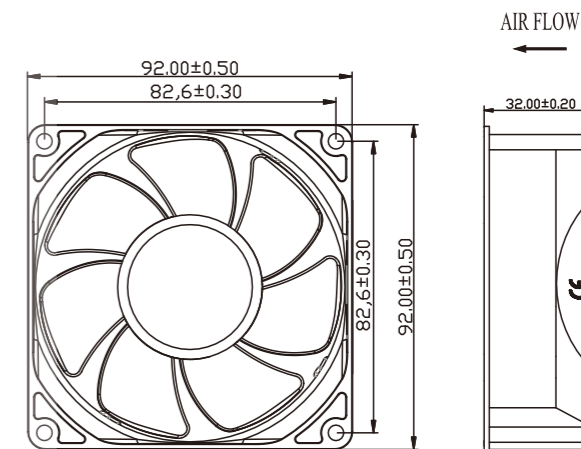


MODEL NO	RATED VOLTAGE V	OPERATING VOLTAGE V	RATED CURRENT A	ACTUAL CURRENT A	RATED POWER	RATED SPEED RPM (±10%)	MAX. AIR FLOW		MAX.STATIC AIR PRESSURE		NOISE LEVEL db(A)
							CMM	CFM	InH ₂ O	mmH ₂ O	
JL9225U12Y	12	6~13.2	0.9	0.82	10.8	5500	3.222	100.9	0.579	14.7	52.4
JL9225H12Y	12	6~13.2	0.7	0.65	8.4	5000	2.931	91.77	0.479	12.16	48.5
JL9225M12Y	12	6~13.2	0.4	0.35	4.8	4200	2.461	77.08	0.326	8.28	44.7
JL9225L12Y	12	6~13.2	0.28	0.25	3.36	3600	2.110	66.07	0.248	6.3	41.4
JL9225U24Y	24	12~26.4	0.6	0.58	14.4	6000	3.517	110.12	0.689	17.51	52.4
JL9225H24Y	24	12~26.4	0.35	0.34	8.4	5000	2.931	91.77	0.479	12.16	48.5
JL9225M24Y	24	12~26.4	0.2	0.18	4.8	4200	2.461	77.08	0.326	8.28	44.7
JL9225L24Y	24	12~26.4	0.14	0.13	3.36	3600	2.11	66.07	0.248	6.3	41.4

■ PS:Where Y can be S .B.



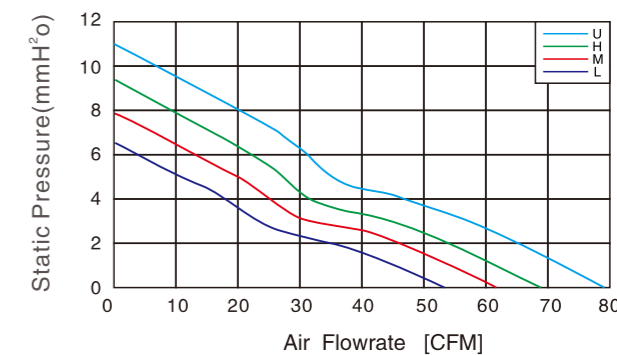
DIMENSIONS DRAWING



DC AXIAL FAN
92*92*32MM SERIES

Material
UL 1007 AWG # 24 OR Equivalent
Red Wire:Positive (+)
Black Wire:Negative (-)
Yellow wire:FG or RD Signal

P & Q CURVE (AT RATED VOLTAGE)



MODEL NO	RATED VOLTAGE V	OPERATING VOLTAGE V	RATED CURRENT A	ACTUAL CURRENT A	RATED POWER	RATED SPEED RPM (±10%)	MAX. AIR FLOW		MAX.STATIC AIR PRESSURE		NOISE LEVEL db(A)
							CMM	CFM	InH ₂ O	mmH ₂ O	
JL9232H12B	12	6~13.2	0.68	0.62	8.2	4000	1.93	68.2	0.378	9.60	43.6
JL9232M12Y	12	6~13.2	0.49	0.43	5.9	3500	1.72	60.8	0.311	7.90	40.5
JL9232L12Y	12	6~13.2	0.35	0.32	4.2	3000	1.51	53.4	0.240	6.10	37.5
JL9232U24B	24	12~26.4	0.48	0.45	11.5	4500	2.21	78.1	0.425	10.80	46.3
JL9232H24B	24	12~26.4	0.37	0.35	8.9	4000	1.93	68.2	0.378	9.60	43.6
JL9232M24Y	24	12~26.4	0.25	0.22	6.0	3500	1.72	60.8	0.311	7.90	40.5
JL9232L24Y	24	12~26.4	0.18	0.16	4.3	3000	1.51	53.4	0.240	6.10	37.5
JL9232U48B	48	24~52.8	0.23	0.21	11.0	4500	2.21	78.1	0.425	10.80	46.3
JL9232H48B	48	24~52.8	0.18	0.16	8.6	4000	1.93	68.2	0.378	9.60	43.6
JL9232M48Y	48	24~52.8	0.13	0.12	6.2	3500	1.72	60.8	0.311	7.90	40.5
JL9232L48Y	48	24~52.8	0.11	0.1	5.3	3000	1.51	53.4	0.240	6.10	37.5

■ PS:Where Y can be S .B.

AC Axial Fan
AC轴流风机

AC All-Metal Axial Fan
AC全金属轴流风扇

DC Axial Fan
DC轴流风机

DC Centrifugal Fan
DC离心风机

EC Axial Fan
EC轴流风机

EC Centrifugal Fan
EC离心风机

AC Centrifugal Fan
AC离心风机

Fan Accessories
风机配件



JULONG MOTOR
AC/DC FANS COOLING FANS

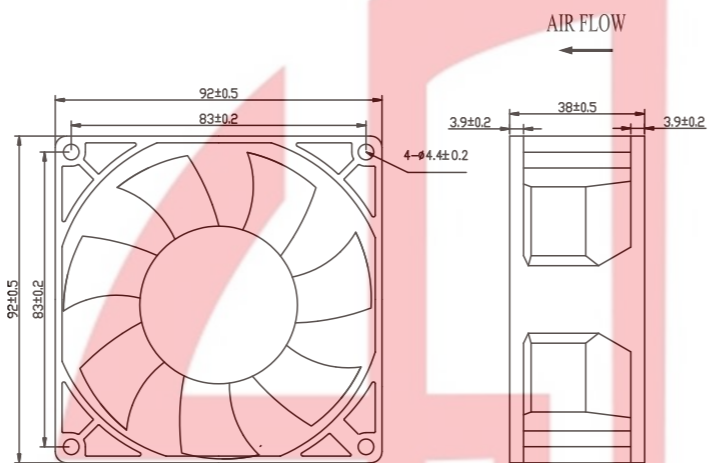


本样机仅供参考，具体以规格书为准。
This sample book is for reference only. Please refer to the specification for details.
如需特殊电压也可提供定制服务。本公司保留技术知识产权。
Special voltage may be provided according to the requirement. All technical modification rights reserved.

Http://www.xtgygs.cn



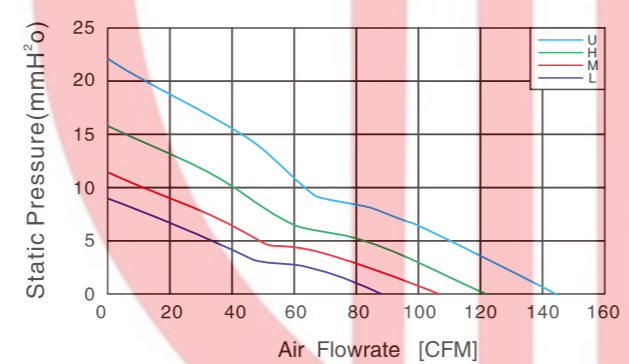
DIMENSIONS DRAWING



DC AXIAL FAN
92*92*38MM SERIES

Material
UL 1007 AWG # 24 OR Equivalent
Red Wire: Positive (+)
Black Wire: Negative (-)
Yellow wire: FG or RD Signal

P & Q CURVE (AT RATED VOLTAGE)

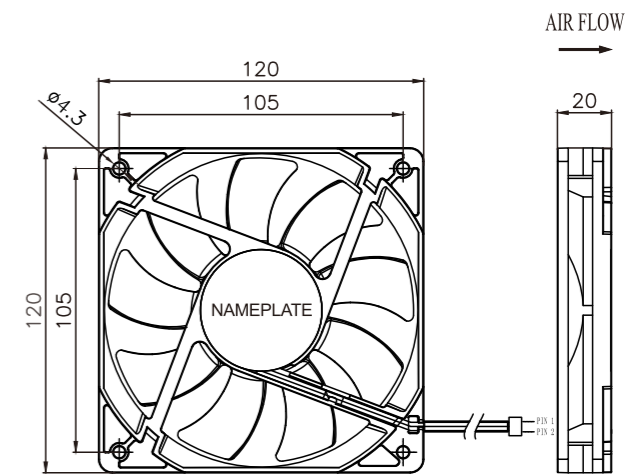


MODEL NO	RATED VOLTAGE V	OPERATING VOLTAGE V	RATED CURRENT A	ACTUAL CURRENT A	RATED POWER	RATED SPEED RPM (±10%)	MAX. AIR FLOW		MAX. STATIC AIR PRESSURE		NOISE LEVEL db(A)
							CMM	CFM	InH ₂ O	mmH ₂ O	
JL9238H12B	12	6~13.2	1.0	0.9	12.0	4800	3.38	119.20	0.606	15.40	53.9
JL9238M12Y	12	6~13.2	0.7	0.65	8.4	4200	2.95	104.30	0.465	11.80	51.1
JL9238L12Y	12	6~13.2	0.5	0.45	6.0	3600	2.53	89.37	0.341	8.66	47.7
JL9238U24B	24	12~26.4	0.9	0.88	21.6	5800	4.08	144.00	0.885	22.49	58.1
JL9238H24B	24	12~26.4	0.65	0.6	15.6	4800	3.38	119.20	0.606	15.40	53.9
JL9238M24Y	24	12~26.4	0.4	0.38	9.6	4200	2.95	104.30	0.465	11.80	51.1
JL9238L24Y	24	12~26.4	0.3	0.28	7.2	3600	2.53	89.37	0.341	8.66	47.7
JL9238U48B	48	24~52.8	0.55	0.5	26.4	5800	4.08	144.00	0.885	22.49	58.1
JL9238H48B	48	24~52.8	0.38	0.35	18.2	4800	3.38	119.2	0.606	15.40	53.9
JL9238M48Y	48	24~52.8	0.25	0.22	12.0	4200	2.95	104.3	0.465	11.80	51.1
JL9238L48Y	48	24~52.8	0.18	0.28	8.6	3600	2.53	89.37	0.341	8.66	47.7

PS: Where Y can be S . B.



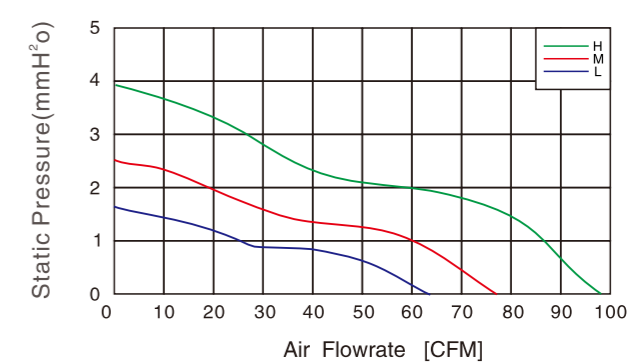
DIMENSIONS DRAWING



DC FAN
120*120*20MM SERIES

Material
UL 1007 AWG # 24 OR Equivalent
Red Wire: Positive (+)
Black Wire: Negative (-)
Yellow wire: FG or RD Signal

P & Q CURVE (AT RATED VOLTAGE)



MODEL NO	RATED VOLTAGE V	OPERATING VOLTAGE V	RATED CURRENT A	ACTUAL CURRENT A	RATED POWER	RATED SPEED RPM (±10%)	MAX. AIR FLOW		MAX. STATIC AIR PRESSURE		NOISE LEVEL db(A)
							CMM	CFM	InH ₂ O	mmH ₂ O	
JL12020H12Y	12	7~13.2	0.38	0.37	4.56	2800	2.70	95.20	0.150	3.8	39.2
JL12020M12Y	12	7~13.2	0.2	0.18	2.4	2200	2.12	74.80	0.093	2.35	33.9
JL12020L12Y	12	7~13.2	0.12	0.10	1.44	1800	1.73	61.20	0.062	1.57	29.6
JL12020H18Y	18	12~19.8	0.28	0.26	5.04	2800	2.70	95.20	0.150	3.8	39.2
JL12020M18Y	18	12~19.8	0.15	0.13	2.7	2200	2.12	74.80	0.093	2.35	33.9
JL12020L18Y	18	12~19.8	0.09	0.08	1.62	1800	1.73	61.20	0.062	1.57	29.6

PS: Where Y can be S . B.

AC Axial Fan
AC轴流风机

AC All-Metal Axial Fan
AC全金属轴流风扇

DC Axial Fan
DC轴流风机

DC Centrifugal Fan
DC离心风机

EC Axial Fan
EC轴流风机

EC Centrifugal Fan
EC离心风机

AC Centrifugal Fan
AC离心风机

Fan Accessories
风机配件



JULONG MOTOR
AC/DC FANS COOLING FANS

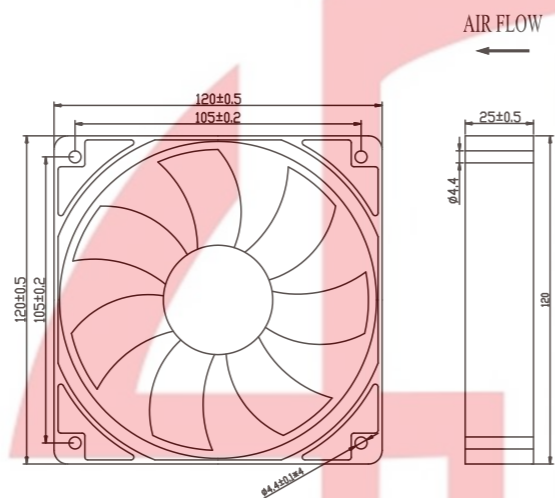


本样机仅供参考，具体以规格书为准。
This sample book is for reference only. Please refer to the specification for details.
如需特殊电压也可特别定制提供。本公司保留技术更改权利。
Special voltage may be provided, necessary according to the enquiry. All technical modification rights reserved.

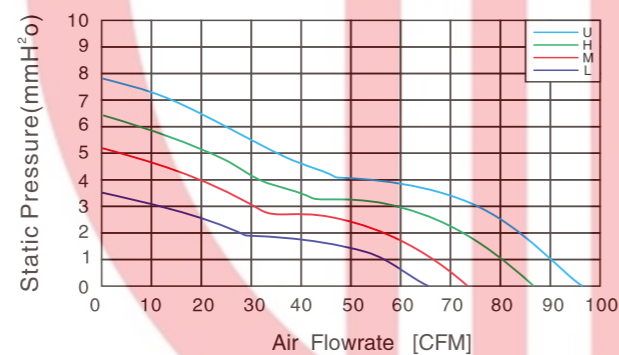
Http://www.xtgygs.cn



DIMENSIONS DRAWING



P & Q CURVE (AT RATED VOLTAGE)

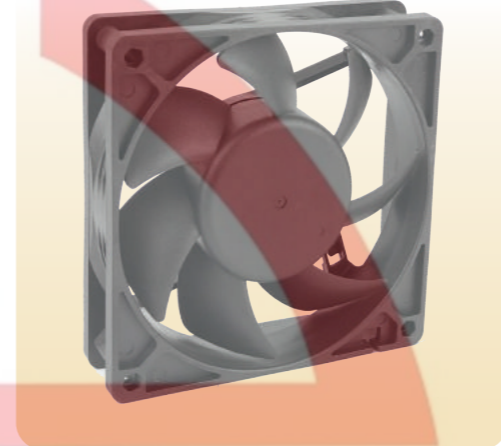


DC AXIAL FAN
120*120*25MM 2 SERIES

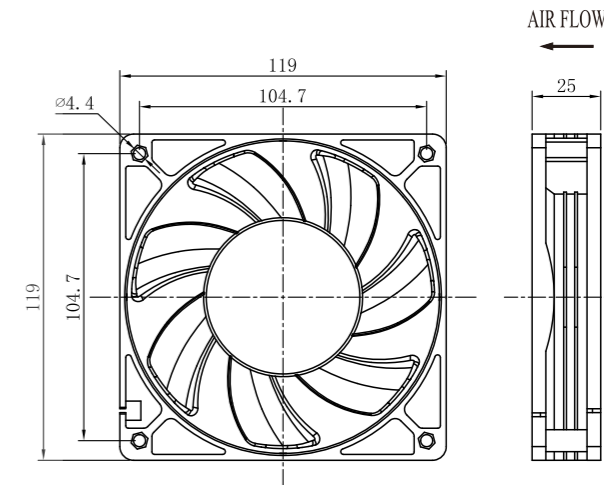
Material
UL 1007 AWG # 24 OR Equivalent
Red Wire:Positive (+)
Black Wire:Negative (-)
Yellow wire:FG or RD Signal

MODEL NO	RATED VOLTAGE V	OPERATING VOLTAGE V	RATED CURRENT A	ACTUAL CURRENT A	RATED POWER	RATED SPEED RPM (±10%)	MAX. AIR FLOW		MAX.STATIC AIR PRESSURE		NOISE LEVEL db(A)
							CMM	CFM	InH ₂ O	mmH ₂ O	
JL12025U12Y	12	7~13.2	0.6	0.68	9.6	2800	2.71	95.70	0.304	7.73	41.3
JL12025H12Y	12	7~13.2	0.6	0.45	7.2	2500	2.34	82.64	0.246	6.25	38.6
JL12025M12Y	12	7~13.2	0.45	0.39	5.4	2200	2.10	74.16	0.203	5.15	35.5
JL12025L12Y	12	7~13.2	0.25	0.22	3.0	1800	1.90	67.00	0.139	3.52	31.3
JL12025U24Y	24	14~26.4	0.4	0.36	9.60	2800	2.71	95.70	0.304	7.73	41.3
JL12025H24Y	24	14~26.4	0.28	0.24	6.72	2500	2.34	82.64	0.246	6.25	38.6
JL12025M24Y	24	14~26.4	0.22	0.2	5.28	2200	2.10	74.16	0.203	5.15	35.5
JL12025L24Y	24	14~26.4	0.14	0.12	3.36	1800	1.90	67.00	0.139	3.52	31.3

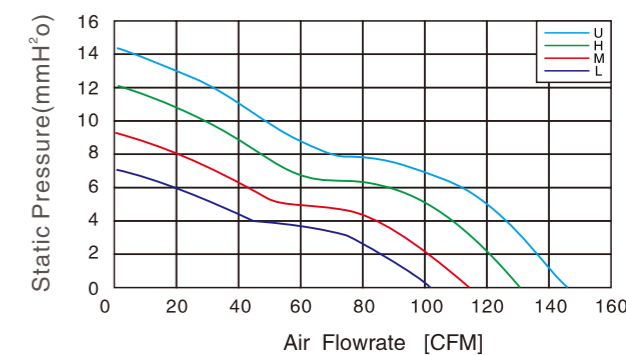
■ PS:Where Y can be S .B.



DIMENSIONS DRAWING



P & Q CURVE (AT RATED VOLTAGE)



DC FAN
120 * 120 * 25MM SERIES

Material
UL 1007 AWG # 24 OR Equivalent
Red Wire:Positive (+)
Black Wire:Negative (-)
Yellow wire:FG or RD Signal

MODEL NO	RATED VOLTAGE V	OPERATING VOLTAGE V	RATED CURRENT A	ACTUAL CURRENT A	RATED POWER	RATED SPEED RPM (±10%)	MAX. AIR FLOW		MAX.STATIC AIR PRESSURE		NOISE LEVEL db(A)
							CMM	CFM	InH ₂ O	mmH ₂ O	
JL12025H12Y	12	7~13.2	1.0	0.95	12	4000	3.62	128.0	0.465	11.8	50.2
JL12025M12Y	12	7~13.2	0.8	0.7	9.6	3500	3.12	110.3	0.355	9.01	47.0
JL12025L12Y	12	7~13.2	0.5	0.45	6.0	3100	2.80	99.00	0.299	7.6	43.7
JL12025U24Y	24	14~26.4	0.7	0.63	16.8	4500	4.04	142.7	0.559	14.2	53.0
JL12025H24Y	24	14~26.4	0.5	0.45	12.00	4000	3.62	128.0	0.465	11.8	50.2
JL12025M24Y	24	14~26.4	0.3	0.27	7.20	3500	3.12	110.3	0.355	9.01	47.0
JL12025L24Y	24	14~26.4	0.2	0.18	4.80	3100	2.80	99.00	0.299	7.6	43.7
JL12025U24Y	24	14~26.4	0.4	0.36	9.60	4500	4.04	142.7	0.559	14.2	53.0
JL12025H24Y	24	14~26.4	0.28	0.26	6.72	4000	3.62	128.0	0.465	11.8	50.2
JL12025M24Y	24	14~26.4	0.22	0.2	5.28	3500	3.12	110.3	0.355	9.01	47.0
JL12025L24Y	24	14~26.4	0.15	0.13	3.36	3100	2.80	99.00	0.299	7.6	43.7

■ PS:Where Y can be S .B.

AC Axial Fan
AC轴流风机

AC All-Metal Axial Fan
AC全金属轴流风扇

DC Axial Fan
DC轴流风机

DC Centrifugal Fan
DC离心风机

EC Axial Fan
EC轴流风机

EC Centrifugal Fan
EC离心风机

AC Centrifugal Fan
AC离心风机

Fan Accessories
风机配件



JULONG MOTOR
AC/DC FANS COOLING FANS

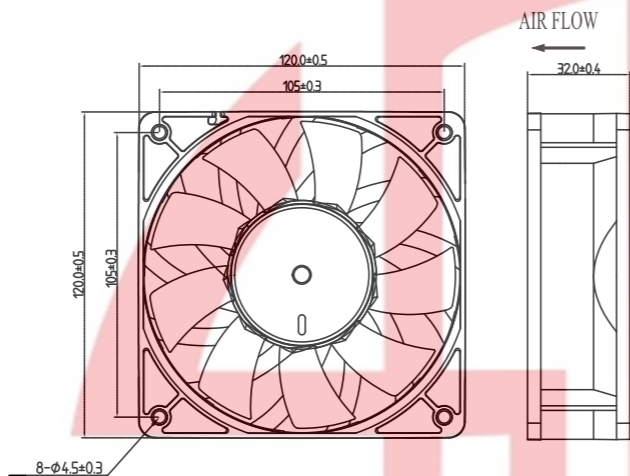


本样品的制造型号及规格仅供参考，如有特殊电压也可根据需求提供。本公司保留技术更改权利。
This sample book is for reference only. Please refer to the specification for details. special voltage may be provided according to the enquiry. All technical modification rights reserved.

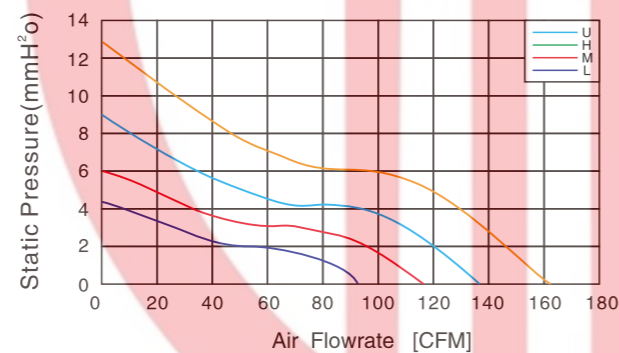
Http://www.xtgygs.cn



DIMENSIONS DRAWING



P & Q CURVE (AT RATED VOLTAGE)

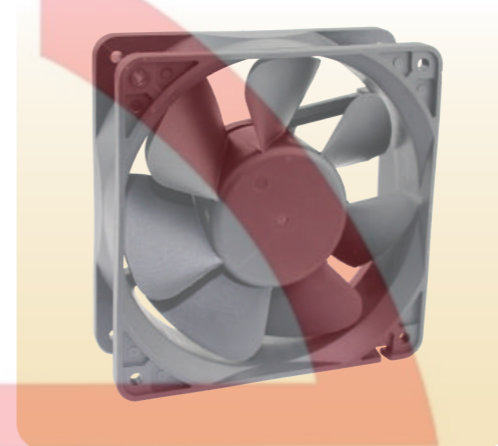


DC FAN
120*120*32MM SERIES

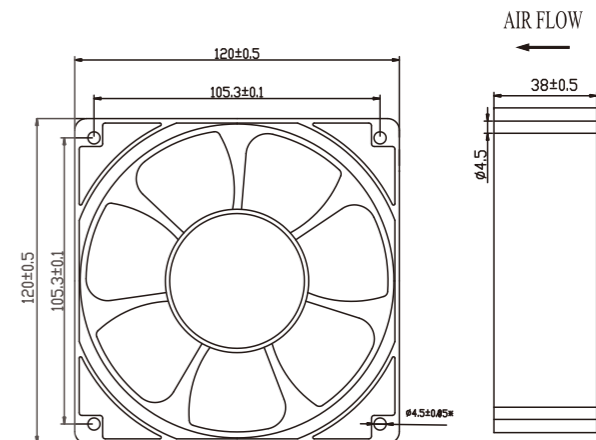
Material
UL 1007 AWG # 24 OR Equivalent
Red Wire:Positive (+)
Black Wire:Negative (-)
Yellow wire:FG or RD Signal

MODEL NO	RATED VOLTAGE V	OPERATING VOLTAGE V	RATED CURRENT A	ACTUAL CURRENT A	RATED POWER	RATED SPEED RPM (±10%)	MAX. AIR FLOW		MAX.STATIC AIR PRESSURE		NOISE LEVEL db(A)
							CMM	CFM	InH ₂ O	mmH ₂ O	
JL12032H12Y	12	6~13.2	2.60	2.4	31.2	3800	5.24	184.9	0.591	15.01	50.3
JL12032M12Y	12	6~13.2	1.30	1.2	15.60	3200	4.41	155.7	0.419	10.64	46.6
JL12032L12Y	12	6~13.2	0.90	0.8	10.80	2700	3.72	131.4	0.298	7.58	42.9
JL12032H24Y	24	12~26.4	1.30	1.2	31.20	3800	5.24	184.9	0.591	15.01	50.3
JL12032M24Y	24	12~26.4	0.65	0.6	15.60	3200	4.41	155.7	0.419	10.64	46.6
JL12032L24Y	24	12~26.4	0.45	0.4	10.80	2700	3.72	131.4	0.298	7.58	42.9
JL12032H48Y	48	24~52.8	0.65	0.58	31.20	3800	5.24	184.9	0.591	15.01	50.3
JL12032M48Y	48	24~52.8	0.35	0.29	16.80	3200	4.41	155.7	0.419	10.64	46.6
JL12032L48Y	48	24~52.8	0.22	0.2	10.56	2700	3.72	131.4	0.298	7.58	42.9

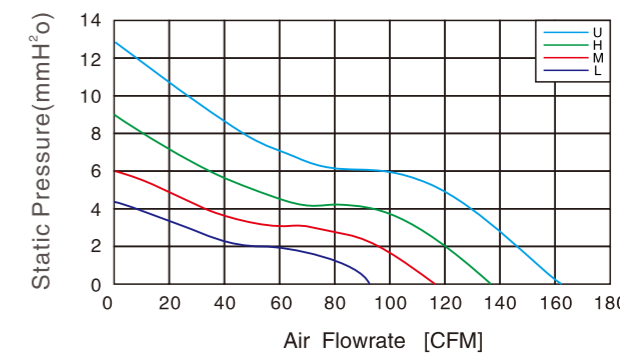
PS:Where Y can be S .B.



DIMENSIONS DRAWING



P & Q CURVE (AT RATED VOLTAGE)



DC AXIAL FAN
120*120*38MM 1 SERIES

Material
UL 1007 AWG # 24 OR Equivalent
Red Wire:Positive (+)
Black Wire:Negative (-)
Yellow wire:FG or RD Signal

MODEL NO	RATED VOLTAGE V	OPERATING VOLTAGE V	RATED CURRENT A	ACTUAL CURRENT A	RATED POWER	RATED SPEED RPM (±10%)	MAX. AIR FLOW		MAX.STATIC AIR PRESSURE		NOISE LEVEL db(A)
							CMM	CFM	InH ₂ O	mmH ₂ O	
JL12038H12Y	12	6~13.2	1.1	1.0	13.2	4000	4.51	159.2	0.484	12.3	50.1
JL12038M12Y	12	6~13.2	0.8	0.72	9.6	3400	3.83	135.3	0.350	8.9	46.6
JL12038L12Y	12	6~13.2	0.4	0.36	4.8	2800	3.15	111.4	0.238	6.04	42.4
JL12038U24B	24	12~26.4	1.6	1.4	19.2	5400	6.09	214.9	0.882	22.4	56.6
JL12038H24Y	24	12~26.4	0.65	0.59	15.6	4000	4.51	159.2	0.484	12.3	50.1
JL12038M24Y	24	12~26.4	0.35	0.32	8.4	3400	3.83	135.3	0.350	8.9	46.6
JL12038L24Y	24	12~26.4	0.2	0.18	4.8	2800	3.15	111.4	0.238	6.04	42.4
JL12038U48B	48	24~52.8	0.8	0.75	19.2	5400	6.09	214.9	0.882	22.4	56.6
JL12038H48Y	48	24~52.8	0.3	0.27	14.4	4000	4.51	159.2	0.484	12.3	50.1
JL12038M48Y	48	24~52.8	0.25	0.2	12.0	3400	3.83	135.3	0.350	8.9	46.6
JL12038L48Y	48	24~52.8	0.15	0.12	7.2	2800	3.15	111.4	0.238	6.04	42.4

PS:Where Y can be S .B.



JULONG MOTOR
AC/DC FANS COOLING FANS



UL
E248719

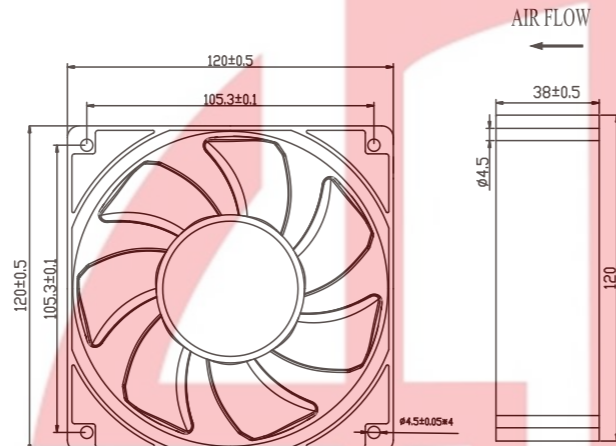


本样册仅供参考，具体规格以实物为准。
This sample book is for reference only. Please refer to the specification for details.
如需特殊电压也可根据需求提供。本公司保留技术更改权利。
Special voltage may be provided flexibly according to the requirement. All technical modification rights reserved.

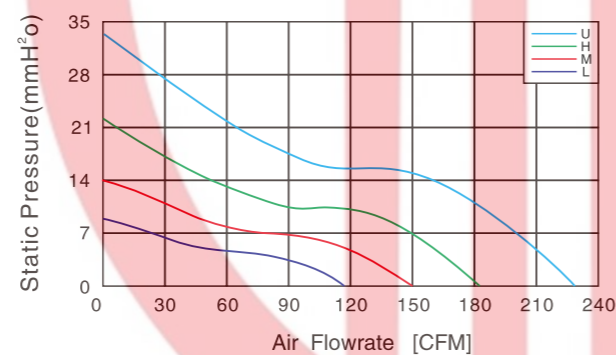
Http://www.xtgygs.cn



DIMENSIONS DRAWING



P & Q CURVE (AT RATED VOLTAGE)

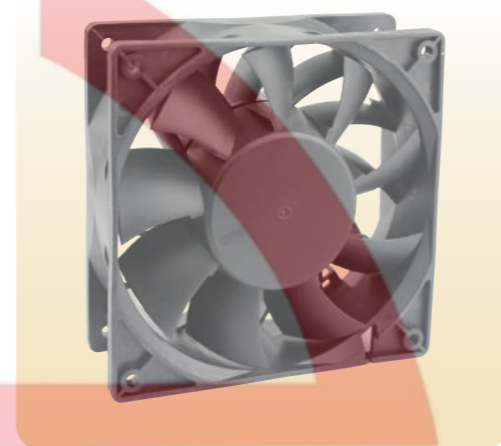


DC FAN 120*120*38MM SERIES

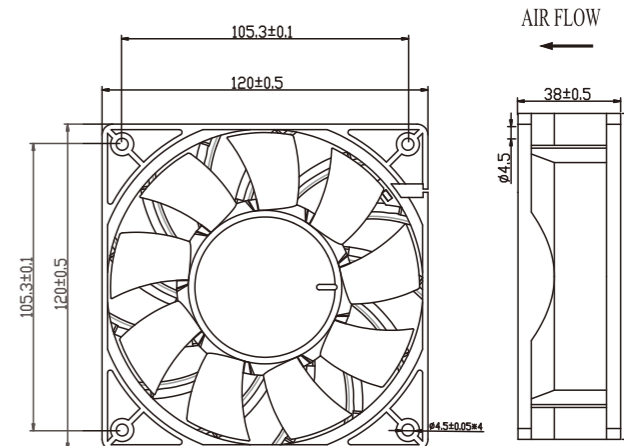
Material
UL 1007 AWG # 24 OR Equivalent
Red Wire:Positive (+)
Black Wire:Negative (-)
Yellow wire:FG or RD Signal

MODEL NO	RATED VOLTAGE V	OPERATING VOLTAGE V	RATED CURRENT A	ACTUAL CURRENT A	RATED POWER	RATED SPEED RPM (±10%)	MAX. AIR FLOW		MAX.STATIC AIR PRESSURE		NOISE LEVEL db(A)
							CMM	CFM	InH2O	mmH2O	
JL12038M12Y	12	6~13.2	1.00	0.4	12.00	3600	4.21	148.64	0.539	13.68	49
JL12038L12Y	12	6~13.2	0.65	0.31	7.80	3100	3.63	128.1	0.399	10.14	46
JL12038U24B	24	12~26.4	2.2	2.0	52.80	5500	6.43	227.1	1.257	31.92	58.2
JL12038H24B	24	12~26.4	1.30	1.2	31.20	4500	5.26	185.8	0.841	21.37	53.8
JL12038M24Y	24	12~26.4	0.5	0.46	12.00	3600	4.21	148.64	0.539	13.68	49
JL12038L24Y	24	12~26.4	0.34	0.31	8.16	3100	3.63	128.1	0.399	10.14	46
JL12038U48B	48	24~52.8	1.2	1.1	57.60	5500	6.43	227.1	1.257	31.92	58.2
JL12038H48B	48	24~52.8	0.6	0.24	28.80	4500	5.26	185.8	0.841	21.37	53.8
JL12038M48Y	48	24~52.8	0.28	0.18	13.44	3600	4.21	148.64	0.539	13.68	49
JL12038L48Y	48	24~52.8	0.18	0.08	8.64	3100	3.63	128.1	0.399	10.14	46

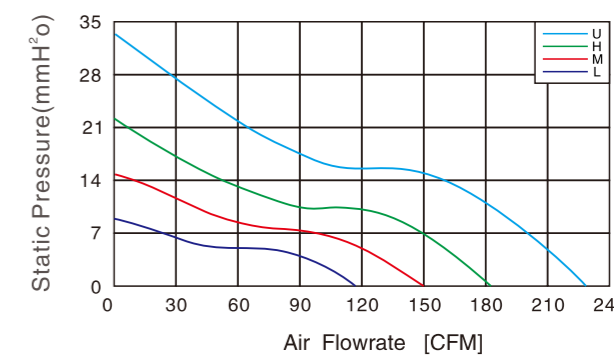
■ PS:Where Y can be S .B.



DIMENSIONS DRAWING



P & Q CURVE (AT RATED VOLTAGE)



DC FAN 120*120*38MM SERIES

Material
UL 1007 AWG # 24 OR Equivalent
Red Wire:Positive (+)
Black Wire:Negative (-)
Yellow wire:FG Signal

MODEL NO	RATED VOLTAGE V	OPERATING VOLTAGE V	RATED CURRENT A	ACTUAL CURRENT A	RATED POWER	RATED SPEED RPM (±10%)	MAX. AIR FLOW		MAX.STATIC AIR PRESSURE		NOISE LEVEL db(A)
							CMM	CFM	InH2O	mmH2O	
JL12038M12B	12	6~13.2	3.0	2.9	36	4500	6.51	230.1	0.817	20.76	51.3
JL12038M12B	12	6~13.2	2.2	2.0	26.4	4100	5.94	209.6	0.607	15.43	49.3
JL12038L12B	12	6~13.2	1.8	1.5	21.6	3600	5.21	184.0	0.478	12.15	46.7
JL12038U24B	24	12~26.4	1.8	1.7	43.2	4800	6.95	245.4	0.831	21.10	52.7
JL12038H24B	24	12~26.4	1.3	1.5	31.2	4500	6.51	230.1	0.817	20.76	51.3
JL12038M24B	24	12~26.4	1.0	1.1	24	4100	5.94	209.6	0.607	15.43	49.3
JL12038L24B	24	12~26.4	0.9	0.8	21.6	3600	5.21	184.0	0.478	12.15	46.7
JL12038U48B	48	24~52.8	1.0	0.9	48	4800	6.95	245.4	0.831	21.10	52.7
JL12038H48B	48	24~52.8	0.9	0.8	43.2	4500	6.51	230.1	0.817	20.76	51.3
JL12038M48B	48	24~52.8	0.7	0.6	33.6	4100	5.94	209.6	0.607	15.43	49.3
JL12038L48B	48	24~52.8	0.6	0.5	28.8	3600	5.21	184.0	0.478	12.15	46.7



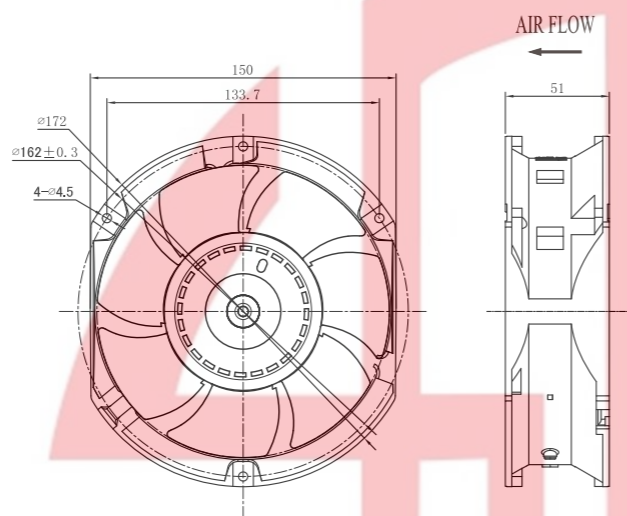
JULONG MOTOR
AC/DC FANS COOLING FANS



UL 1007
AWG #20
300mm



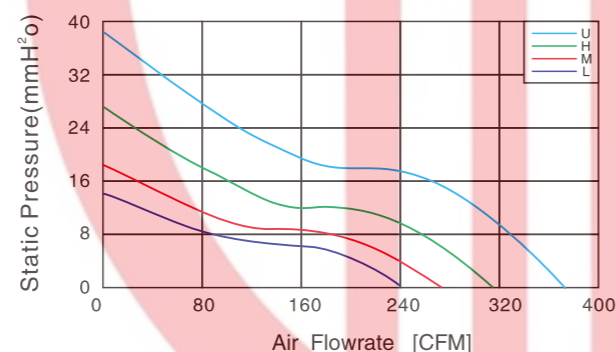
DIMENSIONS DRAWING



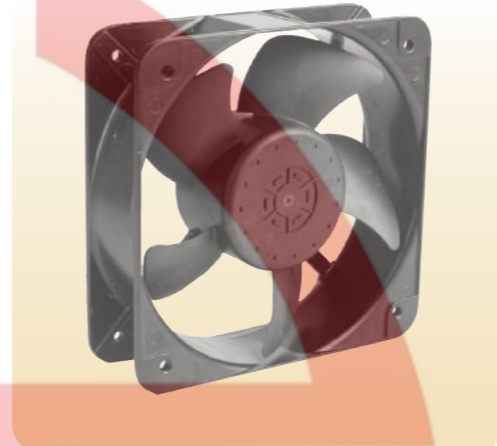
DC FAN 172*150*51MM SERIES

Material
UL 1007 AWG # 22 OR Equivalent
Red Wire:Positive (+)
Black Wire:Negative (-)
Yellow wire:FG or RD Signal

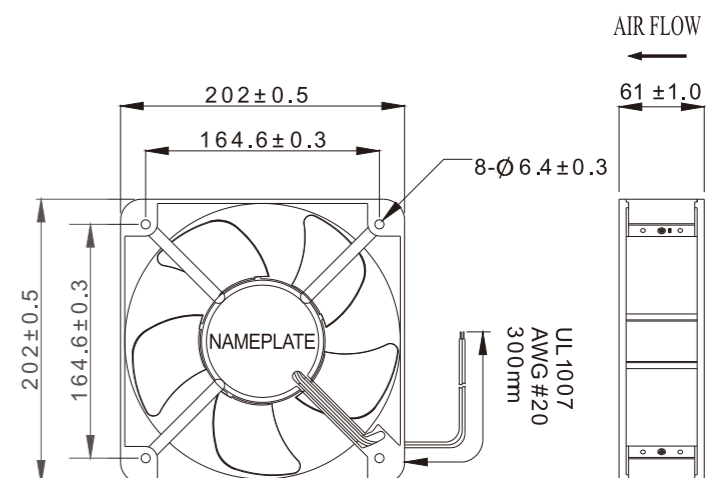
P & Q CURVE (AT RATED VOLTAGE)



MODEL NO	RATED VOLTAGE V	OPERATING VOLTAGE V	RATED CURRENT A	ACTUAL CURRENT A	RATED POWER	RATED SPEED RPM (±10%)	MAX. AIR FLOW		MAX.STATIC AIR PRESSURE		NOISE LEVEL db(A)
							CMM	CFM	InH2O	mmH2O	
JL17251L12B	12	8~13.2	1.40	1.35	16.80	3100	6.83	241.35	0.643	16.33	55.4
JL17251S12B	12	8~13.2	0.65	0.31	7.80	2600	5.73	202.42	0.452	11.49	51.5
JL17251U24B	24	18~26.4	2.60	2.5	62.40	4800	10.58	373.68	1.541	39.15	64.9
JL17251H24B	24	18~26.4	1.50	1.45	36.00	4000	8.82	311.40	1.068	27.12	60.9
JL17251M24B	24	18~26.4	1.00	0.95	24.00	3500	7.72	272.49	0.819	20.80	58.0
JL17251L24B	24	18~26.4	0.70	0.63	16.80	3100	6.83	241.35	0.643	16.33	55.4
JL17251U48B	48	36~52.8	1.40	1.1	67.20	4800	10.58	373.68	1.541	39.15	64.9
JL17251H48B	48	36~52.8	0.90	0.82	43.20	4000	8.82	311.40	1.068	27.12	60.9
JL17251M48B	48	36~52.8	0.60	0.55	28.80	3500	7.72	272.49	0.819	20.80	58.0
JL17251L48B	48	36~52.8	0.40	0.35	19.20	3100	6.83	241.35	0.643	16.33	55.4



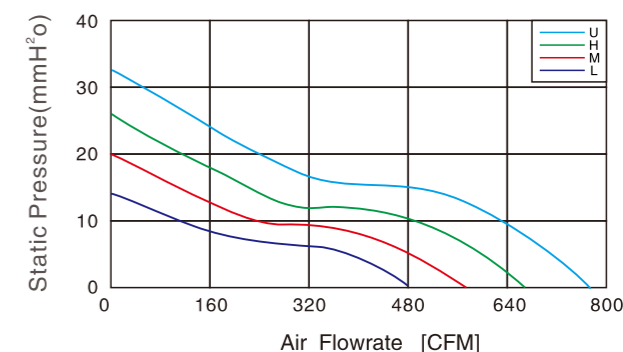
DIMENSIONS DRAWING



DC BLOWER 200*200*60MM SERIES

Material
UL 1007 AWG # 24 OR Equivalent
Red Wire:Positive (+)
Black Wire:Negative (-)
Yellow wire:FG Signal or RD Signal

P & Q CURVE (AT RATED VOLTAGE)



MODEL NO	RATED VOLTAGE V	OPERATING VOLTAGE V	RATED CURRENT A	ACTUAL CURRENT A	RATED POWER	RATED SPEED RPM (±10%)	MAX. AIR FLOW		MAX.STATIC AIR PRESSURE		NOISE LEVEL db(A)
							CMM	CFM	InH2O	mmH2O	
JL20060H24B	24	18~26.4	2.40	1.6	57.60	2800	18.55	655.0	1.00	25.40	67
JL20060M24B	24	18~26.4	1.80	1.3	43.20	2500	16.56	584.8	0.80	20.20	64.5
JL20060L24B	24	18~26.4	1.40	1.00	33.60	2200	14.57	514.6	0.62	15.70	61.7
JL20060U48B	48	36~52.8	1.50	1.1	72.00	3200	21.20	748.6	1.24	31.60	69.9
JL20060H48B	48	36~52.8	1.20	0.8	57.60	2800	18.55	655.0	1.00	25.40	67.00
JL20060M48B	48	36~52.8	0.90	0.65	43.20	2500	16.56	584.8	0.80	20.20	64.50
JL20060L48B	48	36~52.8	0.70	0.55	33.60	2200	14.57	514.6	0.62	15.70	61.70

AC Axial Fan
AC轴流风机

AC All-Metal Axial Fan
AC全金属轴流风扇

DC Axial Fan
DC轴流风机

DC Centrifugal Fan
DC离心风机

EC Axial Fan
EC轴流风机

EC Centrifugal Fan
EC离心风机

AC Centrifugal Fan
AC离心风机

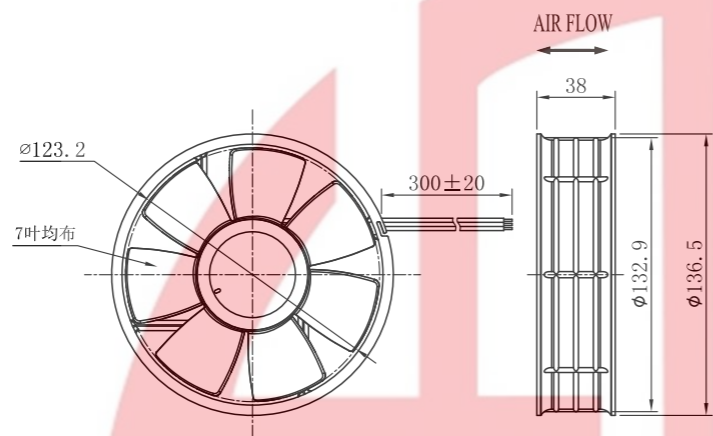
Fan Accessories
风机配件



JULONG MOTOR
AC/DC FANS COOLING FANS



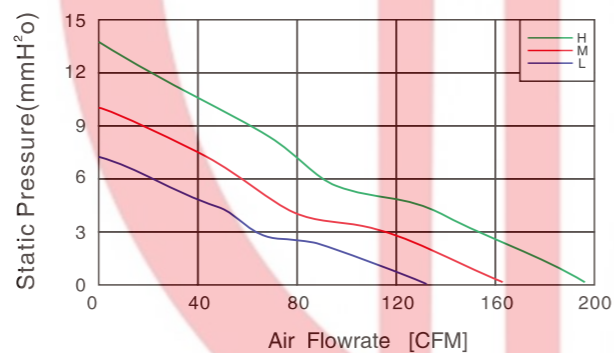
DIMENSIONS DRAWING



DC FAN 136*38MM SERIES

Material
UL 1007 AWG # 24 OR Equivalent
Red Wire: Positive (+)
Black Wire: Negative (-)
Yellow wire: FG Signal or RD Signal

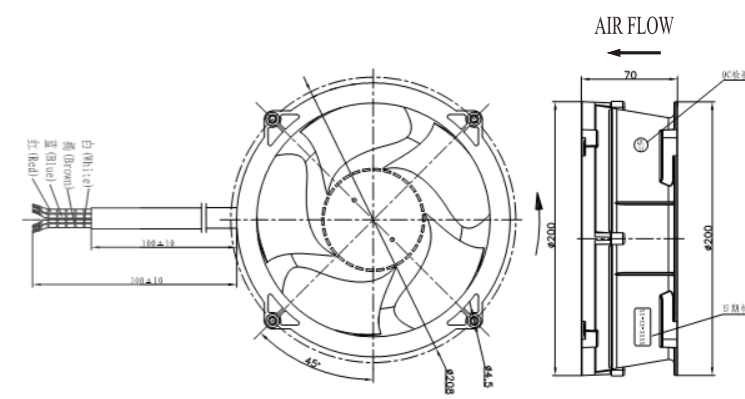
P & Q CURVE (AT RATED VOLTAGE)



MODEL NO	RATED VOLTAGE V	OPERATING VOLTAGE V	RATED CURRENT A	ACTUAL CURRENT A	RATED POWER	RATED SPEED RPM (±10%)	MAX. AIR FLOW		MAX. STATIC AIR PRESSURE		NOISE LEVEL db(A)
							CMM	CFM	InH ₂ O	mmH ₂ O	
JL13638H12B	12	6~13.2	1.4	1.2	16.8	3500	5.502	194.3	0.538	13.67	61.4
JL12638M12B	12	6~13.2	0.90	0.75	10.8	3000	4.715	166.5	0.398	10.10	58.1
JL13638L12B	12	6~13.2	0.6	0.45	7.2	2500	3.928	138.7	0.274	6.97	54.1
JL13638H24B	24	12~26.4	1.4	1.2	33.6	3500	5.502	194.3	0.538	13.67	61.4
JL12638M24B	24	12~26.4	0.90	0.75	21.6	3000	4.715	166.5	0.398	10.10	58.1
JL13638L24B	24	12~26.4	0.6	0.45	14.4	2500	3.928	138.7	0.274	6.97	54.1



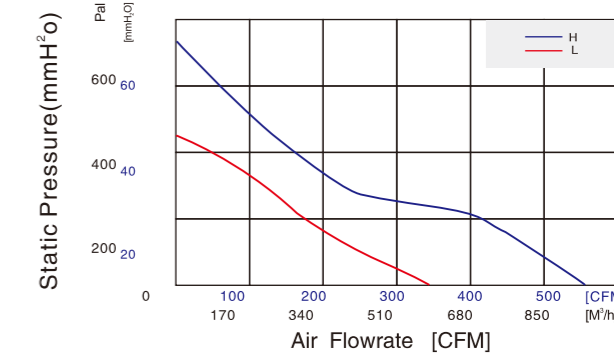
DIMENSIONS DRAWING



DC BLOWER 200*200*70MM SERIES

尺寸 Size: Φ200mmx70mm
风量 Airflow: 335~550CFM
重量 Weight: 1760g
噪音 Noise: 58~85dB(A)
风叶 Impeller Material: PA66
马达 Motor: DC brushless external rotor Motor
引线 Lead Wire: AWG#20 UL 1007
温度范围 Operating Temperature: -25°C~+65°C
防护等级 Type of protection: IP42
绝缘等级 Insulation class: "B"

P & Q CURVE (AT RATED VOLTAGE)



产品型号 Model	轴承型式 Bearing System	电压 Voltage	电压范围 Voltage Range	电流 Current	转速 Speed	风量 Air Flow	静压 Static Pressure	噪音 Noise	可用功能选择 Available Features (Optional)		
Part NO.	B / S / F	VDC	VDC	A	RPM	CFM	mmH ₂ O	dB(A)	Tachometer Out put 转速输出	Autorestart 自动重启	Pulse Width Modulation 脉宽调节
JL4820070HB2M	Ball	48	36/56	2.3	4600	550	72.4	85	●	●	●
JL4820070LB2M		48	36/56	0.75	2900	335	21.9	58	●	●	●
JL2420070HB2M		24	16/28	4.5	4600	550	72.4	85	●	●	●

九龙电机



JULONG MOTOR
AC/DC FANS COOLING FANS

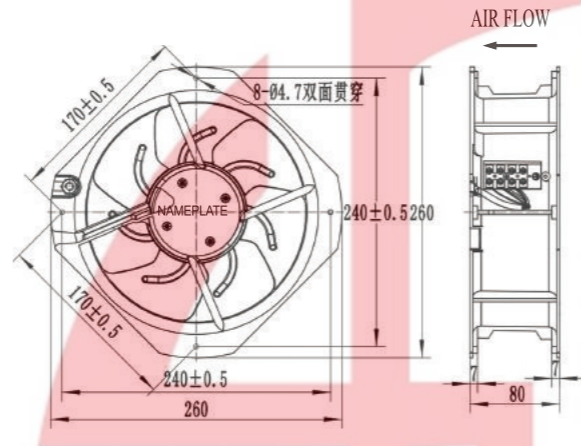


本样机仅供参考，具体以规格书为准。
This sample book is for reference only. Please refer to the specification for details.
如需特殊电压也可根据规格书提供。本公司保留技术知识产权。
Special voltage may be provided according to the specification. All technical modification rights reserved.

Http://www.xtgygs.cn



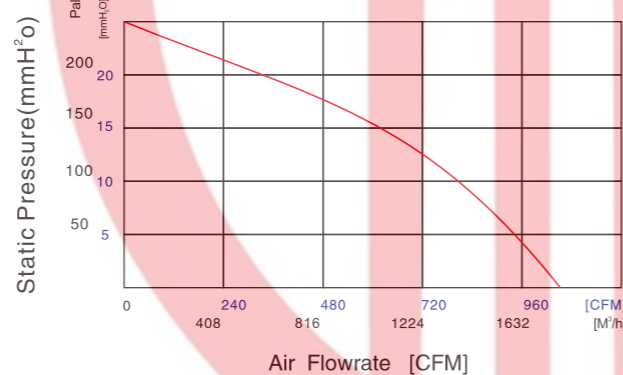
DIMENSIONS DRAWING



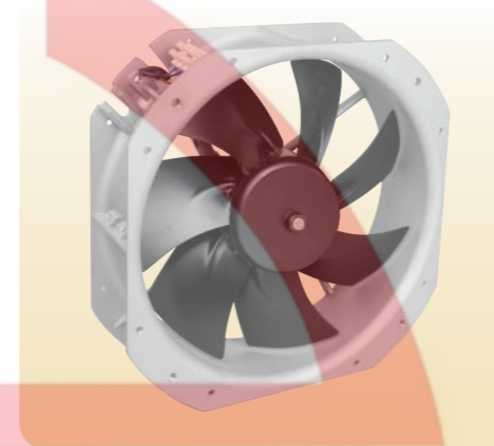
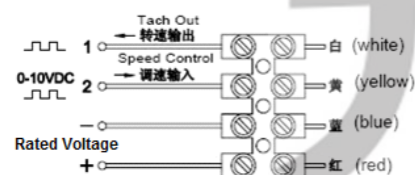
DC BLOWER 225*225*80MM SERIES

尺寸 Size: 225mmx225mmx80mm
风量 Airflow: 581CFM
重量 Weight: 2200g
噪音 Noise: 62dB(A)
风叶 Impeller Material: Metal
马达 Motor: DC brushless external rotor Motor
引线 Lead Wire: AWG#20 UL 1007
温度范围 Operating Temperature: -25°C~+65°C
防护等级 Type of protection: IP42
绝缘等级 Insulation class: "B"

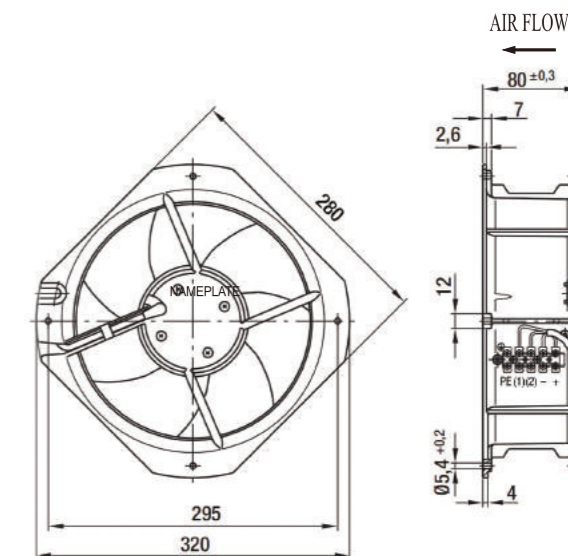
P & Q CURVE (AT RATED VOLTAGE)



产品型号 Model	轴承型式 Bearing System	电压 Voltage	电压范围 Voltage Range	电流 Current	转速 Speed	风量 Air Flow	静压 Static Pressure	噪音 Noise	可用功能选择 Available Features (Optional)		
Part NO.	B / S / F	VDC	VDC	A	RPM	CFM	mmH2O	dB(A)	Tachometer Out put 转速输出	Autorestart 自动重启	Pulse Width Modulation 脉宽调节
JL2422580HB2M	Ball	24	16/28	2.4	2800	581	25.25	62	●	●	●
JL4822580HB2M		48	36/57	1.2	2800	581	25.25	62	●	●	●



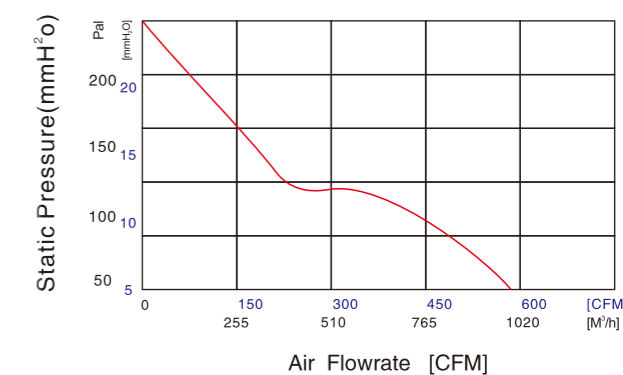
DIMENSIONS DRAWING



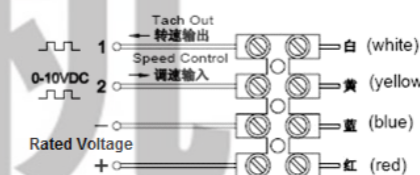
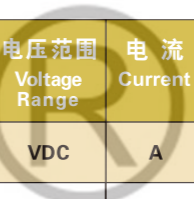
DC BLOWER 280*280*80MM SERIES

尺寸 Size: 280mmx280mmx80mm
风量 Airflow: 1094CFM
重量 Weight: 2500g
噪音 Noise: 70dB(A)
风叶 Impeller Material: Metal
马达 Motor: DC brushless external rotor Motor
引线 Lead Wire: AWG#20 UL 1007
温度范围 Operating Temperature: -25°C~+65°C
防护等级 Type of protection: IP42
绝缘等级 Insulation class: "B"

P & Q CURVE (AT RATED VOLTAGE)



产品型号 Model	轴承型式 Bearing System	电压 Voltage	电压范围 Voltage Range	电流 Current	转速 Speed	风量 Air Flow	静压 Static Pressure	噪音 Noise	可用功能选择 Available Features (Optional)		
Part NO.	B / S / F	VDC	VDC	A	RPM	CFM	mmH2O	dB(A)	Tachometer Out put 转速输出	Autorestart 自动重启	Pulse Width Modulation 脉宽调节
JL4828080HB2M	Ball	48	36/56	2.4	2600	1094.2	24.96	68	●	●	●
JL2428080HB2M		24	16/28	4.8	2600	1094.2	24.96	68	●	●	●



九 龙 电 机

AC Axial Fan
AC轴流风机

AC All-Metal Axial Fan
AC全金属轴流风扇

DC Axial Fan
DC轴流风机

DC Centrifugal Fan
DC离心风机

EC Axial Fan
EC轴流风机

EC Centrifugal Fan
EC离心风机

AC Centrifugal Fan
AC离心风机

Fan Accessories
风机配件

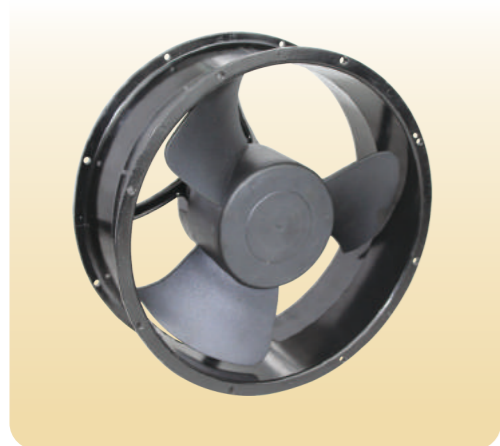


JULONG MOTOR
AC/DC FANS COOLING FANS

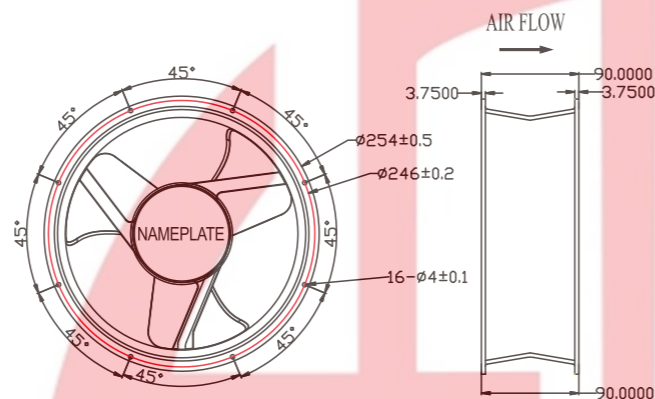


本样图仅供参考，具体以实物为准。
This sample book is for reference only. Please refer to the specification for details.
如需特殊电压也可根据需求提供。本公司保留技术更改权利。
Special voltage may be provided flexibly according to the requirement. All technical modification rights reserved.

Http://www.xtgygs.cn



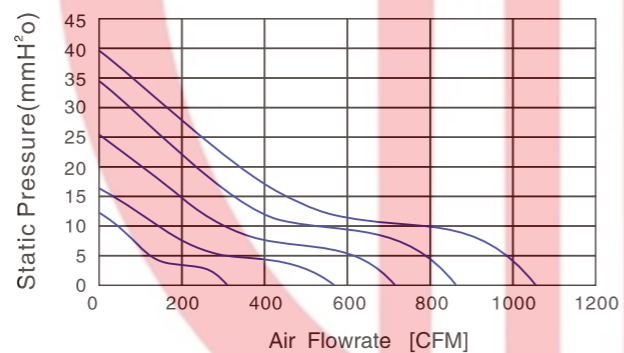
DIMENSIONS DRAWING



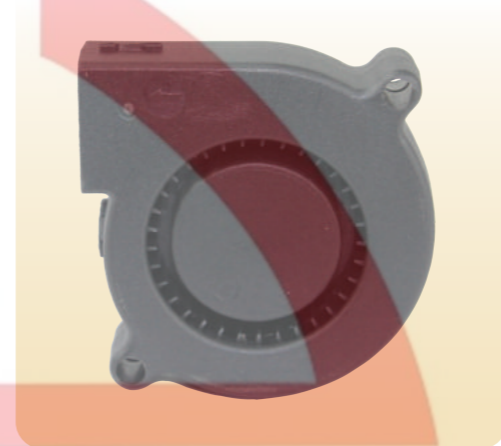
DC AXIAL FAN Ø254*89MM SERIES

Material
Impeller & Frame: plastic(UL94V-0)
Red Wire Positive(+)
Black Wire Negative(-)
Weight: 2600g

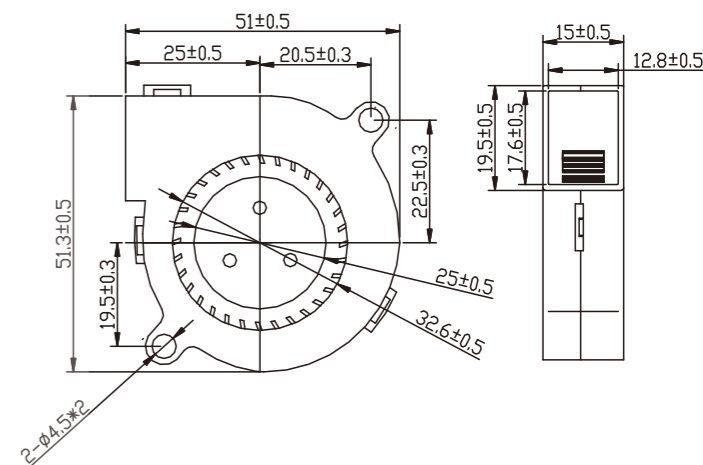
P & Q CURVE (AT RATED VOLTAGE)



MODEL NO	RATED VOLTAGE V	OPERATING VOLTAGE V	RATED CURRENT A	ACTUAL CURRENT A	RATED POWER	RATED SPEED RPM (±10%)	MAX. AIR FLOW		MAX. STATIC AIR PRESSURE		NOISE LEVEL db(A)
							CMM	CFM	InH ₂ O	mmH ₂ O	
JL25489L12	12	6~13.5	0.75	0.73	9	1000	8.7	194.3	0.538	12.5	51.2
JL25489L24	24	18~26.5	0.5	0.48	12	1000	8.7	166.5	0.398	12.5	51.2
JL25489L48	48	36~56	0.2	0.18	9.6	1000	8.7	138.7	0.274	12.5	51.2
JL25489M12	12	6~13.5	3.5	3.48	42	2000	16	194.3	0.538	16.4	63.8
JL25489M24	24	18~26.5	1.5	1.48	36	2000	16	166.5	0.398	16.4	63.8
JL25489M48	48	36~56	0.8	0.78	38.4	2000	16	138.7	0.274	16.4	63.8
JL25489H24	24	18~26.5	2.9	2.88	69.6	2500	20.3	194.3	0.538	25.5	68.2
JL25489H48	48	36~56	1.8	1.78	86.4	2500	20.3	166.5	0.398	25.5	68.2
JL25489H24-HH	24	18~26.5	4.8	4.78	115.2	3000	24.5	138.7	0.274	34.4	73.5
JL25489H48-HH	48	36~56	2.6	2.58	124.8	3000	24.5	194.3	0.538	34.4	73.5
JL25489H48-VH	48	36~56	3.5	3.48	168	3500	30	166.5	0.398	39.5	78.9



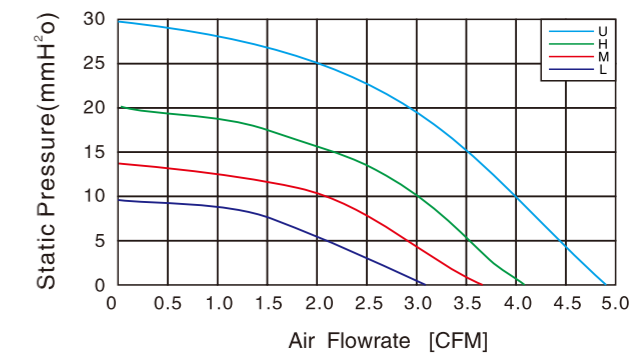
DIMENSIONS DRAWING



DC BLOWER 50*50*15MM SERIES

Material
UL 1007 AWG # 24 OR Equivalent
Red Wire: Positive (+)
Black Wire: Negative (-)
Yellow wire: FG or RD Signal

P & Q CURVE (AT RATED VOLTAGE)



MODEL NO	RATED VOLTAGE V	OPERATING VOLTAGE V	RATED CURRENT A	ACTUAL CURRENT A	RATED POWER	RATED SPEED RPM (±10%)	MAX. AIR FLOW		MAX. STATIC AIR PRESSURE		NOISE LEVEL db(A)
							CMM	CFM	InH ₂ O	mmH ₂ O	
JL5015U12Y	12	6~13.2	0.28	0.25	3.36	7500	0.136	4.82	1.176	29.87	47.9
JL5015H12Y	12	6~13.2	0.17	0.15	2.04	6500	0.116	4.10	0.803	20.40	44.7
JL5015M12Y	12	6~13.2	0.13	0.11	1.56	5500	0.101	3.57	0.556	14.12	40.2
JL5015L12Y	12	6~13.2	0.1	0.08	1.2	4500	0.084	2.97	0.357	9.07	34.9
JL5015U24Y	24	12~26.4	0.16	0.25	3.84	7500	0.136	4.82	1.176	29.87	47.9
JL5015H24Y	24	12~26.4	0.12	0.11	2.88	6500	0.116	4.10	0.803	20.40	44.7
JL5015M24Y	24	12~26.4	0.1	0.09	2.4	5500	0.101	3.57	0.556	14.12	40.2
JL5015L24Y	24	12~26.4	0.08	0.07	1.92	4500	0.084	2.97	0.357	9.07	34.9

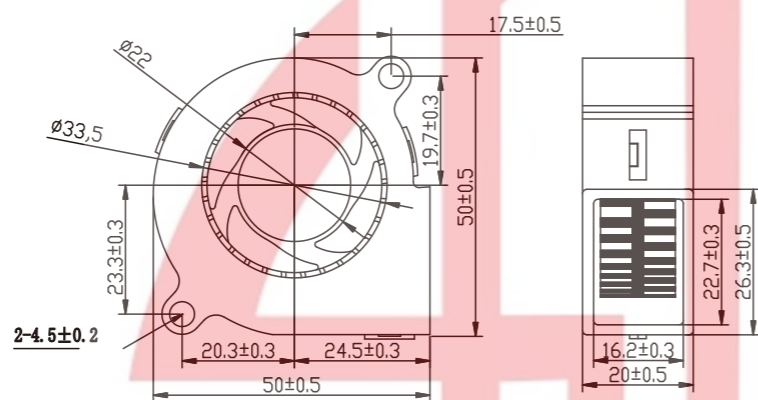
■ PS: Where Y can be S . B .



JULONG MOTOR
AC/DC FANS COOLING FANS



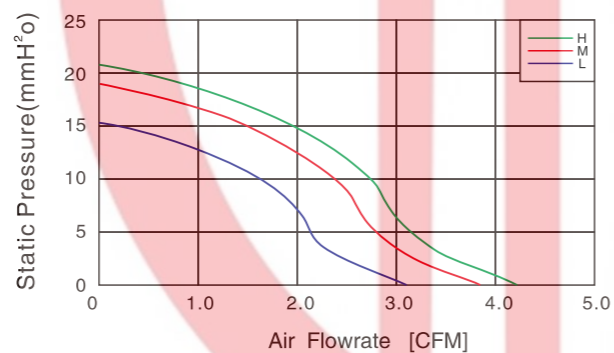
DIMENSIONS DRAWING



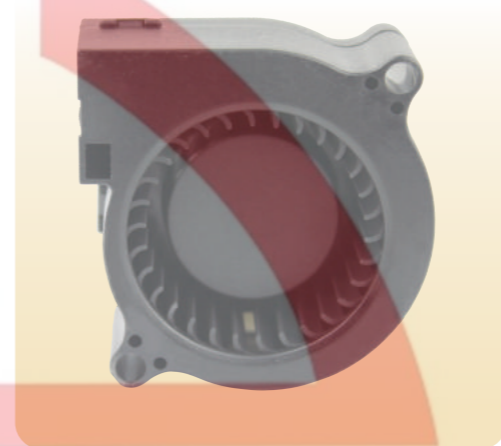
DC BLOWER 50*50*20MM SERIES

Material
UL 1007 AWG # 24 OR Equivalent
Red Wire:Positive (+)
Black Wire:Negative (-)
Yellow wire:FG Signal or RD Signal

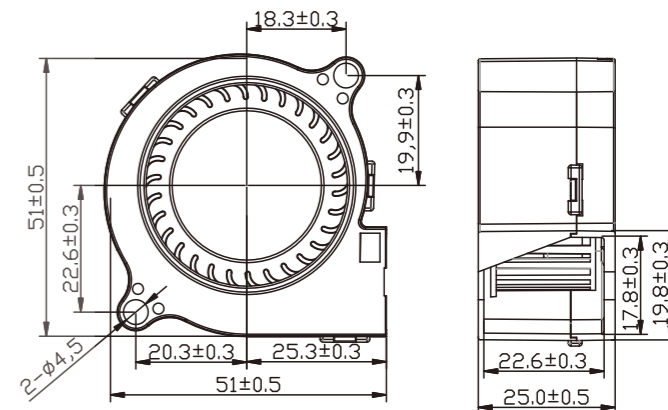
P & Q CURVE (AT RATED VOLTAGE)



MODEL NO	RATED VOLTAGE V	OPERATING VOLTAGE V	RATED CURRENT A	ACTUAL CURRENT A	RATED POWER	RATED SPEED RPM (±10%)	MAX. AIR FLOW		MAX.STATIC AIR PRESSURE		NOISE LEVEL db(A)
							CMM	CFM	InH2O	mmH2O	
JL5020L5	5	3.6~6.8	0.17	0.15	0.85	4000	0.081	3.09	0.599	15.222	32.1
JL5020L12	12	6~13.5	0.14	0.12	1.68	4000	0.081	3.09	0.599	15.222	32.1
JL5020L24	24	18~26.5	0.07	0.05	1.68	4000	0.081	3.09	0.599	15.222	32.1
JL5020M5	5	3.6~6.8	0.39	0.37	1.95	5000	0.109	3.87	0.749	19.028	37
JL5020M12	12	6~13.5	0.19	0.17	2.28	5000	0.109	3.87	0.749	19.028	37
JL5020M24	24	18~26.5	0.11	0.09	2.64	5000	0.109	3.87	0.749	19.028	37
JL5020H12	12	6~13.5	0.23	0.21	2.76	5500	0.121	4.26	0.824	20.931	39.6
JL5020H24	24	18~26.5	0.15	0.13	3.6	5500	0.121	4.26	0.824	20.931	39.6



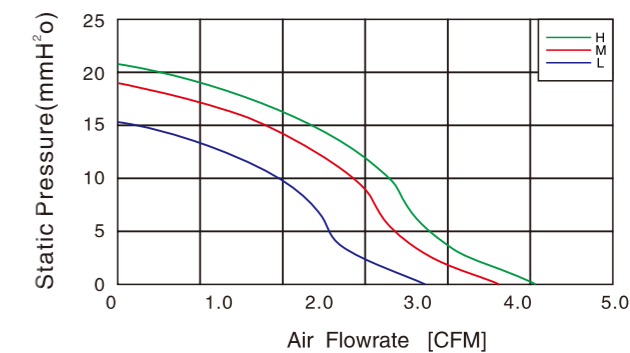
DIMENSIONS DRAWING



DC BLOWER 50*50*25MM SERIES

Material
UL 1007 AWG # 22 OR Equivalent
Red Wire:Positive (+)
Black Wire:Negative (-)
Yellow wire:FG or RD Signal

P & Q CURVE (AT RATED VOLTAGE)



MODEL NO	RATED VOLTAGE V	OPERATING VOLTAGE V	RATED CURRENT A	ACTUAL CURRENT A	RATED POWER	RATED SPEED RPM (±10%)	MAX. AIR FLOW		MAX.STATIC AIR PRESSURE		NOISE LEVEL db(A)
							CMM	CFM	InH2O	mmH2O	
JL5025L05	5	3.6~6.8	0.16	0.14	0.8	3000	0.087	3.09	0.599	5.222	34.5
JL5025L12	12	6.0~13.5	0.11	0.09	1.32	3000	0.087	3.09	0.599	5.222	34.5
JL5025M05	5	3.6~6.8	0.21	0.19	1.05	3500	0.105	3.727	0.301	7.623	37.5
JL5025M12	12	6.0~13.5	0.14	0.12	1.68	3500	0.105	3.727	0.301	7.623	37.5
JL5025M24	24	18~26.5	0.08	0.06	1.92	3500	0.105	3.727	0.301	7.623	37.5
JL5025H05	5	3.6~6.8	0.35	0.33	1.75	4000	0.113	3.993	0.442	11.24	40.3
JL5025H12	12	6.0~13.5	0.2	0.18	2.4	4000	0.113	3.993	0.442	11.24	40.3
JL5025H24	24	18~26.5	0.1	0.08	2.4	4000	0.113	3.993	0.442	11.24	40.3
JL5025H12-HH	12	6.0~13.5	0.25	0.23	3	5000	0.151	5.305	0.819	20.801	46.2
JL5025H24-HH	24	18~26.5	0.12	0.10	2.88	5000	0.151	5.305	0.819	20.801	46.2



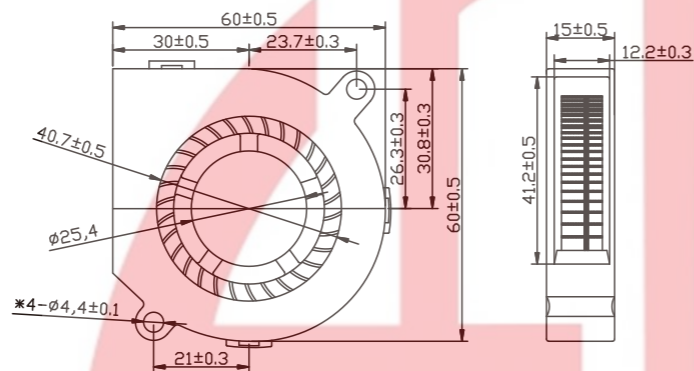
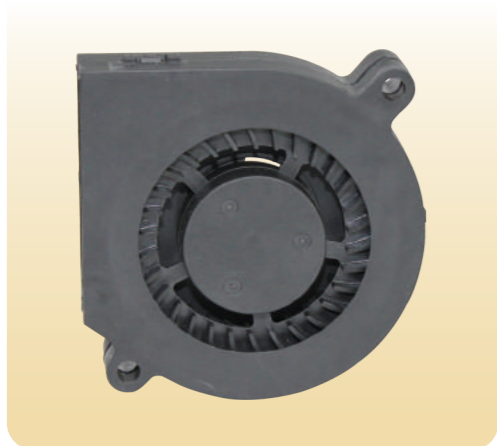
JULONG MOTOR
AC/DC FANS COOLING FANS



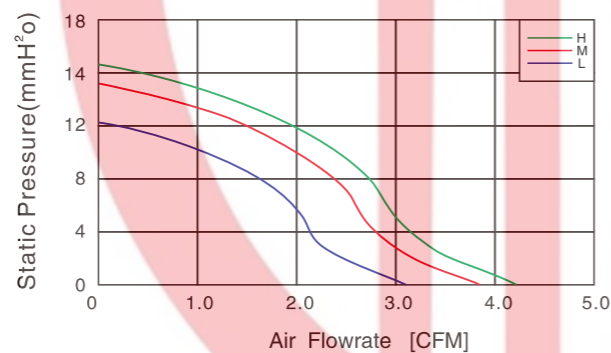
本样册仅供参考，具体以规格书为准。
This sample book is for reference only. Please refer to the specification for details.
如需特殊电压也可特别定制提供。本公司保留技术知识产权。
Special voltage may be provided (necessary according to the enquiry). All technical modification rights reserved.

Http://www.xtgygs.cn

DIMENSIONS DRAWING



P & Q CURVE (AT RATED VOLTAGE)

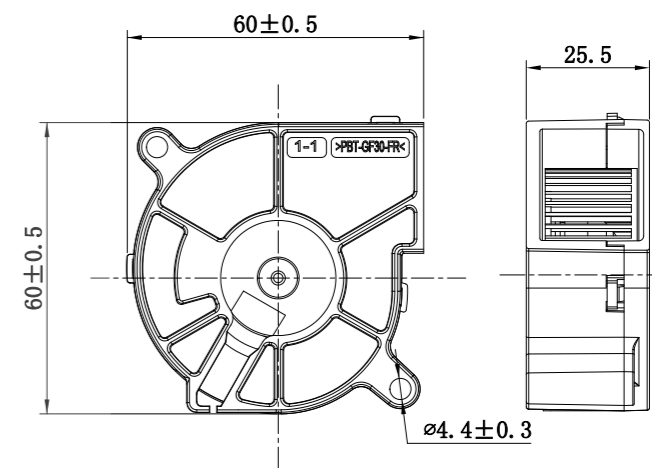
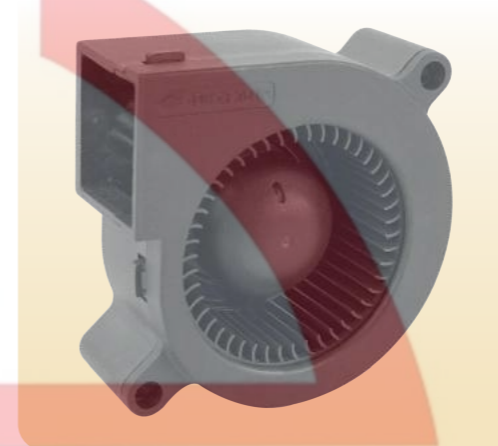


DC BLOWER 60*60*15MM SERIES

Material
UL 1007 AWG # 24 OR Equivalent
Red Wire:Positive (+)
Black Wire:Negative (-)
Yellow wire:FG Signal or RD Signal

MODEL NO	RATED VOLTAGE V	OPERATING VOLTAGE V	RATED CURRENT A	ACTUAL CURRENT A	RATED POWER	RATED SPEED RPM (±10%)	MAX. AIR FLOW		MAX.STATIC AIR PRESSURE		NOISE LEVEL db(A)
							CMM	CFM	InH ₂ O	mmH ₂ O	
JL6015L05	5	3.6~6.8	0.16	0.14	0.8	3500	0.1	3.55	0.43	10.8	33.4
JL6015L12	12	6.0~13.5	0.13	0.11	1.56	3500	0.1	3.55	0.43	10.8	33.4
JL6015M12	12	3.6~6.8	0.2	0.18	2.4	4000	0.11	3.85	0.45	11.5	37.9
JL6015M24	24	6.0~13.5	0.12	0.10	2.88	4000	0.11	3.85	0.45	11.5	37.9
JL6015H12	12	3.6~6.8	0.28	0.26	3.36	4500	0.12	4.45	0.61	15.53	40.6
JL6015H24	24	6.0~13.5	0.15	0.13	3.6	4500	0.12	4.45	0.61	15.53	40.6

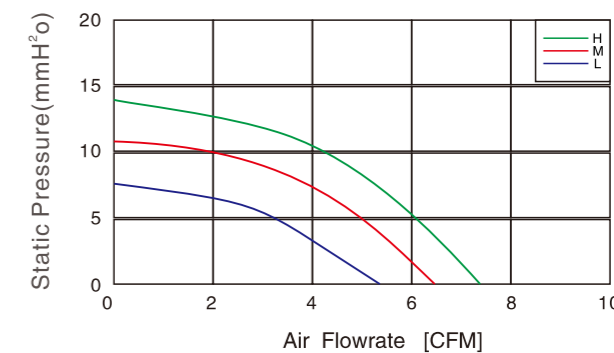
DIMENSIONS DRAWING



DC BLOWER 60*60*25MM SERIES

Material
UL 1007 AWG # 24 OR Equivalent
Red Wire:Positive (+)
Black Wire:Negative (-)
Yellow wire:FG or RD Signal

P & Q CURVE (AT RATED VOLTAGE)



MODEL NO	RATED VOLTAGE V	OPERATING VOLTAGE V	RATED CURRENT A	ACTUAL CURRENT A	RATED POWER	RATED SPEED RPM (±10%)	MAX. AIR FLOW		MAX.STATIC AIR PRESSURE		NOISE LEVEL db(A)
							CMM	CFM	InH ₂ O	mmH ₂ O	
JL6025H12B	12	6~13.2	0.28	0.25	3.36	4000	0.206	7.28	0.585	14.87	35.5
JL6025M12B	12	6~13.2	0.18	0.16	2.16	3500	0.180	6.37	0.449	11.4	32.6
JL6025L12B	12	6~13.2	0.14	0.12	1.68	3000	0.155	5.46	0.330	8.37	29.3
JL6025H24B	24	12~26.4	0.16	0.14	3.84	4000	0.206	7.28	0.585	14.87	35.5
JL6025M24B	24	12~26.4	0.14	0.10	3.36	3500	0.180	6.37	0.449	11.4	32.6
JL6025L24B	24	12~26.4	0.1	0.07	2.4	3000	0.155	5.46	0.330	8.37	29.3

九 龙 电 机

AC Axial Fan
AC轴流风机

AC All-Metal Axial Fan
AC全金属轴流风扇

DC Axial Fan
DC轴流风机

DC Centrifugal Fan
DC离心风机

EC Axial Fan
EC轴流风机

EC Centrifugal Fan
EC离心风机

AC Centrifugal Fan
AC离心风机

Fan Accessories
风机配件



JULONG MOTOR
AC/DC FANS COOLING FANS

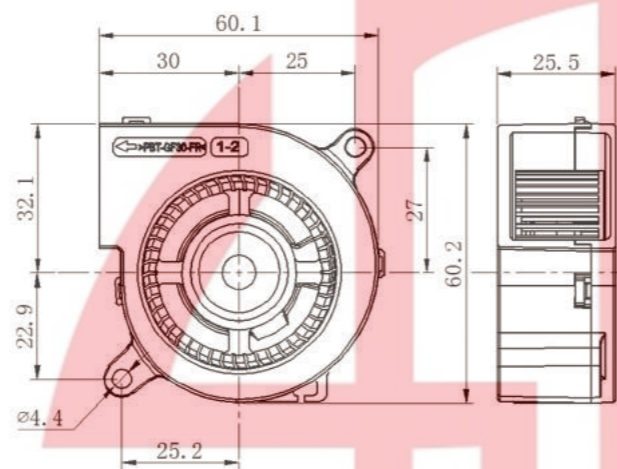


本样册仅供参考，具体以规格书为准。
This sample book is for reference only. Please refer to the specification for details.
如需特殊电压也可特别定制提供。本公司保留技术知识产权。
Special voltage may be provided according to the requirement. All technical modification rights reserved.

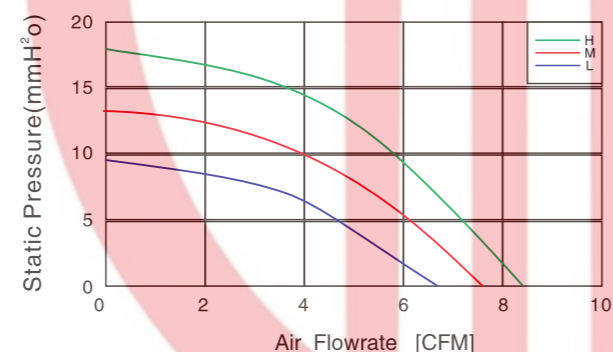
Http://www.xtgygs.cn



DIMENSIONS DRAWING



P & Q CURVE (AT RATED VOLTAGE)



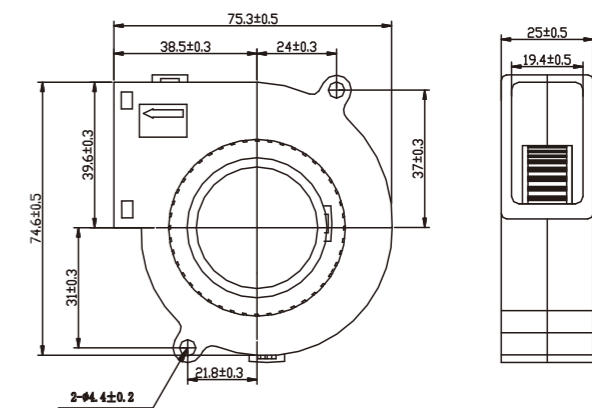
DC BLOWER
60*60*25MM SERIES

Material
UL 1007 AWG # 24 OR Equivalent
Red Wire:Positive (+)
Black Wire:Negative (-)
Yellow wire:FG or RD Signal

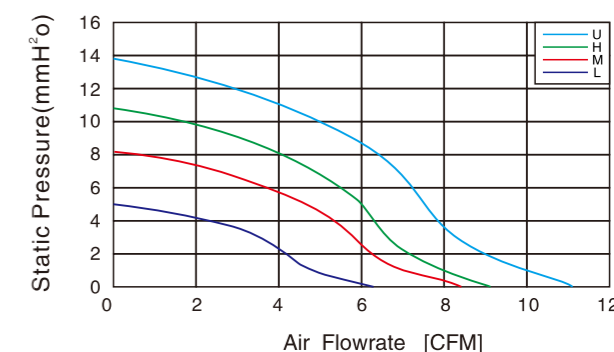
MODEL NO	RATED VOLTAGE V	OPERATING VOLTAGE V	RATED CURRENT A	ACTUAL CURRENT A	RATED POWER	RATED SPEED RPM (±10%)	MAX. AIR FLOW		MAX.STATIC AIR PRESSURE		NOISE LEVEL db(A)
							CMM	CFM	InH2O	mmH2O	
JL6025H12B	12	6~13.2	0.30	0.27	3.6	4000	0.240	8.46	0.689	17.5	36.1
JL6025M12B	12	6~13.2	0.20	0.18	2.4	3500	0.210	7.40	0.528	13.4	33.2
JL6025L12B	12	6~13.2	0.15	0.13	1.8	3000	0.180	6.35	0.387	9.84	32.6
JL6025H24B	24	12~26.4	0.18	0.15	4.32	4000	0.240	8.46	0.689	17.5	36.1
JL6025M24B	24	12~26.4	0.15	0.10	3.6	3500	0.210	7.40	0.528	13.4	33.2
JL6025L24B	24	12~26.4	0.1	0.07	2.4	3000	0.180	6.35	0.387	9.84	32.6



DIMENSIONS DRAWING



P & Q CURVE (AT RATED VOLTAGE)



DC BLOWER
75.3*75.3*25MM SERIES

Material
UL 1007 AWG # 22 OR Equivalent
Red Wire:Positive (+)
Black Wire:Negative (-)
Yellow wire:FG or RD Signal

MODEL NO	RATED VOLTAGE V	OPERATING VOLTAGE V	RATED CURRENT A	ACTUAL CURRENT A	RATED POWER	RATED SPEED RPM (±10%)	MAX. AIR FLOW		MAX.STATIC AIR PRESSURE		NOISE LEVEL db(A)
							CMM	CFM	InH2O	mmH2O	
JL7525L12	12	6~13.5	0.11	0.09	1.32	2000	0.18	6.31	0.2	5.04	34.8
JL7525L24	24	18~26.5	0.08	0.06	1.92	2000	0.18	6.31	0.2	5.04	34.8
JL7525M12	12	6~13.5	0.22	0.20	2.64	2500	0.24	8.5	0.32	8.25	36.5
JL7525M24	24	18~26.5	0.11	0.09	2.64	2500	0.24	8.5	0.32	8.25	36.5
JL7525H12	12	6~13.5	0.26	0.24	3.12	3000	0.26	9.21	0.43	10.85	40.1
JL7525H24	24	18~26.5	0.14	0.12	2.94	3000	0.26	9.21	0.43	10.85	40.1
JL7525H12-HH	12	6~13.5	0.35	0.33	4.2	3500	0.31	11.11	0.54	13.75	43.8
JL7525H24-HH	24	18~26.5	0.23	0.21	5.52	3500	0.31	11.11	0.54	13.75	43.8

九 龙 电 机

AC Axial Fan
AC轴流风机

AC All-Metal Axial Fan
AC全金属轴流风扇

DC Axial Fan
DC轴流风机

DC Centrifugal Fan
DC离心风机

EC Axial Fan
EC轴流风机

EC Centrifugal Fan
EC离心风机

AC Centrifugal Fan
AC离心风机

Fan Accessories
风机配件



JULONG MOTOR
AC/DC FANS COOLING FANS

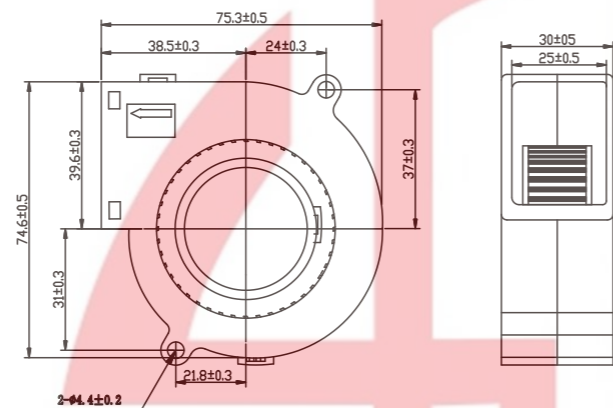


本样册内所有数据均以规格书为准。
This sample book is for reference only. Please refer to the specification for details.
如需特殊电压也可根据规格书提供。本公司保留技术更改权利。
Special voltage may be provided according to the enquiry. All technical modification rights reserved.

Http://www.xtgygs.cn



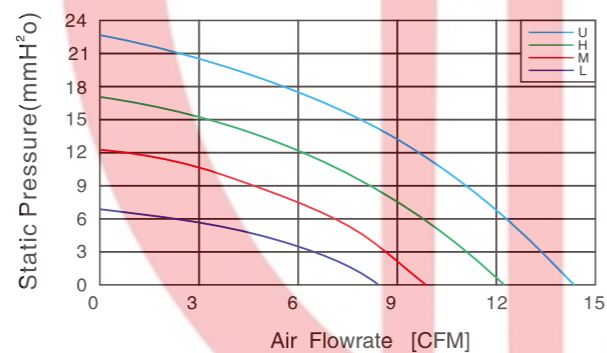
DIMENSIONS DRAWING



DC BLOWER 75.3*75.3*30MM SERIES

Material
UL 1007 AWG # 24 OR Equivalent
Red Wire:Positive (+)
Black Wire:Negative (-)
Yellow wire:FG Signal or RD Signal

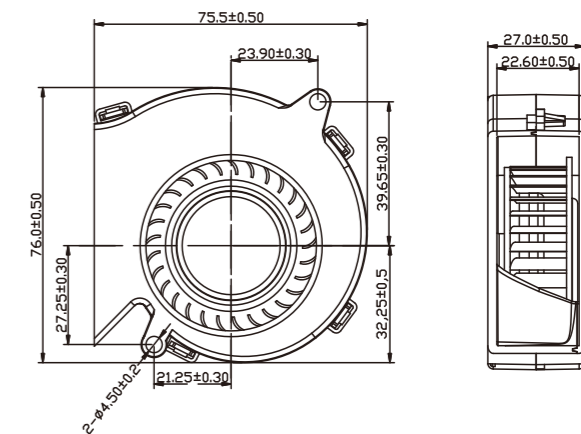
P & Q CURVE (AT RATED VOLTAGE)



MODEL NO	RATED VOLTAGE V	OPERATING VOLTAGE V	RATED CURRENT A	ACTUAL CURRENT A	RATED POWER	RATED SPEED RPM (±10%)	MAX. AIR FLOW		MAX.STATIC AIR PRESSURE		NOISE LEVEL db(A)
							CMM	CFM	InH2O	mmH2O	
JL7530U12B	12	6~13.2	0.56	0.51	6.72	4000	0.398	14.06	0.904	22.96	44.6
JL7530H12B	12	6~13.2	0.4	0.36	4.8	3500	0.36	12.71	0.693	17.60	40.4
JL5015M12B	12	6~13.2	0.25	0.23	3	3000	0.301	10.63	0.509	12.93	36.1
JL5015L12B	12	6~13.2	0.17	0.15	2.04	2500	0.247	8.72	0.289	7.34	31.1
JL7530U24B	24	12~26.4	0.34	0.3	8.16	4000	0.398	14.06	0.904	22.96	44.6
JL7530H24B	24	12~26.4	0.26	0.23	6.24	3500	0.36	12.71	0.693	17.60	40.4
JL7530M24B	24	12~26.4	0.16	0.14	3.84	3000	0.301	10.63	0.509	12.93	36.1
JL7530L24B	24	12~26.4	0.12	0.1	2.88	2500	0.247	8.72	0.289	7.34	31.1
JL7530U48B	48	24~52.8	0.25	0.22	12	4000	0.398	14.06	0.904	22.96	44.6
JL7530H48B	48	24~52.8	0.17	0.15	8.16	3500	0.36	12.71	0.693	17.60	40.4
JL7530M48B	48	24~52.8	0.13	0.11	6.24	3000	0.301	10.63	0.509	12.93	36.1
JL7530L48B	48	24~52.8	0.1	0.08	4.8	2500	0.247	8.72	0.289	7.34	31.1



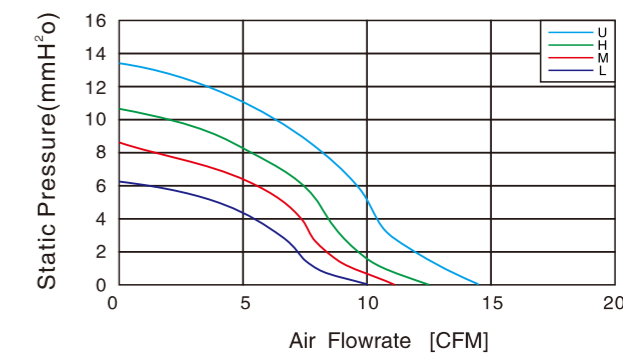
DIMENSIONS DRAWING



DC BLOWER 75.5*76*27MM SERIES

Material
UL 1007 AWG # 22 OR Equivalent
Red Wire:Positive (+)
Black Wire:Negative (-)
Yellow wire:FG or RD Signal

P & Q CURVE (AT RATED VOLTAGE)



MODEL NO	RATED VOLTAGE V	OPERATING VOLTAGE V	RATED CURRENT A	ACTUAL CURRENT A	RATED POWER	RATED SPEED RPM (±10%)	MAX. AIR FLOW		MAX.STATIC AIR PRESSURE		NOISE LEVEL db(A)
							CMM	CFM	InH2O	mmH2O	
JL7627L12	12	6~13.5	0.13	0.11	1.56	3000	0.29	10.23	0.246	6.25	36.2
JL7627L24	24	18~26.5	0.08	0.06	1.92	3000	0.29	10.23	0.246	6.25	36.2
JL7627M12	12	6~13.5	0.22	0.20	2.64	3500	0.32	11.35	0.339	8.6	41.5
JL7627M24	24	18~26.5	0.12	0.10	2.88	3500	0.32	11.35	0.339	8.6	41.5
JL7627H12	12	6~13.5	0.28	0.26	3.36	4000	0.35	12.48	0.421	10.7	45.7
JL7627H24	24	18~26.5	0.15	0.13	3.6	4000	0.35	12.48	0.421	10.7	45.7
JL7627H12-HH	12	6~13.5	0.36	0.34	4.32	4500	0.41	14.63	0.529	13.43	48.1
JL7627H24-HH	24	18~26.5	0.21	0.19	5.04	4500	0.41	14.63	0.529	13.43	48.1

AC Axial Fan
AC轴流风机

AC All-Metal Axial Fan
AC全金属轴流风扇

DC Axial Fan
DC轴流风机

DC Centrifugal Fan
DC离心风机

EC Axial Fan
EC轴流风机

EC Centrifugal Fan
EC离心风机

AC Centrifugal Fan
AC离心风机

Fan Accessories
风机配件



JULONG MOTOR
AC/DC FANS COOLING FANS

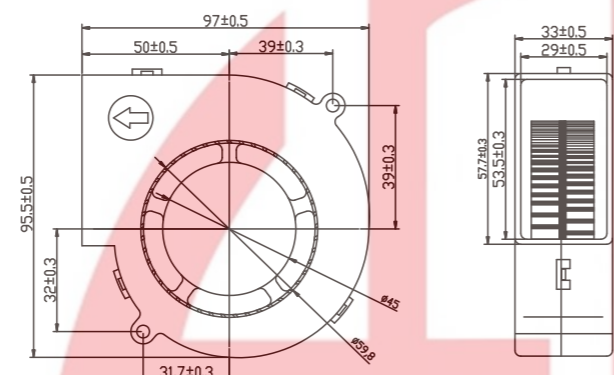


本样册仅供参考，具体以规格书为准。
This sample book is for reference only. Please refer to the specification for details.
如需特殊电压也可根据规格书提供。本公司保留技术更改权利。
Special voltage may be provided according to the enquiry. All technical modification rights reserved.

Http://www.xtgygs.cn



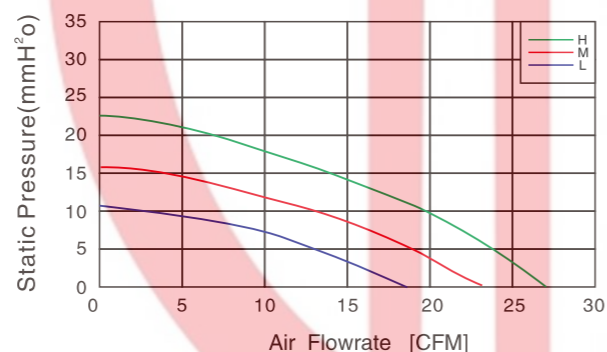
DIMENSIONS DRAWING



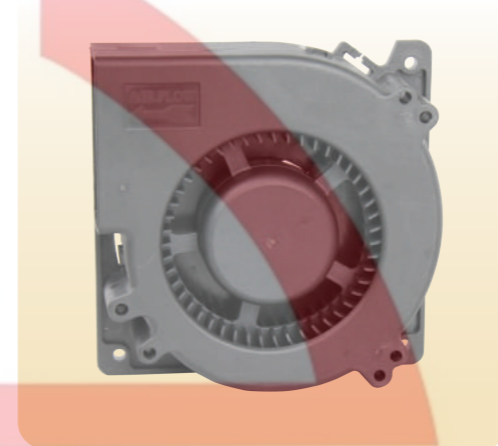
DC BLOWER 97*95*33MM SERIES

Material
UL 1007 AWG # 24 OR Equivalent
Red Wire:Positive (+)
Black Wire:Negative (-)
Yellow wire:FG Signal or RD Signal

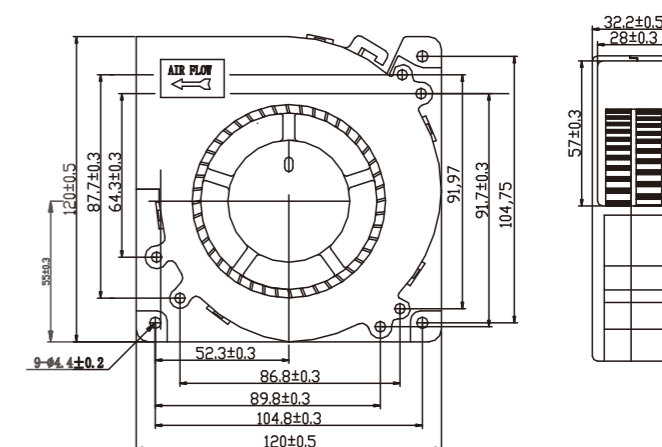
P & Q CURVE (AT RATED VOLTAGE)



MODEL NO	RATED VOLTAGE V	OPERATING VOLTAGE V	RATED CURRENT A	ACTUAL CURRENT A	RATED POWER	RATED SPEED RPM (±10%)	MAX. AIR FLOW		MAX.STATIC AIR PRESSURE		NOISE LEVEL db(A)
							CMM	CFM	InH2O	mmH2O	
JL9733H12B	12	6~13.2	1.0	0.9	12.0	3500	0.76	26.84	0.893	22.68	50.2
JL9733M12B	12	6~13.2	0.59	0.53	7.08	3000	0.657	23.20	0.656	16.67	46.8
JL9733L12B	12	6~13.2	0.33	0.29	3.96	2500	0.509	17.98	0.457	11.6	42.8
JL9733H24B	24	12~26.4	0.57	0.51	13.7	3500	0.76	26.84	0.893	22.68	50.2
JL9733M24B	24	12~26.4	0.39	0.35	9.36	3000	0.657	23.20	0.656	16.67	46.8
JL9733L24B	24	12~26.4	0.22	0.19	5.28	2500	0.509	17.98	0.457	11.6	42.8
JL9733H48B	48	24~52.8	0.33	0.3	15.8	3500	0.76	26.84	0.893	22.68	50.2
JL9733M48B	48	24~52.8	0.22	0.19	10.6	3000	0.657	23.20	0.656	16.67	46.8
JL9733L48B	48	24~52.8	0.13	0.11	6.24	2500	0.509	17.98	0.457	11.6	42.8



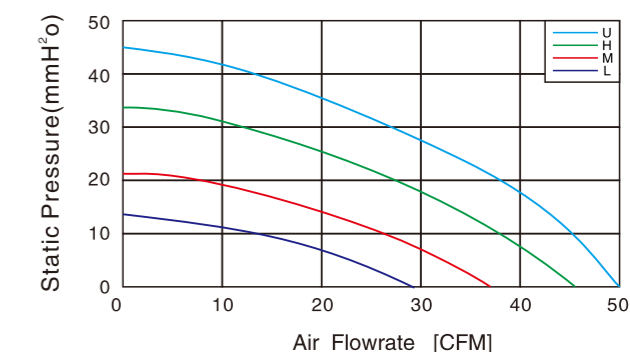
DIMENSIONS DRAWING



DC BLOWER 120*120*32MM SERIES

Material
UL 1007 AWG # 24 OR Equivalent
Red Wire:Positive (+)
Black Wire:Negative (-)
Yellow wire:FG or RD Signal

P & Q CURVE (AT RATED VOLTAGE)



MODEL NO	RATED VOLTAGE V	OPERATING VOLTAGE V	RATED CURRENT A	ACTUAL CURRENT A	RATED POWER	RATED SPEED RPM (±10%)	MAX. AIR FLOW		MAX.STATIC AIR PRESSURE		NOISE LEVEL db(A)
							CMM	CFM	InH2O	mmH2O	
JL12032U12B	12	6~13.2	1.5	1.3	12.0	3500	1.453	51.30	1.799	45.69	57.4
JL12032H12B	12	6~13.2	1.1	1.0	13.2	3000	1.246	44.00	1.295	32.89	54.1
JL12032M12B	12	6~13.2	0.7	0.63	8.40	2500	1.038	36.67	0.899	22.84	50.1
JL12032L12B	12	6~13.2	0.38	0.34	4.56	2000	0.830	29.30	0.575	14.6	45.3
JL12032U24B	24	12~26.4	1.1	1.0	26.4	3500	1.453	51.30	1.799	45.69	57.4
JL12032H24B	24	12~26.4	0.9	0.81	21.6	3000	1.246	44.00	1.295	32.89	54.1
JL12032M24B	24	12~26.4	0.33	0.3	7.92	2500	1.038	36.67	0.899	22.84	50.1
JL12032L24B	24	12~26.4	0.22	0.2	5.28	2000	0.830	29.30	0.575	14.6	45.3
JL12032U48B	48	24~52.8	0.9	0.83	43.2	3500	1.453	51.30	1.799	45.69	57.4
JL12032H48B	48	24~52.8	0.76	0.69	36.5	3000	1.246	44.00	1.295	32.89	54.1
JL12032M48B	48	24~52.8	0.22	0.2	10.6	2500	1.038	36.67	0.899	22.84	50.1
JL12032L48B	48	24~52.8	0.15	0.13	7.2	2000	0.830	29.3	0.575	14.6	45.3

AC Axial Fan
AC轴流风机

AC All-Metal Axial Fan
AC全金属轴流风扇

DC Axial Fan
DC轴流风机

DC Centrifugal Fan
DC离心风机

EC Axial Fan
EC轴流风机

EC Centrifugal Fan
EC离心风机

AC Centrifugal Fan
AC离心风机

Fan Accessories
风机配件



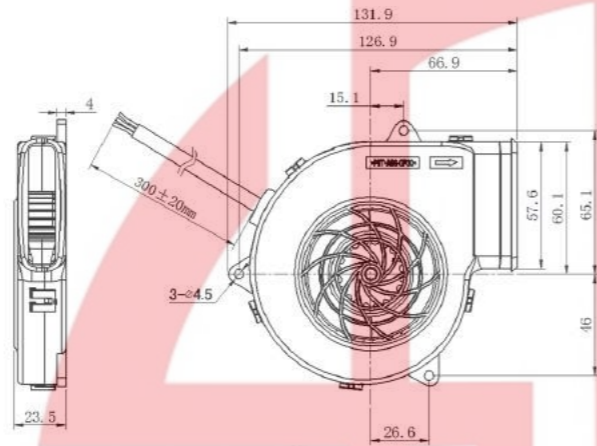
JULONG MOTOR
AC/DC FANS COOLING FANS



Http://www.xtgygs.cn



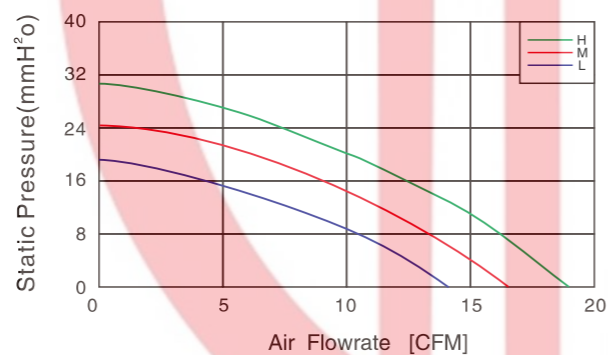
DIMENSIONS DRAWING



DC BLOWER 130*121*25MM SERIES

Material
UL 1007 AWG # 24 OR Equivalent
Red Wire:Positive (+)
Black Wire:Negative (-)
Yellow wire:FG Signal or RD Signal

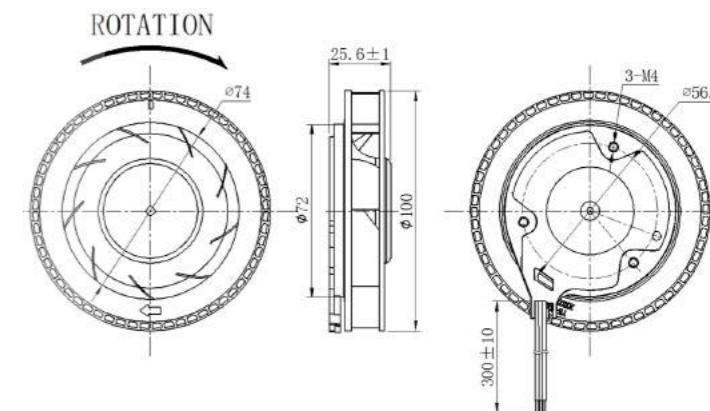
P & Q CURVE (AT RATED VOLTAGE)



MODEL NO	RATED VOLTAGE V	OPERATING VOLTAGE V	RATED CURRENT A	ACTUAL CURRENT A	RATED POWER	RATED SPEED RPM (±10%)	MAX. AIR FLOW		MAX.STATIC AIR PRESSURE		NOISE LEVEL db(A)
							CMM	CFM	InH2O	mmH2O	
JL13025H12B	12	6~13.2	0.6	0.5	7.2	3200	0.512	18.07	1.189	30.20	50.8
JL13025M12B	12	6~13.2	0.42	0.37	5.04	2900	0.464	16.38	0.976	24.80	48.6
JL13025L12B	12	6~13.2	0.3	0.25	3.60	2500	0.400	14.12	0.726	18.43	45.4



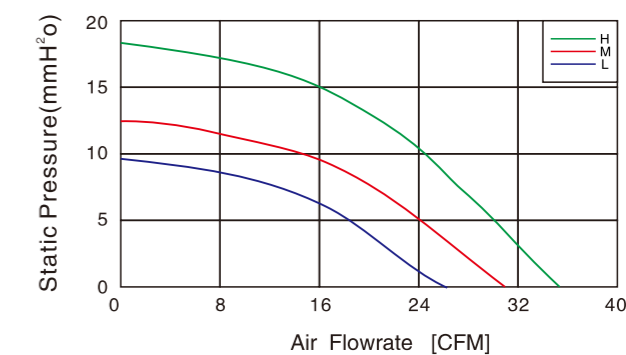
DIMENSIONS DRAWING



DC ENTRIFUGAL FAN 100*100*25MM SERIES

Material
UL 1007 AWG # 24 OR Equivalent
Red Wire:Positive (+)
Black Wire:Negative (-)
Yellow wire:FG or RD Signal

P & Q CURVE (AT RATED VOLTAGE)



MODEL NO	RATED VOLTAGE V	OPERATING VOLTAGE V	RATED CURRENT A	ACTUAL CURRENT A	RATED POWER	RATED SPEED RPM (±10%)	MAX. AIR FLOW		MAX.STATIC AIR PRESSURE		NOISE LEVEL db(A)
							CMM	CFM	InH2O	mmH2O	
YDH10025H12B	12	6~13.2	0.15	0.13	1.8	3500	0.989	34.91	0.736	18.7	43.5
YDH10025M12B	12	6~13.2	0.25	0.22	3.0	3000	0.875	30.9	0.539	13.7	40.1
YDH10025L12B	12	6~13.2	0.30	0.25	3.6	2500	0.705	24.9	0.376	9.54	36.2
YDH10025H24B	24	12~26.4	0.10	0.09	2.4	3500	0.989	34.91	0.736	18.7	43.5
YDH10025M24B	24	12~26.4	0.15	0.13	3.6	3000	0.875	30.9	0.539	13.7	40.1
YDH10025L24B	24	12~26.4	0.20	0.18	4.8	2500	0.705	24.9	0.375	9.54	36.2

九 龙 电 机



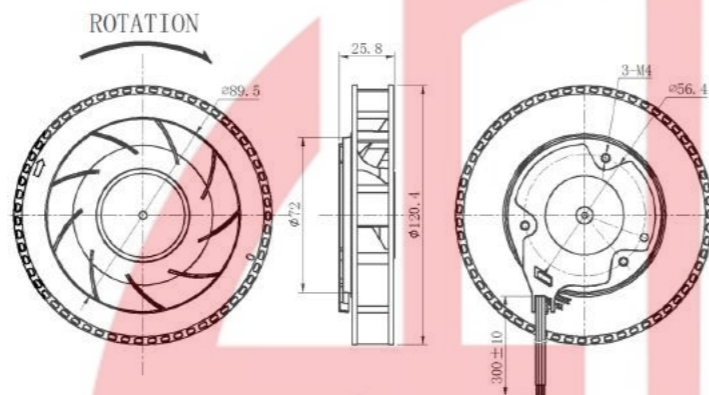
JULONG MOTOR
AC/DC FANS COOLING FANS



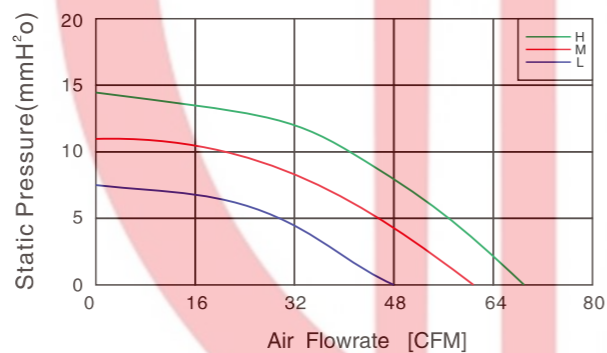
Http://www.xtgygs.cn



DIMENSIONS DRAWING



P & Q CURVE (AT RATED VOLTAGE)



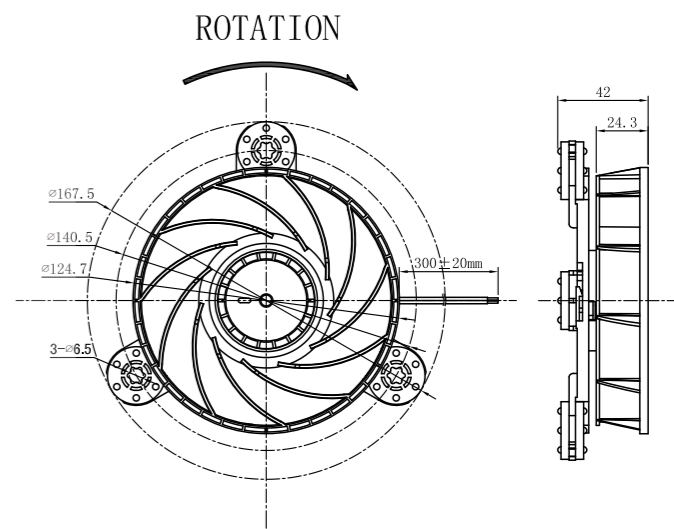
DC ENTRIFUGAL FAN
120*120*25MM SERIES

Material
UL 1007 AWG # 24 OR Equivalent
Red Wire:Positive (+)
Black Wire:Negative (-)
Yellow wire:FG Signal or RD Signal

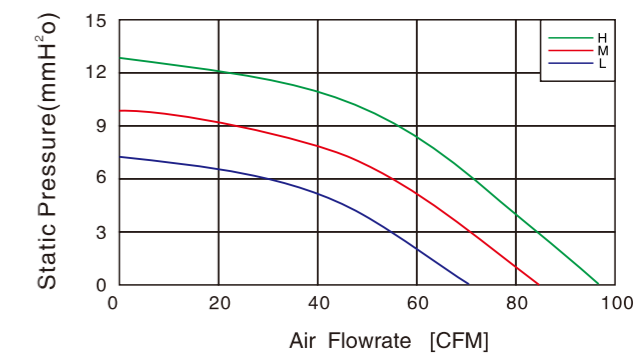
MODEL NO	RATED VOLTAGE V	OPERATING VOLTAGE V	RATED CURRENT A	ACTUAL CURRENT A	RATED POWER	RATED SPEED RPM (±10%)	MAX. AIR FLOW		MAX.STATIC AIR PRESSURE		NOISE LEVEL db(A)
							CMM	CFM	InH ₂ O	mmH ₂ O	
YDH12025H12B	12	6~13.2	0.8	0.72	9.6	3500	1.860	65.70	0.583	14.80	55.1
YDH12025M12B	12	6~13.2	0.6	0.56	7.2	3000	1.594	56.30	0.429	10.90	51.8
YDH12025L12B	12	6~13.2	0.4	0.37	4.8	2500	1.328	46.90	0.299	7.60	47.8
YDH12025H24B	24	12~26.4	0.45	0.42	10.8	3500	1.860	65.70	0.583	14.80	55.1
YDH12025M24B	24	12~26.4	0.3	0.28	7.2	3000	1.594	56.30	0.429	10.90	51.8
YDH12025L24B	24	12~26.4	0.25	0.22	6	2500	1.328	46.90	0.299	7.60	47.8



DIMENSIONS DRAWING



P & Q CURVE (AT RATED VOLTAGE)



DC ENTRIFUGAL FAN
120*120*35MM SERIES

Material
UL 1007 AWG # 24 OR Equivalent
Red Wire:Positive (+)
Black Wire:Negative (-)
Yellow wire:FG or RD Signal

MODEL NO	RATED VOLTAGE V	OPERATING VOLTAGE V	RATED CURRENT A	ACTUAL CURRENT A	RATED POWER	RATED SPEED RPM (±10%)	MAX. AIR FLOW		MAX.STATIC AIR PRESSURE		NOISE LEVEL db(A)
							CMM	CFM	InH ₂ O	mmH ₂ O	
YDH12025H12B	12	6~13.2	1.2	1.0	14.4	2500	2.632	92.94	0.514	13.06	47.8
YDH12025M12B	12	6~13.2	0.7	0.65	8.4	2200	2.316	81.78	0.398	10.11	45.0
YDH12025L12B	12	6~13.2	0.4	0.35	4.8	1900	2.000	70.63	0.297	7.54	41.8
YDH12025H24B	24	12~26.4	0.7	0.6	16.8	2500	2.632	92.94	0.514	13.06	47.8
YDH12025M24B	24	12~26.4	0.4	0.35	9.6	2200	2.316	81.78	0.398	10.11	45.0
YDH12025L24B	24	12~26.4	0.25	0.2	6	1900	2.000	70.63	0.297	7.54	41.8

九 龙 电 机

AC Axial Fan
AC轴流风机

AC All-Metal Axial Fan
AC全金属轴流风扇

DC Axial Fan
DC轴流风机

DC Centrifugal Fan
DC离心风机

EC Axial Fan
EC轴流风机

EC Centrifugal Fan
EC离心风机

AC Centrifugal Fan
AC离心风机

Fan Accessories
风机配件