

**SXA001TP0.6**

JST

[Buy Now](#)



Looking for a discount?

[Check out our current promotions!](#)

Give us a call

**1-855-837-4225**

International: 1-415-281-3866

## Email Us

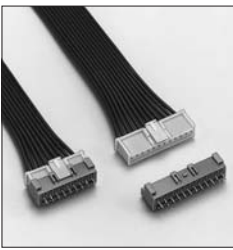
Sales and New Orders: [sales@verical.com](mailto:sales@verical.com)

Order Support: [support@verical.com](mailto:support@verical.com)

Suppliers: [Visit our seller page](#)

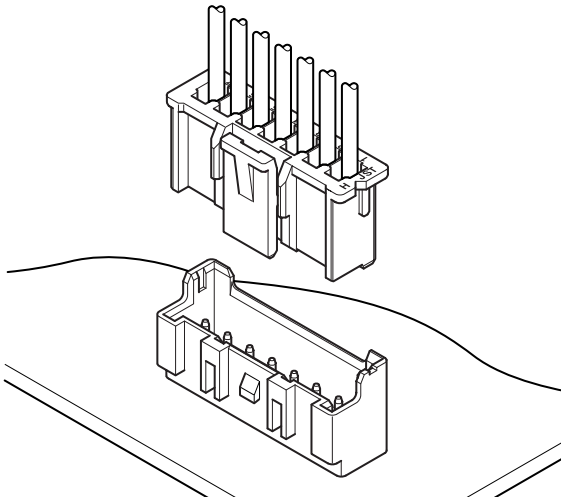
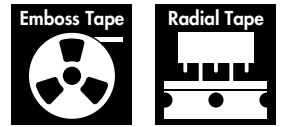
## Company Address

Arrow Electronics, Inc  
9201 East Dry Creek Road  
Centennial, CO 80112



# XA CONNECTOR

2.5mm pitch/Disconnectable Crimp style connectors



- **Secure lock device**
- **Solder crack preventive material**
- **Low insertion force**
- **Insertion guide mechanism**
- **Applicable to automatic board mounting machine**
- **Polarizing boss**

## Specifications

- Current rating: 3 A AC DC (AWG #22, #20)
  - Voltage rating: 250 V AC DC
  - Temperature range: -25°C to +85°C  
(including temperature rise in applying electrical current)
  - Contact resistance: Initial value/ 10 mΩ max.  
After environmental tests/ 20 mΩ max.
  - Insulation resistance: 1,000 MΩ min.
  - Withstanding voltage: 1,000 VAC/minute
  - Applicable wire: AWG #28 to #20
  - Applicable PC board thickness: 1.6 mm
- \* Refer to "General Instruction and Notice when using Terminals and Connectors" at the end of this catalog.  
\* Contact JST for details.  
\* Compliant with RoHS.

## Standards

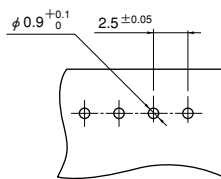
- Recognized E 60389
- Certified LR 20812
- R9851220

## PC board layout and Assembly layout

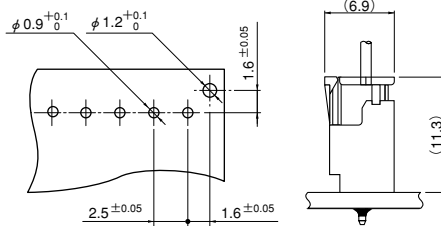
### <Through-hole type>

#### Top entry type

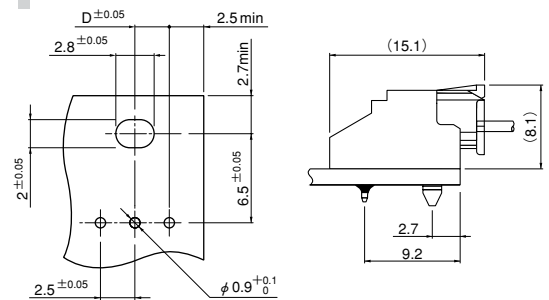
without a boss



with a boss



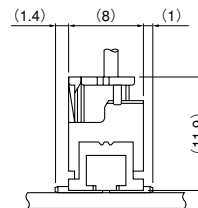
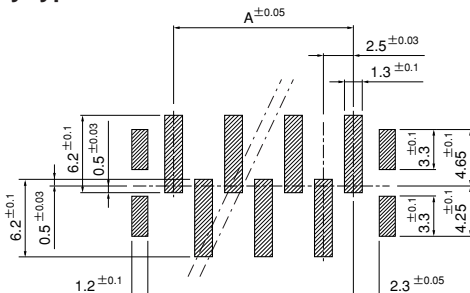
#### Side entry type



Dimension D: Refer to the Model No. chart of header side entry type.

### <SMT type>

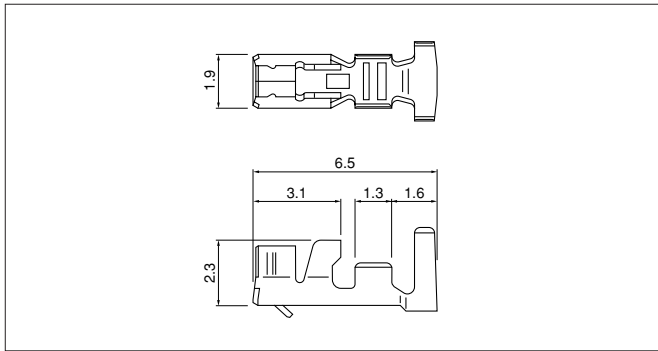
#### Top entry type



Note: 1. The above figure is the figure viewed from the connector mounting side.  
2. Tolerances are non-cumulative:  $\pm 0.05$  mm for all centers.  
3. Hole dimensions differ according to the type of PC board and piercing method.  
The dimensions above should serve as a guideline. Contact JST for details.

# XA CONNECTOR

## Contact



| Model No.             | Applicable wire |       |                      | Q'ty/reel |
|-----------------------|-----------------|-------|----------------------|-----------|
|                       | mm <sup>2</sup> | AWG#  | Insulation O.D. (mm) |           |
| <b>SXA-001T-P0.6</b>  | 0.08~0.33       | 28~22 | 0.8~1.9              | 8,000     |
| <b>SXA-01T-P0.6</b>   | 0.22~0.5        | 24~20 | 1.5~1.9              | 8,000     |
| <b>SXA-001T-P0.6L</b> | 0.13~0.33       | 26~22 | 1.3~1.7              | 8,000     |

### Material and Finish

Phosphor bronze, tin-plated (reflow treatment)

### RoHS compliance

Note :1. SXA-001T-P0.6L is low-insertion force type contact, for easier insertion/withdrawal, which would be less resistant to the vibration. The crimp height is different from the standard contact.  
2. Contact JST for gold-plated products.

| Contact               | Crimping machine | Applicator       |                 |                            |
|-----------------------|------------------|------------------|-----------------|----------------------------|
|                       |                  | Crimp applicator | Dies            | Crimp applicator with dies |
| <b>SXA-001T-P0.6</b>  | AP-K2N           | MKS-L            | MK/SXA/M-001-06 | APLMK SXA/M001-06          |
|                       |                  | *MKS-SC          | SC/SXA/M-001-06 | APLSC SXA/M001-06          |
| <b>SXA-001T-P0.6L</b> |                  | MKS-L            | MK/SXA-001-06L  | APLMK SXA001-06L           |
|                       |                  | *MKS-SC          | SC/SXA-001-06L  | APLSC SXA001-06L           |

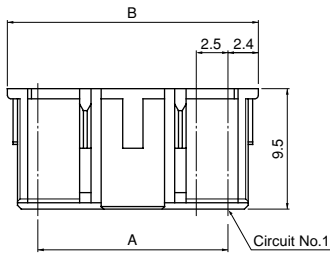
| Contact             | Crimping machine | Applicator       |                |                            |
|---------------------|------------------|------------------|----------------|----------------------------|
|                     |                  | Crimp applicator | Dies           | Crimp applicator with dies |
| <b>SXA-01T-P0.6</b> | AP-K2N           | MKS-L            | MK/SXA/M-01-06 | APLMK SXA/M01-06           |
|                     |                  | *MKS-SC          | SC/SXA/M-01-06 | APLSC SXA/M01-06           |

Note :1. \*Strip-crimp applicator

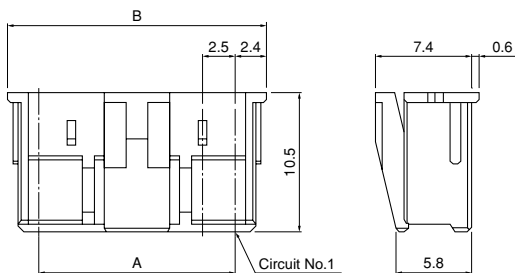
2. Contact JST for fully automatic crimping applicator.

## Housing

### Standard type



### Retainer mountable type



| No. of circuits | Model No.        |                         | Dimensions (mm) |      | Q'ty/bag      |                         |
|-----------------|------------------|-------------------------|-----------------|------|---------------|-------------------------|
|                 | Standard type    | Retainer mountable type | A               | B    | Standard type | Retainer mountable type |
| 2               | <b>XAP-02V-1</b> | <b>XARP-02V</b>         | 2.5             | 7.3  | 1,000         | 1,000                   |
| 3               | <b>XAP-03V-1</b> | <b>XARP-03V</b>         | 5.0             | 9.8  | 1,000         | 1,000                   |
| 4               | <b>XAP-04V-1</b> | <b>XARP-04V</b>         | 7.5             | 12.3 | 1,000         | 1,000                   |
| 5               | <b>XAP-05V-1</b> | <b>XARP-05V</b>         | 10.0            | 14.8 | 1,000         | 1,000                   |
| 6               | <b>XAP-06V-1</b> | <b>XARP-06V</b>         | 12.5            | 17.3 | 1,000         | 1,000                   |
| 7               | <b>XAP-07V-1</b> | <b>XARP-07V</b>         | 15.0            | 19.8 | 1,000         | 1,000                   |
| 8               | <b>XAP-08V-1</b> | <b>XARP-08V</b>         | 17.5            | 22.3 | 1,000         | 1,000                   |
| 9               | <b>XAP-09V-1</b> | <b>XARP-09V</b>         | 20.0            | 24.8 | 1,000         | 1,000                   |
| 10              | <b>XAP-10V-1</b> | <b>XARP-10V</b>         | 22.5            | 27.3 | 1,000         | 1,000                   |
| 11              | <b>XAP-11V-1</b> | <b>XARP-11V</b>         | 25.0            | 29.8 | 1,000         | 1,000                   |
| 12              | <b>XAP-12V-1</b> | <b>XARP-12V</b>         | 27.5            | 32.3 | 1,000         | 1,000                   |
| 13              | <b>XAP-13V-1</b> | <b>XARP-13V</b>         | 30.0            | 34.8 | 1,000         | 1,000                   |
| 14              | <b>XAP-14V-1</b> | <b>XARP-14V</b>         | 32.5            | 37.3 | 500           | 1,000                   |
| 15              | <b>XAP-15V-1</b> | <b>XARP-15V</b>         | 35.0            | 39.8 | 500           | 1,000                   |
| 18              | —                | <b>XARP-18V</b>         | 42.5            | 47.3 | —             | 500                     |
| 20              | <b>XAP-20V-1</b> | —                       | 47.5            | 52.3 | 500           | —                       |

### Material

PA 66, UL94V-0, natural (white)

### RoHS compliance

<For reference> As the color identification, the following alphabet shall be put in the underlined part. For availability, delivery and minimum order quantity, contact JST.

<Standard type>

ex. **XAP-02V-1-oo**

(blank)...natural (white)

K...black R...red E...blue Y...yellow L...lemon yellow

M...green O...orange N...brown H...gray P...purple

LE...light blue PK...pink FY...vivid yellow Z...ivory

<Retainer mountable type>

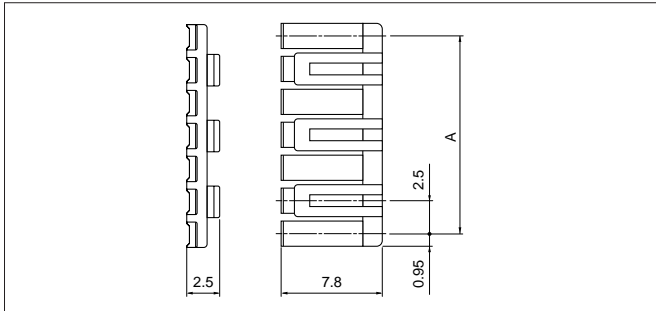
ex. **XARP-02V-oo**

(blank)...natural (white)

K...black R...red E...blue L...lemon yellow

# XA CONNECTOR

## Retainer



### Material

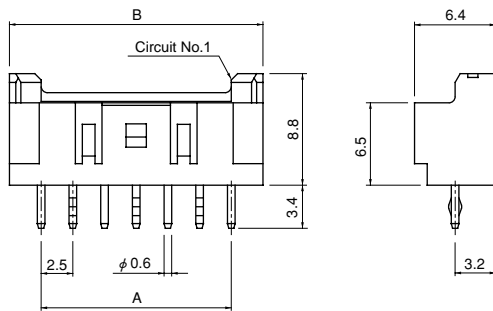
Glass-filled PA 66, UL94V-0, natural (ivory)

RoHS compliance

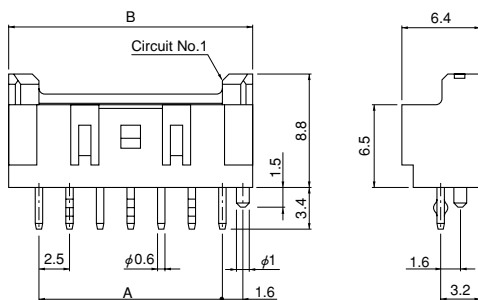
| No. of circuits | Model No.      | A    | Q'ty/bag |
|-----------------|----------------|------|----------|
| 2               | <b>XMS-02V</b> | 2.5  | 1,000    |
| 3               | <b>XMS-03V</b> | 5.0  | 1,000    |
| 4               | <b>XMS-04V</b> | 7.5  | 1,000    |
| 5               | <b>XMS-05V</b> | 10.0 | 1,000    |
| 6               | <b>XMS-06V</b> | 12.5 | 1,000    |
| 7               | <b>XMS-07V</b> | 15.0 | 1,000    |
| 8               | <b>XMS-08V</b> | 17.5 | 1,000    |
| 9               | <b>XMS-09V</b> | 20.0 | 1,000    |
| 10              | <b>XMS-10V</b> | 22.5 | 1,000    |
| 11              | <b>XMS-11V</b> | 25.0 | 1,000    |
| 12              | <b>XMS-12V</b> | 27.5 | 1,000    |
| 13              | <b>XMS-13V</b> | 30.0 | 1,000    |
| 14              | <b>XMS-14V</b> | 32.5 | 1,000    |
| 15              | <b>XMS-15V</b> | 35.0 | 1,000    |

## Through-hole type shrouded header

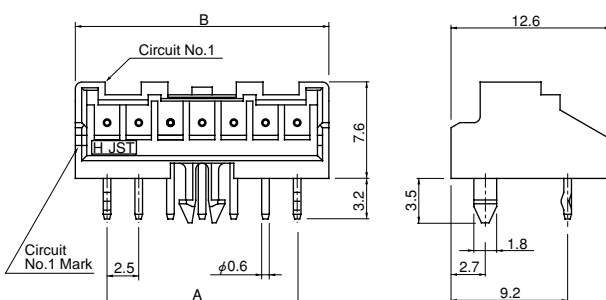
### Top entry type without a boss



### Top entry type with a boss



### Side entry type with a hook



| No. of circuits | Model No.          |                      | Dimensions (mm) |      | Q'ty/box |
|-----------------|--------------------|----------------------|-----------------|------|----------|
|                 | Top entry type     |                      | A               | B    |          |
|                 | Without a boss     | With a boss          |                 |      |          |
| 2               | <b>B02B-XASK-1</b> | <b>B02B-XASK-1-A</b> | 2.5             | 7.5  | 1,000    |
| 3               | <b>B03B-XASK-1</b> | <b>B03B-XASK-1-A</b> | 5.0             | 10.0 | 400      |
| 4               | <b>B04B-XASK-1</b> | <b>B04B-XASK-1-A</b> | 7.5             | 12.5 | 400      |
| 5               | <b>B05B-XASK-1</b> | <b>B05B-XASK-1-A</b> | 10.0            | 15.0 | 400      |
| 6               | <b>B06B-XASK-1</b> | <b>B06B-XASK-1-A</b> | 12.5            | 17.5 | 400      |
| 7               | <b>B07B-XASK-1</b> | <b>B07B-XASK-1-A</b> | 15.0            | 20.0 | 250      |
| 8               | <b>B08B-XASK-1</b> | <b>B08B-XASK-1-A</b> | 17.5            | 22.5 | 250      |
| 9               | <b>B09B-XASK-1</b> | <b>B09B-XASK-1-A</b> | 20.0            | 25.0 | 250      |
| 10              | <b>B10B-XASK-1</b> | <b>B10B-XASK-1-A</b> | 22.5            | 27.5 | 250      |
| 11              | <b>B11B-XASK-1</b> | <b>B11B-XASK-1-A</b> | 25.0            | 30.0 | 200      |
| 12              | <b>B12B-XASK-1</b> | <b>B12B-XASK-1-A</b> | 27.5            | 32.5 | 200      |
| 13              | <b>B13B-XASK-1</b> | <b>B13B-XASK-1-A</b> | 30.0            | 35.0 | 100      |
| 14              | <b>B14B-XASK-1</b> | <b>B14B-XASK-1-A</b> | 32.5            | 37.5 | 100      |
| 15              | <b>B15B-XASK-1</b> | <b>B15B-XASK-1-A</b> | 35.0            | 40.0 | 100      |
| 20              | <b>B20B-XASK-1</b> | <b>B20B-XASK-1-A</b> | 47.5            | 52.5 | 100      |

### Material and Finish

Pin: Copper alloy, copper-undercoated, tin-plated (reflow treatment)  
Wafer: Glass-filled PA 66, UL94V-0, natural (ivory)

RoHS compliance This product displays (LF)(SN) on a label.

Note: Contact JST for gold-plated products.

| No. of circuits | Model No.                   | Dimensions (mm) |      |       | Q'ty/box |
|-----------------|-----------------------------|-----------------|------|-------|----------|
|                 | Side entry type with a hook | A               | B    | D     |          |
| 2               | <b>S02B-XASS-1</b>          | 2.5             | 7.5  | 1.25  | 250      |
| 3               | <b>S03B-XASK-1</b>          | 5.0             | 10.0 | 2.50  | 250      |
| 4               | <b>S04B-XASK-1</b>          | 7.5             | 12.5 | 3.75  | 200      |
| 5               | <b>S05B-XASK-1</b>          | 10.0            | 15.0 | 5.00  | 200      |
| 6               | <b>S06B-XASK-1</b>          | 12.5            | 17.5 | 6.25  | 200      |
| 7               | <b>S07B-XASK-1</b>          | 15.0            | 20.0 | 7.50  | 200      |
| 8               | <b>S08B-XASK-1</b>          | 17.5            | 22.5 | 8.75  | 100      |
| 9               | <b>S09B-XASK-1</b>          | 20.0            | 25.0 | 10.00 | 100      |
| 10              | <b>S10B-XASK-1</b>          | 22.5            | 27.5 | 11.25 | 100      |
| 11              | <b>S11B-XASK-1</b>          | 25.0            | 30.0 | 12.50 | 100      |
| 12              | <b>S12B-XASK-1</b>          | 27.5            | 32.5 | 13.75 | 100      |
| 13              | <b>S13B-XASK-1</b>          | 30.0            | 35.0 | 15.00 | 100      |
| 14              | <b>S14B-XASK-1</b>          | 32.5            | 37.5 | 16.25 | 100      |

### Material and Finish

Pin: Copper alloy, copper-undercoated, tin-plated (reflow treatment)  
Wafer: Glass-filled PA 66, UL94V-0, natural (ivory)

RoHS compliance This product displays (LF)(SN) on a label.

Note: 1. Dimension D... See PC board layout.  
2. Contact JST for gold-plated products.

<For reference> As the color identification, the following alphabet shall be put in the underlined part.  
For availability, delivery and minimum order quantity, contact JST.

ex. **S02B-XASK-1**

S...natural (ivory)

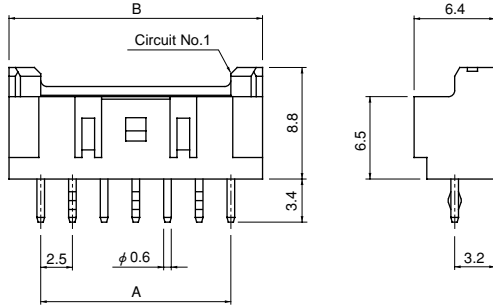
K...black R...red E...blue M...green Y...yellow

# XA CONNECTOR

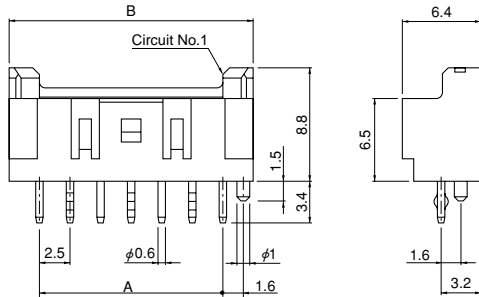
## Through-hole type shrouded header

### N type

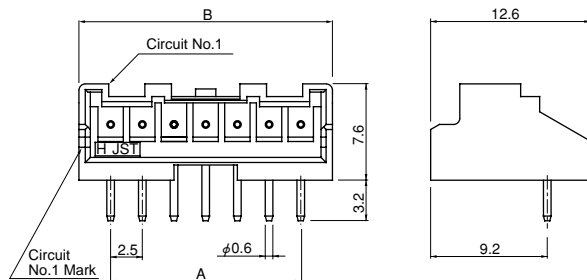
#### Top entry type without a boss



#### Top entry type with a boss



#### Side entry type without a hook



| No. of circuits | Model No.           |                       | Dimensions (mm) |      | Q'ty/box |
|-----------------|---------------------|-----------------------|-----------------|------|----------|
|                 | Top entry type      |                       | A               | B    |          |
|                 | Without a boss      | With a boss           |                 |      |          |
| 2               | <b>B02B-XASK-1N</b> | <b>B02B-XASK-1N-A</b> | 2.5             | 7.5  | 1,000    |
| 3               | <b>B03B-XASK-1N</b> | <b>B03B-XASK-1N-A</b> | 5.0             | 10.0 | 400      |
| 4               | <b>B04B-XASK-1N</b> | <b>B04B-XASK-1N-A</b> | 7.5             | 12.5 | 400      |
| 5               | <b>B05B-XASK-1N</b> | <b>B05B-XASK-1N-A</b> | 10.0            | 15.0 | 400      |
| 6               | <b>B06B-XASK-1N</b> | <b>B06B-XASK-1N-A</b> | 12.5            | 17.5 | 400      |
| 7               | <b>B07B-XASK-1N</b> | <b>B07B-XASK-1N-A</b> | 15.0            | 20.0 | 250      |
| 8               | <b>B08B-XASK-1N</b> | <b>B08B-XASK-1N-A</b> | 17.5            | 22.5 | 250      |
| 9               | <b>B09B-XASK-1N</b> | <b>B09B-XASK-1N-A</b> | 20.0            | 25.0 | 250      |
| 10              | <b>B10B-XASK-1N</b> | <b>B10B-XASK-1N-A</b> | 22.5            | 27.5 | 250      |
| 11              | <b>B11B-XASK-1N</b> | <b>B11B-XASK-1N-A</b> | 25.0            | 30.0 | 200      |
| 12              | <b>B12B-XASK-1N</b> | <b>B12B-XASK-1N-A</b> | 27.5            | 32.5 | 200      |
| 13              | <b>B13B-XASK-1N</b> | <b>B13B-XASK-1N-A</b> | 30.0            | 35.0 | 100      |
| 14              | <b>B14B-XASK-1N</b> | <b>B14B-XASK-1N-A</b> | 32.5            | 37.5 | 100      |
| 15              | <b>B15B-XASK-1N</b> | <b>B15B-XASK-1N-A</b> | 35.0            | 40.0 | 100      |
| 18              | <b>B18B-XASK-1N</b> | —                     | 42.5            | 47.5 | 100      |

#### Material and Finish

Pin: Copper alloy, copper-undercoated, tin-plated (reflow treatment)  
Wafer: Glass-filled PA 66, UL94V-0, natural (white)

**RoHS compliance** This product displays (LF)(SN) on a label.

<For reference> As the color identification, the following alphabet shall be put in the underlined part.  
For availability, delivery and minimum order quantity, contact JST.

ex. **B02B-XASK-1N-A**

S...natural (white)

K...black R...red E...blue Y...yellow L...lemon yellow

M...green O...orange N...brown H...gray P...purple

LE...light blue PK...pink FY...vivid yellow

| No. of circuits | Model No.                      | Dimensions (mm) |      | Q'ty/box |
|-----------------|--------------------------------|-----------------|------|----------|
|                 | Side entry type without a hook | A               | B    |          |
| 2               | <b>S02B-XASS-1N-BN</b>         | 2.5             | 7.5  | 250      |
| 3               | <b>S03B-XASS-1N-BN</b>         | 5.0             | 10.0 | 250      |
| 4               | <b>S04B-XASS-1N-BN</b>         | 7.5             | 12.5 | 200      |
| 5               | <b>S05B-XASS-1N-BN</b>         | 10.0            | 15.0 | 200      |
| 6               | <b>S06B-XASS-1N-BN</b>         | 12.5            | 17.5 | 200      |
| 7               | <b>S07B-XASS-1N-BN</b>         | 15.0            | 20.0 | 200      |
| 8               | <b>S08B-XASS-1N-BN</b>         | 17.5            | 22.5 | 100      |
| 9               | <b>S09B-XASS-1N-BN</b>         | 20.0            | 25.0 | 100      |
| 10              | <b>S10B-XASS-1N-BN</b>         | 22.5            | 27.5 | 100      |
| 11              | <b>S11B-XASS-1N-BN</b>         | 25.0            | 30.0 | 100      |
| 12              | <b>S12B-XASS-1N-BN</b>         | 27.5            | 32.5 | 100      |
| 13              | <b>S13B-XASS-1N-BN</b>         | 30.0            | 35.0 | 100      |
| 14              | <b>S14B-XASS-1N-BN</b>         | 32.5            | 37.5 | 100      |

#### Material and Finish

Pin: Copper alloy, copper-undercoated, tin-plated (reflow treatment)  
Wafer: Glass-filled PA 66, UL94V-0, natural (white)

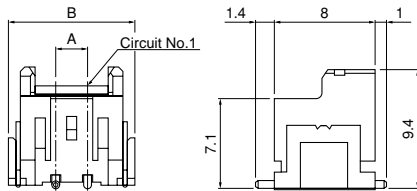
**RoHS compliance** This product displays (LF)(SN) on a label.

Note: 1. As for side entry type, we recommend to use a product with a boss (hook) because stress is applied directly to fillet part when handling the wire. When using the side entry type product without a boss (hook), please handle the wire with care.

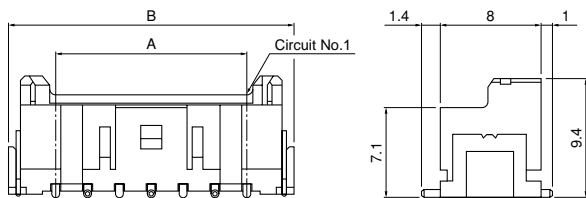
# XA CONNECTOR

## SMT type shrouded header

<2 circuits>



<3 to 9, 12, 13, 15 circuits>



| No. of circuits | Model No.            | Dimensions (mm) |      | Q'ty/reel |
|-----------------|----------------------|-----------------|------|-----------|
|                 |                      | A               | B    |           |
| 2               | <b>BM02B-XASS-TF</b> | 2.5             | 10.0 | 500       |
| 3               | <b>BM03B-XASS-TF</b> | 5.0             | 12.5 | 500       |
| 4               | <b>BM04B-XASS-TF</b> | 7.5             | 15.0 | 500       |
| 5               | <b>BM05B-XASS-TF</b> | 10.0            | 17.5 | 500       |
| 6               | <b>BM06B-XASS-TF</b> | 12.5            | 20.0 | 500       |
| 7               | <b>BM07B-XASS-TF</b> | 15.0            | 22.5 | 500       |
| 8               | <b>BM08B-XASS-TF</b> | 17.5            | 25.0 | 500       |
| 9               | <b>BM09B-XASS-TF</b> | 20.0            | 27.5 | 500       |
| 12              | <b>BM12B-XASS-TF</b> | 27.5            | 35.0 | 500       |
| 13              | <b>BM13B-XASS-TF</b> | 30.0            | 37.5 | 500       |
| 15              | <b>BM15B-XASS-TF</b> | 35.0            | 42.5 | 500       |

### Material and Finish

Pin: Copper alloy, copper-undercoated, tin-plated (reflow treatment)  
 Wafer: PA, UL94V-0, natural  
 Solder tab: Brass, copper-undercoated, tin-plated (reflow treatment)

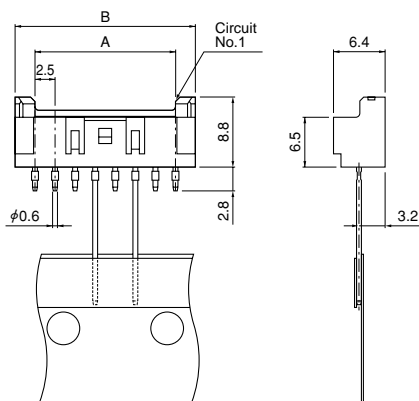
**RoHS compliance** This product displays (LF)(SN) on a label.

<For reference> As the color identification, the following alphabet shall be put in the underlined part. For availability, delivery and minimum order quantity, contact JST.

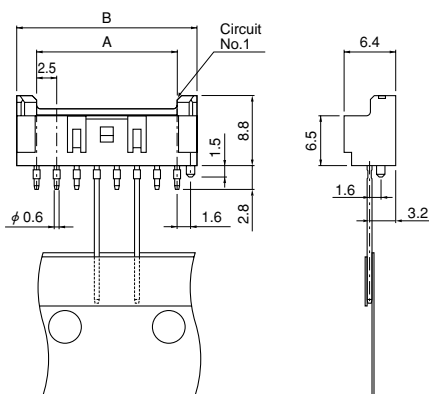
ex. **BM02B-XASS-TF**  
 S...natural  
 K...black R...red E...blue

## Through-hole type shrouded header on radial-tape

Top entry type without a boss



Top entry type with a boss



| No. of circuits | Model No.                     |                            | Dimensions (mm) |      | Q'ty/box |
|-----------------|-------------------------------|----------------------------|-----------------|------|----------|
|                 | Top entry type without a boss | Top entry type with a boss | A               | B    |          |
| 2               | <b>B02B-XASS-1-T</b>          | —                          | 2.5             | 7.5  | 1,000    |
| 3               | <b>B03B-XASS-1-T</b>          | <b>B03B-XASS-1-A-T</b>     | 5.0             | 10.0 | 1,000    |
| 4               | <b>B04B-XASS-1-T</b>          | <b>B04B-XASS-1-A-T</b>     | 7.5             | 12.5 | 500      |
| 5               | <b>B05B-XASS-1-T</b>          | <b>B05B-XASS-1-A-T</b>     | 10.0            | 15.0 | 500      |
| 6               | <b>B06B-XASS-1-T</b>          | <b>B06B-XASS-1-A-T</b>     | 12.5            | 17.5 | 500      |
| 7               | <b>B07B-XASS-1-T</b>          | <b>B07B-XASS-1-A-T</b>     | 15.0            | 20.0 | 500      |
| 8               | <b>B08B-XASS-1-T</b>          | <b>B08B-XASS-1-A-T</b>     | 17.5            | 22.5 | 500      |

### Material and Finish

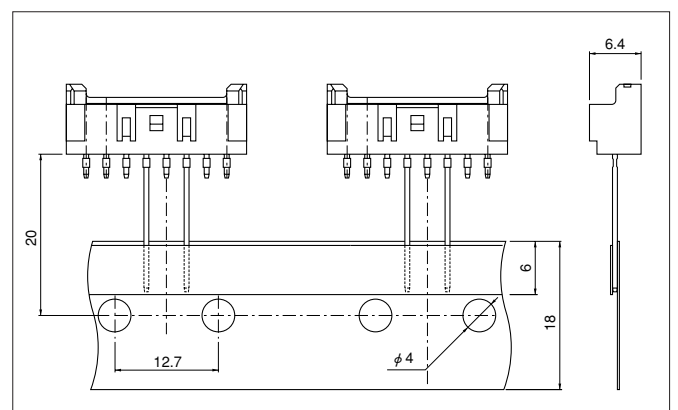
Pin: Copper alloy, copper-undercoated, tin-plated (reflow treatment)  
 Wafer: Glass-filled PA 66, UL94V-0, natural (ivory)

**RoHS compliance** This product displays (LF)(SN) on a label.

<For reference> As the color identification, the following alphabet shall be put in the underlined part. For availability, delivery and minimum order quantity, contact JST.

ex. **B03B-XASS-1-A-T**  
 S...natural (ivory)  
 R...red E...blue M...green

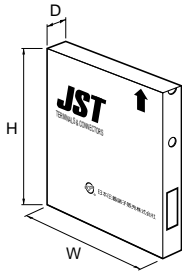
## Taping specifications



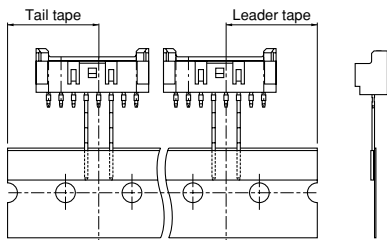
Note: Conforms to JIC C 0806 of "Tape packaging of components with unidirectional leads on continuous tapes".

# XA CONNECTOR

## Packaging specifications



Distance between the end of the tape and the first connector's center line (either end)



|   |                                       |                |
|---|---------------------------------------|----------------|
| Package type  | Flat pack (zigzag folded)             |                |
| Distance between folds  | 24 indexing holes per fold (304.8 mm) |                |
| Box size  | 316(W)×45(D)×330(H) mm                |                |
| Distance between the end of the tape and the first connector's center line (either end) | 19.05 mm                              |                |
| Quantity  | 2, 3 circuits                         | 1,000 pcs./box |
|   | 4~8 circuits                          | 500 pcs./box   |

*Note: Products of different packaging specifications are also available.  
Contact JST for details.*