

Coin Cell Holder Series

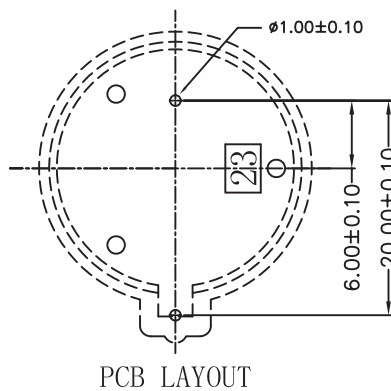
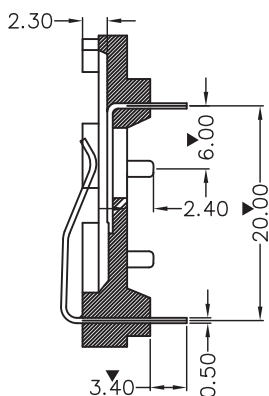
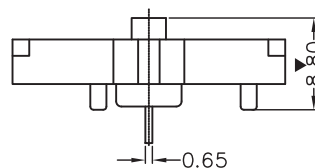
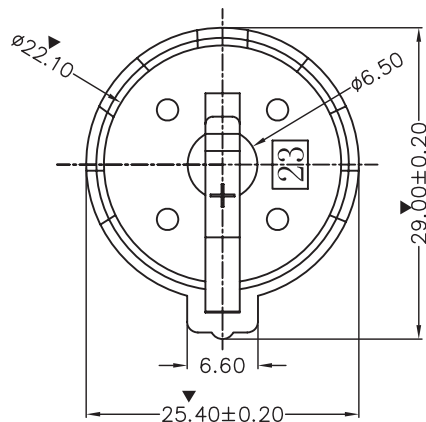
KLS5-CR2325-01 Battery holder for Cr2325

Material:

Housing: Thermoplastic Glass Fibre UL94V-0
Contact: Brass (Surface Plating: Sn 100u")

Electric:

Contact Resistance: 30 Milliohms max.
Insulation Resistance: 1000 Mega Ohms min.
Dielectric Voltage: 750V AC One Sec Level
Operating Temperature: -55°C~+105°C



ORDER INFORMATION

Product NO.: L-KLS5-CR2325-01

