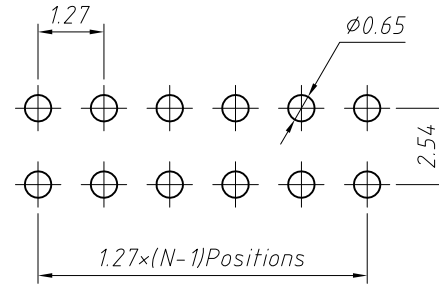
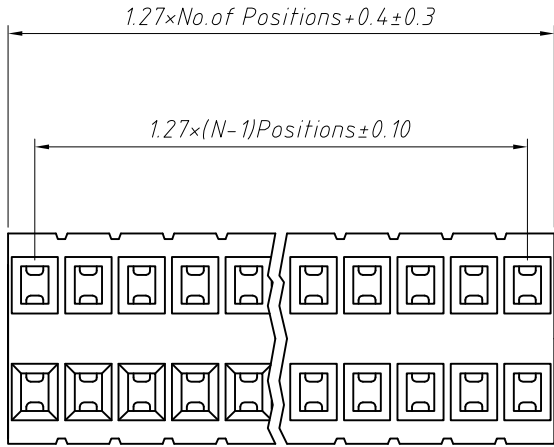


1
RoHS Compliance

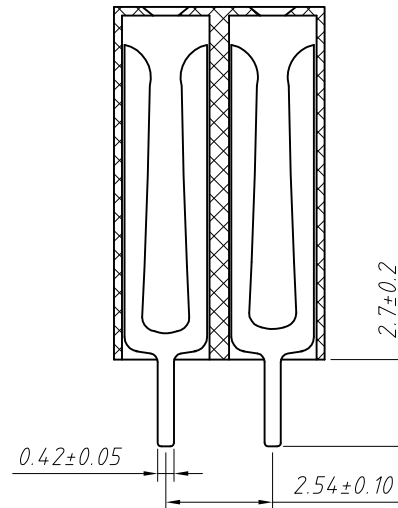
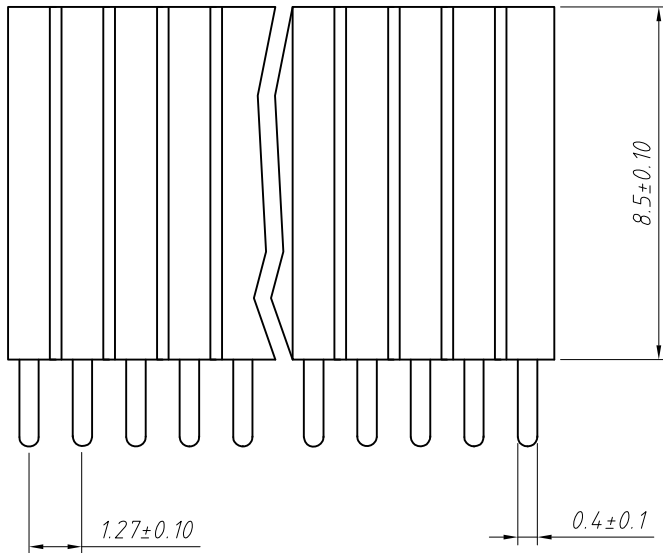


Recommended P.C.B Layout (Top Side)
(PCB BOARD TOLERANCE ±0.05)

Material:
Standard: PA6T/LCP
Contact: Brass
Plating: Au or Sn Over 50nm Ni
Insulator: Polyester, UL94V-0

Electrical Characteristics:
Rated Current: 1.0AMP
Contact Resistance: 20mΩ Max
Withstand Voltage: 500V AC/DC
Insulator Resistance: 1000MΩ Min

Mechanical
Operating Temperature: -40°C ~ +105°C
Max. Processing Temp: 230°C for 30-60 seconds (260°C for 10 seconds)



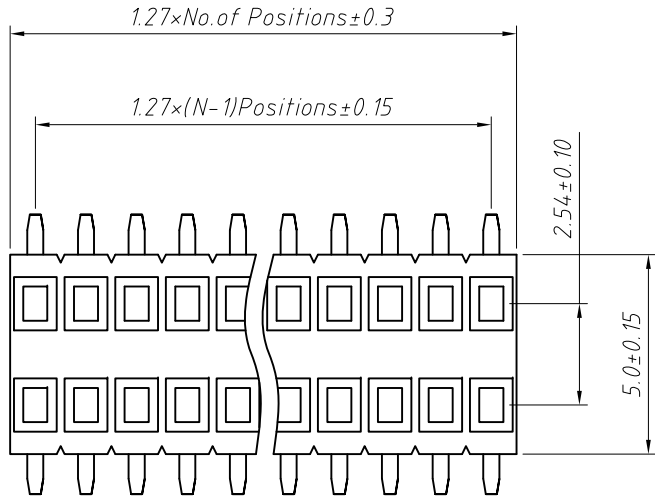
Order Information:
L-KLS1-208D-8.5-2-XX-S-B
L: RoHS
Female Header
Series 208D: 1.27mm
Plastics Height: 8.5mm
Per Row: Double layer
Pin: No. of Pins (2x40)
Type: Straight Pin
Material: B=PA6T C=LCP

ANGLE TOLERANCE	PROJECTION	Description:	1.27x2.54x8.5mm Female Header Double layer, Straight Pin, 2xN Pin
±3°			
GENERAL TOLERANCE	UNITS	mm	KLS P/N: L-KLS1-208D-8.5-2-XX-S-B
x.x ±0.30	SHEET SIZE	A4	
x.xx ±0.20	Draw:	Daniel	2018-07-10
x.xxx ±0.10	Check:	Daniel	2018-07-10

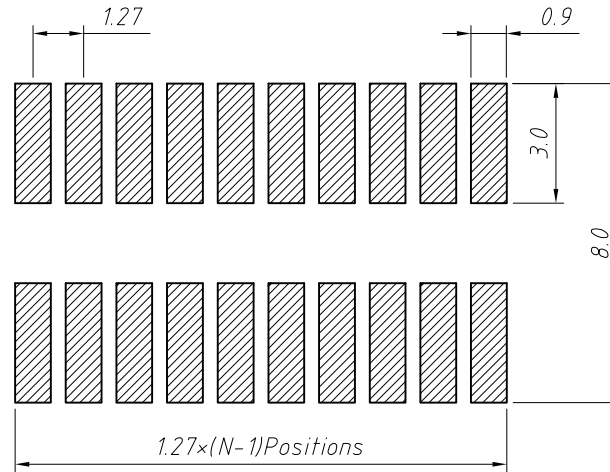


NingBo KLS ELECTRONIC CO.,L TD.

1 RoHS Compliance



Recommended P.C.B Layout (Top Side)
(PCB BOARD TOLERANCE ± 0.05)



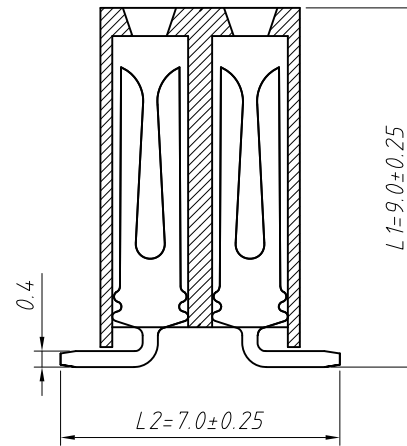
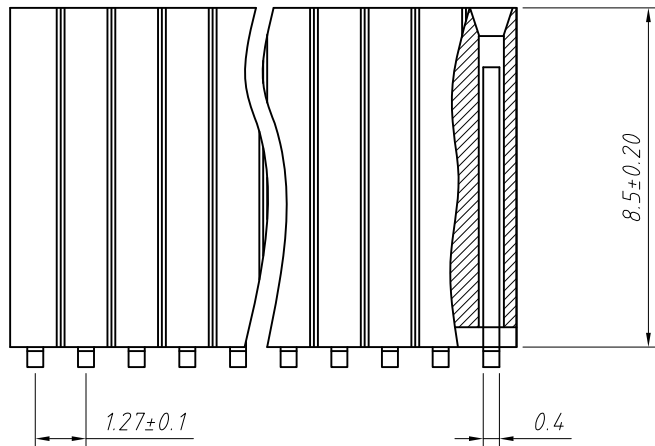
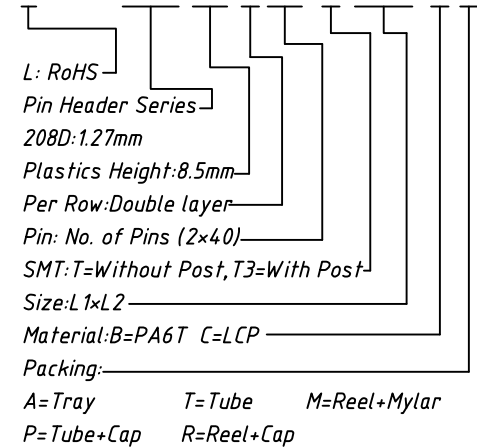
Material:
Standard: PA6T/LCP
Contact: Brass
Contact plating: Au or Sn over 50u"Ni
Nickel Insulator: Polyester, UL 94 V-0

Electrical Characteristics:
Rated Current: 1.0AMP
Contact Resistance: 20mΩ Max
Withstand Voltage: 500V AC/DC
Insulator Resistance: 1000MΩ Min

Mechanical
Operating Temperature: -40°C ~ +105°C
Max. Processing Temp: 230°C for 30-60 seconds (260°C for 10 seconds)

Order Information:

L-KLS1-208D-8.5-2-XX-T-L1xL2-B-R



Dimension antitheses list (mm)			
ITEM	L1	L2	Plastic Height
Standard	9.00	7.00	8.50
Nonstandard	---	---	---

ANGLE TOLERANCE	PROJECTION	Description:	1.27mm Female Header Double layer , SMT Pin, 2xN Pin	
±3°				
GENERAL TOLERANCE	UNITS	mm	KLS P/N:	L-KLS1-208D-8.5-2-XX-T-L1xL2-B-R
x.x ±0.30	SHEET SIZE	A4		
x.xx ±0.20	Draw:	Daniel	2018-07-10	NingBo KLS ELECTRONIC CO.,L TD.
x.xxx ±0.10	Check:	Daniel	2018-07-10	