

# Connector

## AC INLET Series

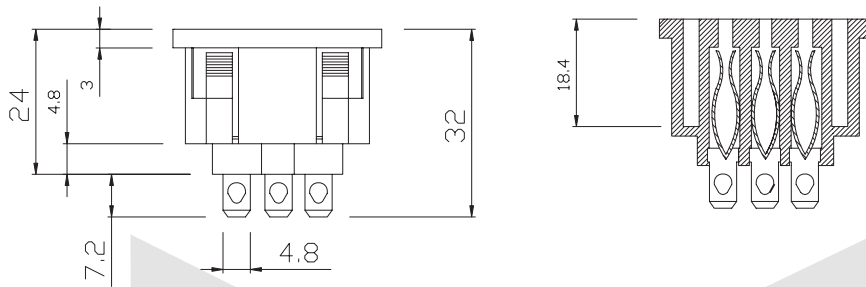
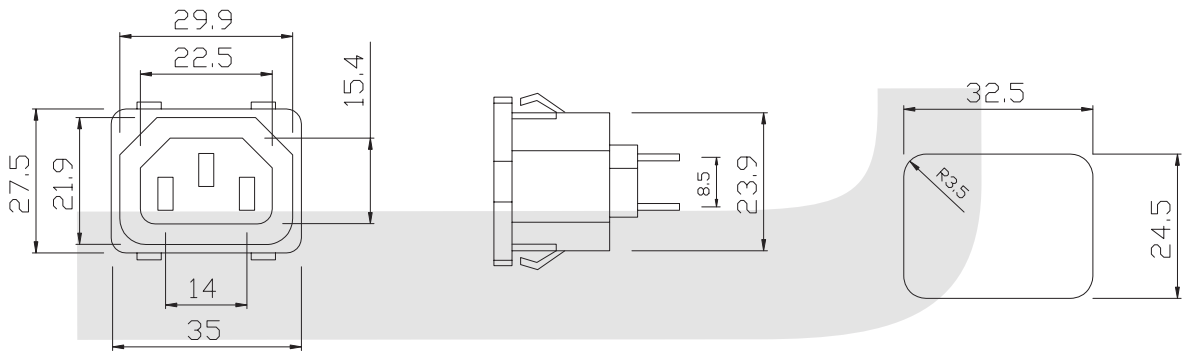
### KLS1-AS-302-2 IEC AC INLET Series

#### SPECIFICATION:

Current Rating: 250V AC 10A  
Contact Resistance: 30mΩ Max.  
Insulator Resistance: 100MΩ Min. at DC 500V  
Dielectric withstand Strength test: 2000VAC / 1 minute  
between each terminals  
Insertion and Removal force: 5 ~ 40N  
Operating Temperature: -45°C~+105°C  
Electrical Life: 5000 cycles Min.

#### Material:

Insulator: PBT UL 94V-0 or PA66/PC UL 94V-0  
Terminal: Brass ,plating Ni.



## ORDER INFORMATION

Product NO.: KLS1-AS-302-2

Pos. NO.

AC Inlet Type