

## BNC Connector Series

### KLS1-BNC003 BNC Connector Series

#### Electrical Specifications

Impedance: 50  $\Omega$  nominal  
 Frequency Range: 0-4 GHz with low reflection  
 Voltage Rating: 500 volts peak  
 Dielectric Withstanding Voltage: 1,500 volts rms  
 VSWR :Straight connectors: 1.3 max 0-4 GHz  
 Right angle connectors: 1.35 max 0-4 GHz

#### Contact Resistance

Center contact: 1.5 m $\Omega$ ;  
 Outer contact: 0.2 m $\Omega$

Insulation Resistance: 5,000 M $\Omega$

Braid to Body: 0.1 milliohm

RF Leakage: -55 dB min at 3 GHz

Insertion Loss: 0.2 dB min at 3 GHz

Temperature Range: - 65°C to + 165°C

#### Material

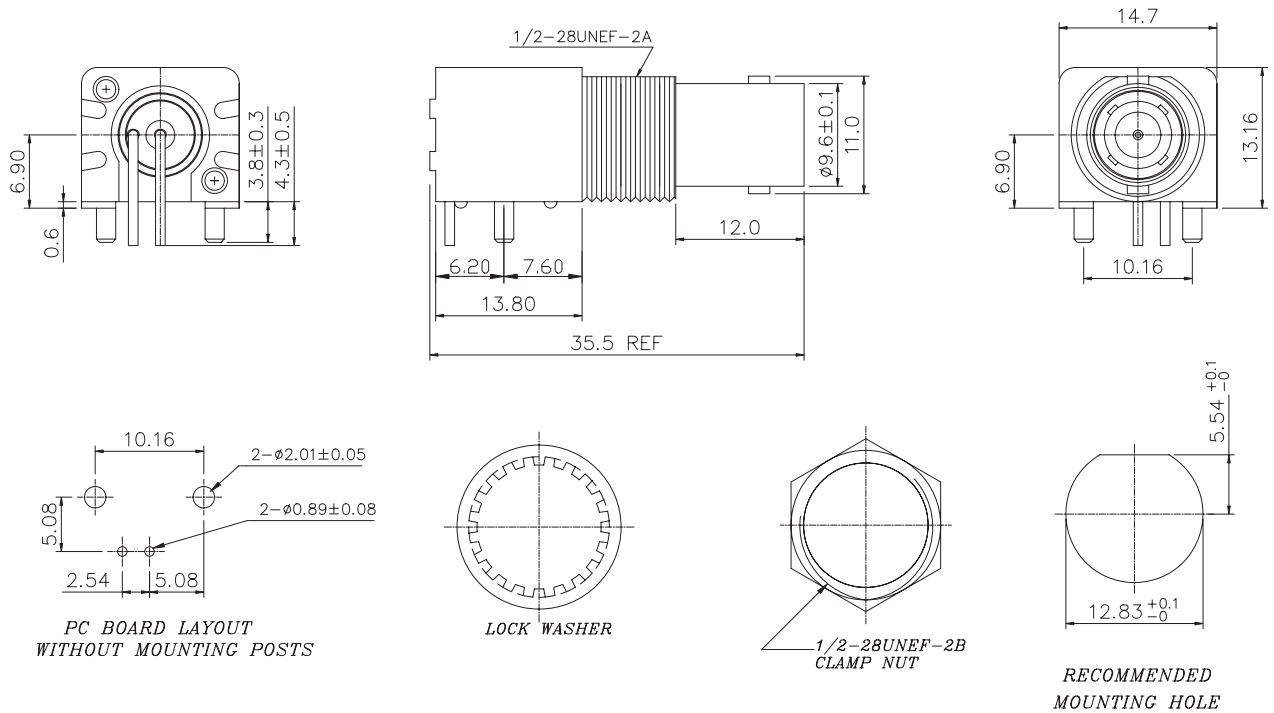
Male Contact: Brass

Female Contact: Beryllium copper or phosphorous bronze,  
 silver or gold-plated

Other Metal Parts: Brass, nickel finish

Insulator: TFE

Crimp Ferrule: Copper/brass



## ORDER INFORMATION

Product NO.: **KLS1-BNC003**

Pos. NO. \_\_\_\_\_  
 BNC Connector Type \_\_\_\_\_

