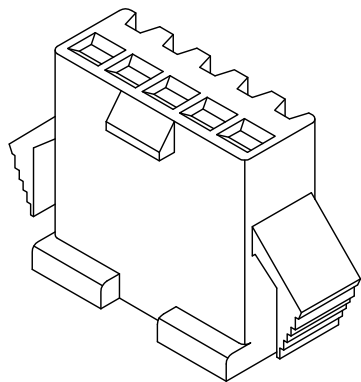
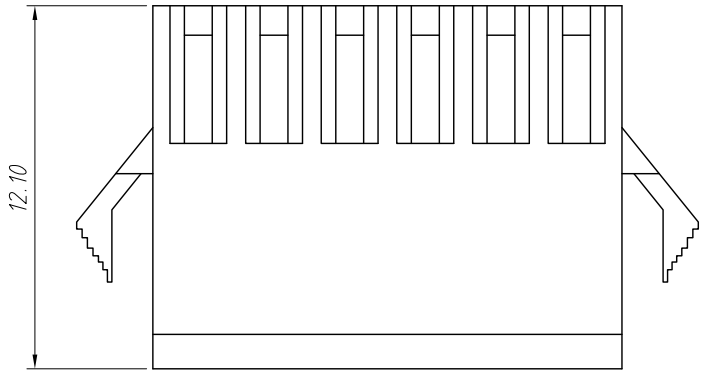
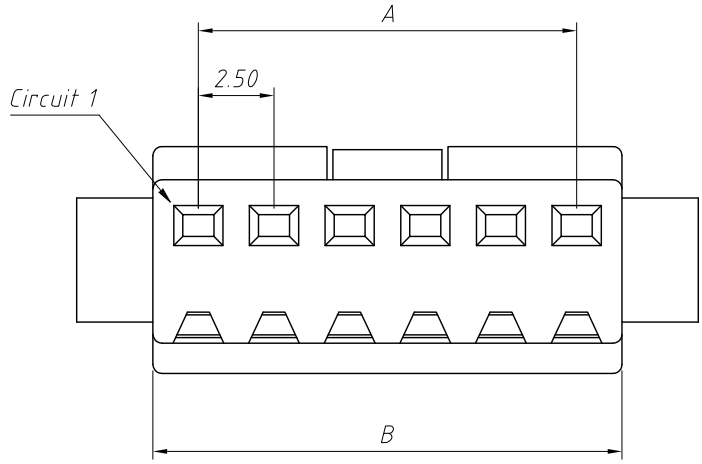


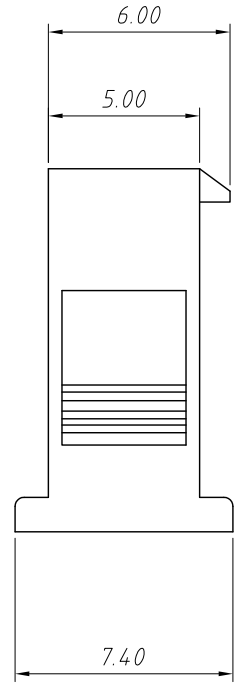
1
RoHS Compliance



Material:
Housing:PA66,UL94V-2

Electrical Characteristics:
Rated Current:3.0AMP
Voltage rating:250V AC,DC
Temperature range:-25°C ~ + 85°C
Insulator Resistance:500MΩ Min
Withstanding Voltage:1500V AC/minute
Contact Resistance:10mΩ Max

Pin	Dimensions(mm)	
	A	B
02	2.50	5.50
03	5.00	8.00
04	7.50	10.50
05	10.00	13.00
06	12.50	15.50
07	15.00	18.00
08	17.50	20.50
09	20.00	23.00
10	22.50	25.50
11	25.00	28.00
12	27.50	30.50

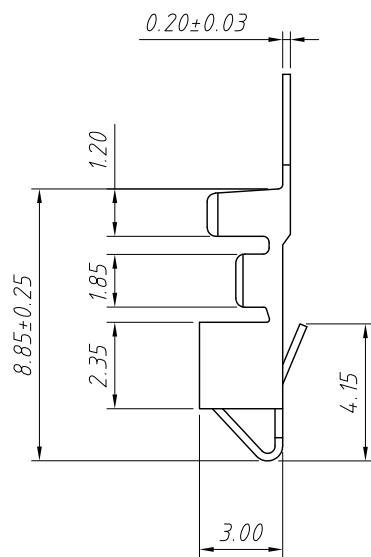
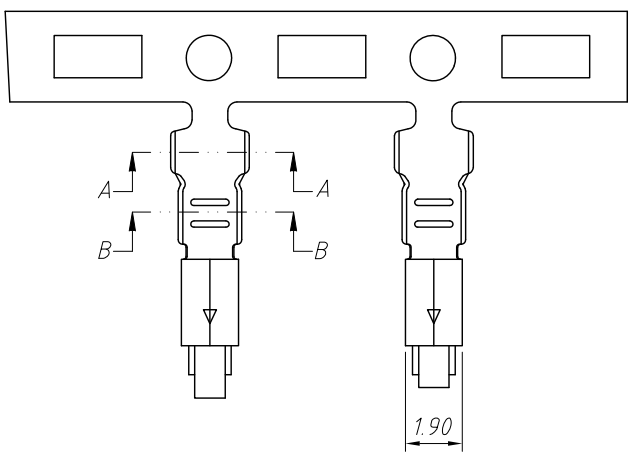


Order Information:
L-KLS1-XM1-2.50-XX-FH

L: RoHS
Pitch:2.50mm
XX-No. of 02~12 pins
Type:
MH-Male Hosing
FH-Female Hosing
MT-Male Terminal
FT-Female Terminal

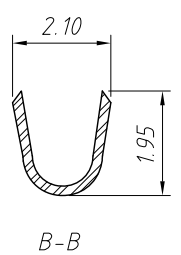
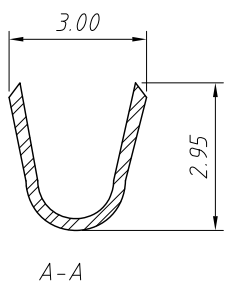
ANGLE TOLERANCE	PROJECTION	Description:	2.50mm Pitch SM Type Wire To Wire Connector
±3°			
GENERAL TOLERANCE	UNITS	mm	KLS P/N: L-KLS1-XM1-2.50-XX-FH
x.x ±0.30	SHEET SIZE	A4	NingBo KLS ELECTRONIC CO.,L TD.
x.xx ±0.20	Draw:	Daniel 2021-01-11	
x.xxx ±0.10	Check:	Daniel 2021-01-11	

1
RoHS Compliance



Material:
 Terminal: Phosphor Bronze
 Plating: Tin plated
 Applicable wires: AWG #22 ~ # 28
 Insulation O.D: 1.7mm
 Qty/reel: 5000 pcs

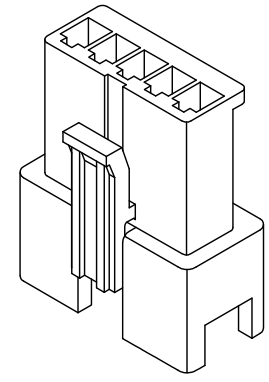
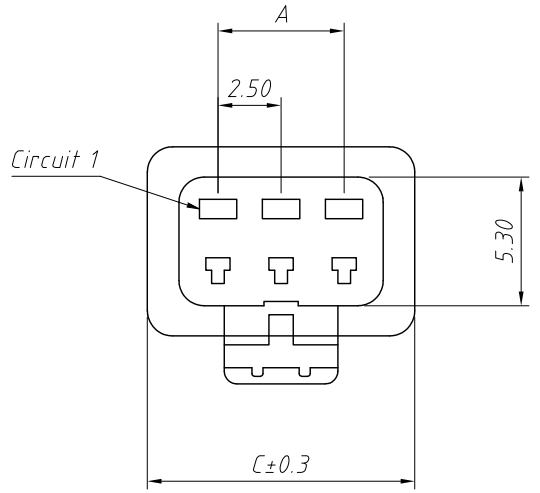
Electrical Characteristics:
 Rated Current: 3.0AMP
 Voltage rating: 250V AC, DC
 Temperature range: -25°C ~ + 85°C
 Insulator Resistance: 500MΩ Min
 Withstanding Voltage: 1500V AC/minute
 Contact Resistance: 10mΩ Max



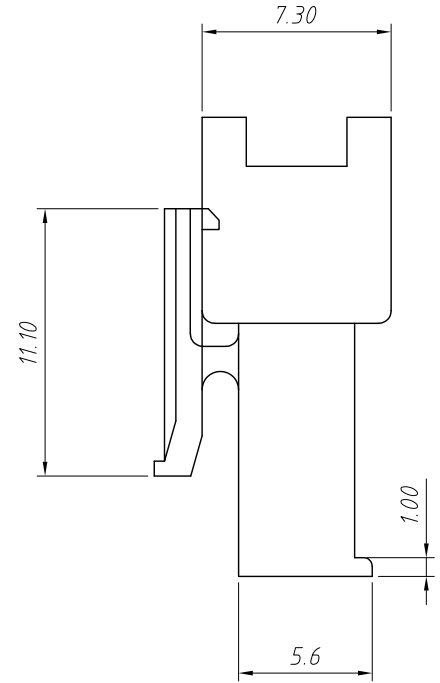
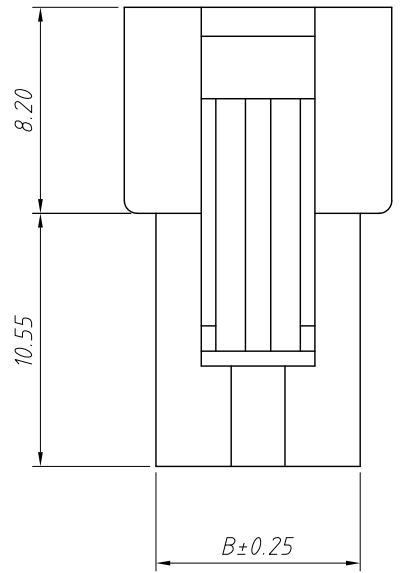
Order Information:
 L-KLS1-XM1-2.50-FT
 L: RoHS
 Pitch: 2.50mm
 Type: _____
 MH-Male Hosing
 FH-Female Hosing
 MT-Male Terminal
 FT-Female Terminal

ANGLE TOLERANCE	PROJECTION	Description:	2.50mm Pitch SM Type Wire To Wire Connector
±3°			
GENERAL TOLERANCE	UNITS	mm	KLS P/N: L-KLS1-XM1-2.50-FT
x.x ±0.30	SHEET SIZE	A4	NingBo KLS ELECTRONIC CO.,L TD.
x.xx ±0.20	Draw:	Daniel 2021-01-11	
x.xxx ±0.10	Check:	Daniel 2021-01-11	

1
RoHS Compliance



Pin	Dimensions(mm)		
	A	B	C
02	2.50	5.60	8.00
03	5.00	8.10	10.50
04	7.50	10.60	13.00
05	10.00	13.10	15.50
06	12.50	15.60	18.00
07	15.00	18.10	20.50
08	17.50	20.60	23.00
09	20.00	23.10	25.50
10	22.50	25.60	28.00
11	25.00	28.10	30.50
12	27.50	30.60	33.00



Material:
Housing:PA66,UL 94V-2

Electrical Characteristics:
Rated Current:3.0AMP
Voltage rating:250V AC,DC
Temperature range:-25°C ~ + 85°C
Insulator Resistance:500MΩ Min
Withstanding Voltage:1500V AC/minute
Contact Resistance:10mΩ Max

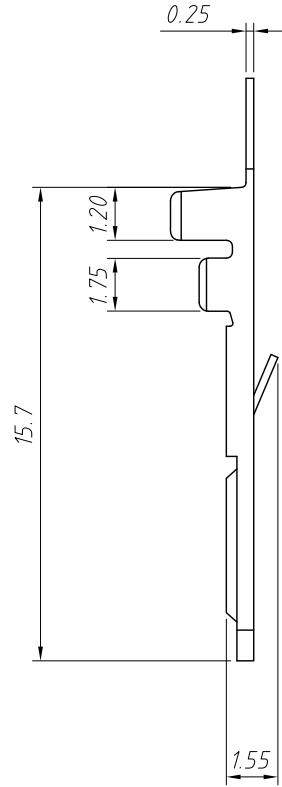
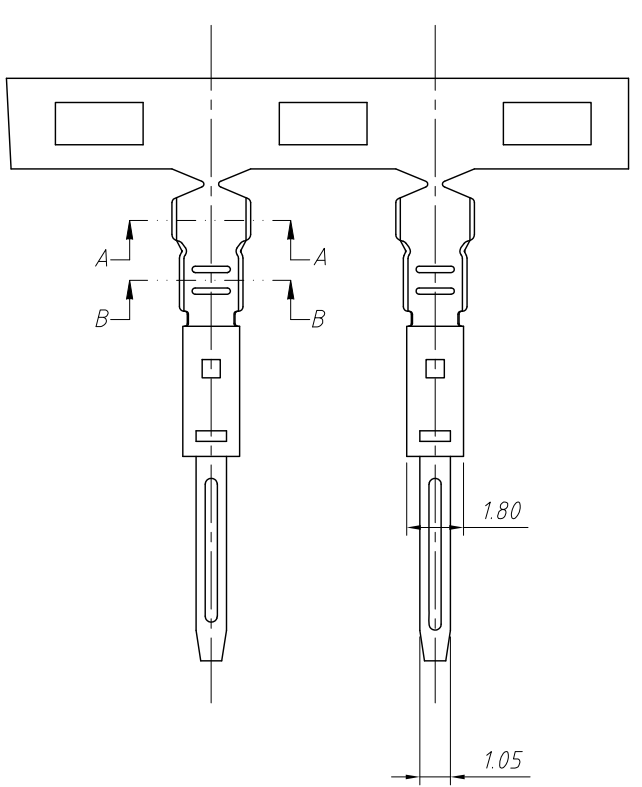
Order Information:
L-KLS1-XM1-2.50-XX-MH

L: RoHS
Pitch:2.50mm
XX-No.of 02 ~ 12 pins
Type:
MH-Male Hosing
FH-Female Hosing
MT-Male Terminal
FT-Female Terminal

ANGLE TOLERANCE	PROJECTION	Description:	2.50mm Pitch SM Type Wire To Wire Connector
±3°			
GENERAL TOLERANCE	UNITS	mm	KLS P/N:
x.x ±0.30	SHEET SIZE	A4	L-KLS1-XM1-2.50-XX-MH
x.xx ±0.20	Draw:	Daniel	2021-01-11
x.xxx ±0.10	Check:	Daniel	2021-01-11



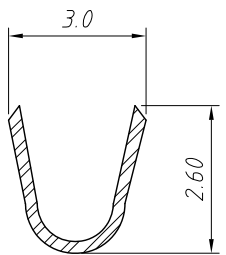
1
RoHS Compliance



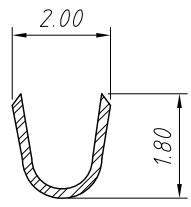
Material:
 Terminal: Phosphor Bronze
 Plating: Tin plated
 Applicable wires: AWG #22 ~ # 28
 Insulation O.D: 1.7mm
 Qty/reel: 8000 pcs

Electrical Characteristics:
 Rated Current: 3.0AMP
 Voltage rating: 250V AC,DC
 Temperature range: -25°C ~ + 85°C
 Insulator Resistance: 500MΩ Min
 Withstanding Voltage: 1500V AC/minute
 Contact Resistance: 10mΩ Max

Order Information:
 L-KLS1-XM1-2.50-MT
 L: RoHS
 Pitch: 2.50mm
 Type:
 MH-Male Hosing
 FH-Female Hosing
 MT-Male Terminal
 FT-Female Terminal



A-A



B-B

ANGLE TOLERANCE	PROJECTION	Description:	2.50mm Pitch SM Type Wire To Wire Connector
±3°			
GENERAL TOLERANCE	UNITS	mm	KLS P/N: L-KLS1-XM1-2.50-MT
x.x ±0.30	SHEET SIZE	A4	NingBo KLS ELECTRONIC CO.,L TD.
x.xx ±0.20	Draw:	Daniel 2021-01-11	
x.xxx ±0.10	Check:	Daniel 2021-01-11	