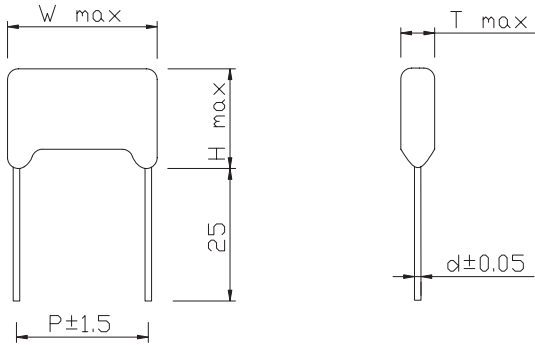


## Film Capacitors Series

### Metallized Polyester Film Capacitor Type: MEF-CL21



X

#### Construction

Dielectric	Polyester Film
Electrodes	Aluminum Metalization
Winding	Non-inductive type
Leads	Tinned Wire
Outer coating	Flame retarding epoxy resin

#### Features & APPLICATION

Wide capacitance range, small size and light weight  
 Long life due to self-healing effect  
 Flame retardation epoxy resin powder coating provides safety  
 Suitable for blocking, by-pass and coupling of DC and signals to VHF range  
 Widely used in filter and low pulse circuits

#### Specifications

Reference Standard:	GB 7332 (IEC60384-2)
Rated Voltage:	100VDC-250VDC-400VDC-630VDC
Rated temperature:	+85°C
Operating Temperature Range:	-55°C~+105°C
	Derating ratio of rated voltage +85°C~+105°C: 1.25% per °C for VR (DC)
Capacitance Range:	0.01μF~2.2μF
Capacitance Tolerance :	±5%(J);±10%(K)
Dissipation Factor:	1% max (25°C , 1KHz)
Insulation Resistance:	R>30 000MΩ CR <0.33uF 20 +5°C, 100V, 1min R>10 000MΩ 1.0uF≥ CR≥ 0.33uF R>1 000MΩ CR> 1.0uF
Voltage Proof:	1.5U <sub>R</sub> (5s)

## ORDER INFORMATION

Product No.:	KLS10 - CL21 - XXX X XX - XX
Pos.No.	Product Name: CAPACITANCE IN 3DIGITS Metallized Polyester Film Capacitor(MEF) 332=0.0033uF 104= 0.1uF 474= 0.47uF 105= 1uF
	TOL. K= ± 10% J=± 5%
	Rated Voltage 100=100VDC 250=250VDC 400=400VDC
	Pitch P5=5mm P7.5=7.5mm



Metallized Polyester Film Capacitor Type: MEF-CL21

Dimensions(mm)

R. V.	100VDC					250VDC				
Size	W	H	T	P	d	W	H	T	P	d
Cap.	Max	Max	Max	1	0.05	Max	Max	Max	1	0.05
0.01										
0.015										
0.022						11	10	6	7.5	0.6
0.033						11	10	6	7.5	0.6
0.047	11	10	6	7.5	0.6	11	10	6	7.5	0.6
0.068	11	10	6	7.5	0.6	11	10	7	7.5	0.6
0.1	11	10	6	7.5	0.6	13	10	7	10	0.6
0.15	13	9	6	10	0.6	19	11	6	15	0.8
0.22	13	10	7	10	0.6	19	12	7	15	0.8
0.33	13	12	8	10	0.6	19	12	7	15	0.8
0.47	19	11	6	15	0.8	24	13	8	20	0.8
0.68	19	13	8	15	0.8	24	14	9	20	0.8
1	19	14	9	15	0.8	24	15	10	20	0.8
1.5	24	15	8	20	0.8	32	18	9.5	28	0.8
2.2	24	17	10	20	0.8	32	19	11	28	0.8

R. V.	400VDC					630VDC				
Size	W	H	T	P	d	W	H	T	P	d
Cap.	Max	Max	Max	1	0.05	Max	Max	Max	1	0.05
0.01	11	9	6	7.5	0.6	13	10	6	10	0.6
0.015	11	10	6	7.5	0.6	13	11	7	10	0.6
0.022	11	10	6	7.5	0.6	13	13	8	10	0.6
0.033	11	11	7	7.5	0.6	19	12	7	15	0.8
0.047	13	12	7	10	0.6	19	13	8	15	0.8
0.068	13	13	8	10	0.6	19	14	9	15	0.8
0.1	19	13	7	15	0.8	19	15	10	15	0.8
0.15	19	14	8	15	0.8	24	17	10	20	0.8
0.22	24	15	8	20	0.8	24	19	12	20	0.8
0.33	24	15	9	20	0.8	32	19	12	28	0.8
0.47	24	19	12	20	0.8	32	22	14	28	0.8
0.68	32	19	12	20	0.8	36	23	15	33	0.8
1	32	22	14	28	0.8	36	29	16	33	0.8
1.5	36	24	14	33	0.8	42	30	19	38	0.8
2.2	36	28	19	33	0.8					

• The above dimensions are for reference only. The final dimensions are subject to our specifications.

**ORDER INFORMATION**

Product No.: KLS10 - CL21 - XXX X XX - XX

Pos.No. Product Name: CAPACITANCE IN 3DIGITS TOL. K= ± 10% J=± 5% Rated Voltage 100=100VDC 250=250VDC 400=400VDC Pitch P5=5mm P7.5=7.5mm

Metallized Polyester Film Capacitor(MEF) 332=0.0033uF 104= 0.1uF 474= 0.47uF 105= 1uF