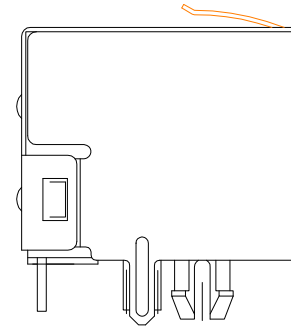


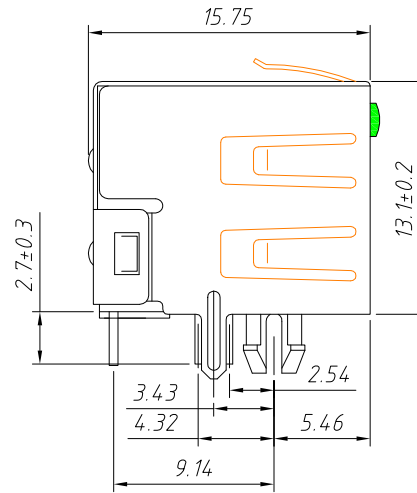
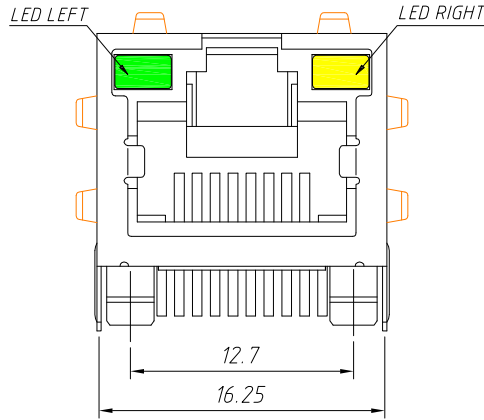
With Shield



TOP EMI Shield

Material:  
 Housing: PBT+Glass Filled Polyester  
 Flammability Rating: UL94V-0  
 Contacts: Phosphor Bronze  $\phi 0.46\text{mm}$   
 Plating: Gold Plating  
 Shield: Brass, Tin Plating

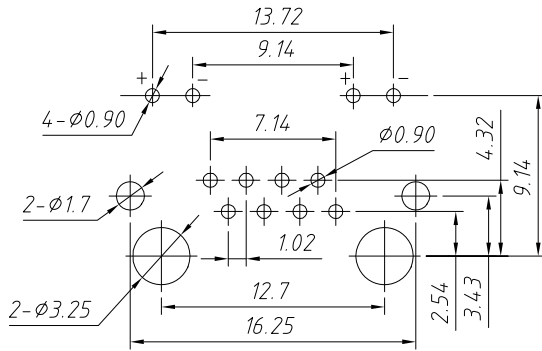
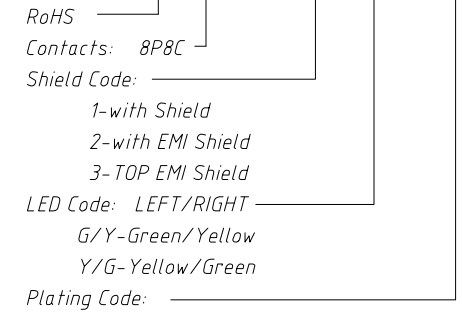
Electrical:  
 Voltage Rating: 125VAC  
 Current Rating: 1.5A  
 Contact Resistance:  $30\text{m}\Omega$  Max.  
 Insulation Resistance:  $500\text{M}\Omega$  Min.  
 Dielectric Strength: 1000VAC Rms  
 50Hz, 1 Min.  
 Durability: 600 cycles Min.  
 Operation Temperature:  $-40^{\circ}\text{C} \sim +85^{\circ}\text{C}$



With EMI Shield

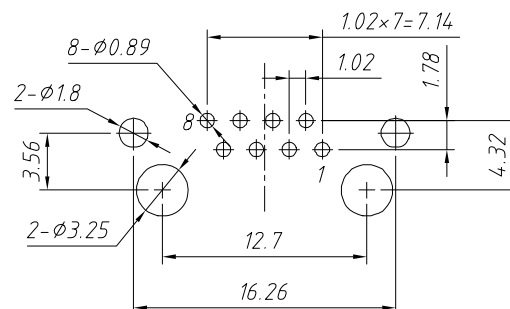
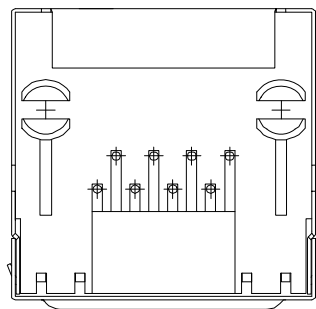
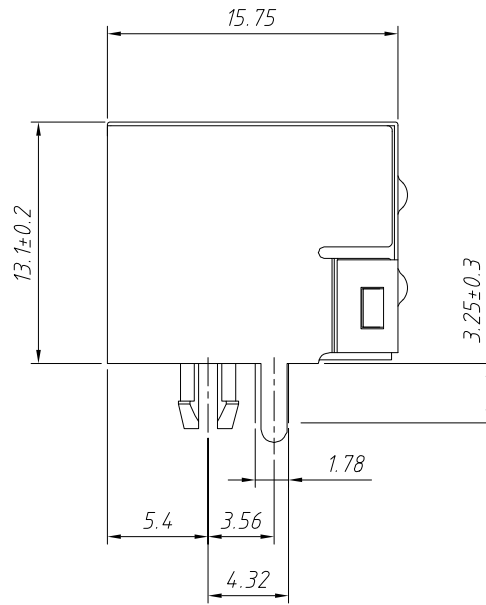
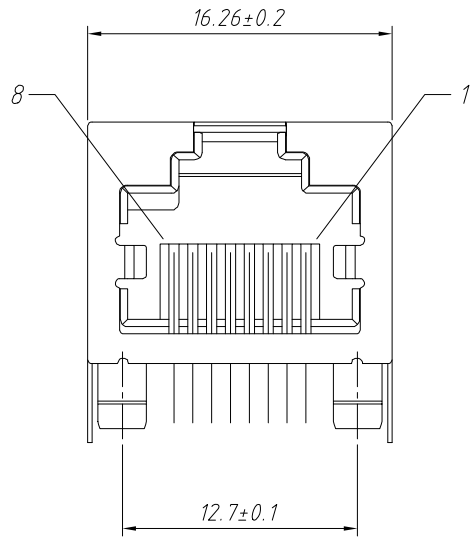
Order Information

L-KLS12-108-8P8C- 1x1 -X- G/Y-0-XX



PCB Layout

GENERAL TOLERANCE	PROJECTION		Description:
X. $\pm 0.30$	UNITS	mm	Modular jacks with LED, RJ45-8P8C 1x1 with SHELL
X $\pm 0.25$	SCALE	1:1	
.XX $\pm 0.20$	Draw by:	Jenny	KLS P/N: L-KLS12-108-8P8C-1x1-X-X/X-0-XX
ANGLE TOLERANCE	Check by:	Daniel	NingBo KLS ELECTRONIC CO.,LTD.
X. $\pm 3^{\circ}$	Date	2019-12-26	
X $\pm 2^{\circ}$	SHEET	1 OF 1	
.XX $\pm 1^{\circ}$			



PC Board Layout

**Material:**

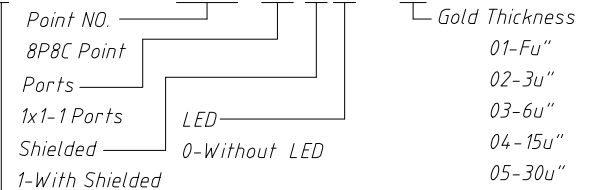
- 1.Housing:PBT,PA66,PA46, UL 94V-0
- 2.Contact:Phosphor Bronze  $\phi 0.46\text{mm}$
- 3.Shield:0.20mm Thickness Copper Alloy,Nickel Plated
- 4.Plating: Gold plating over nickel.

**Electrical:**

- 1.Current Rating:1.5A
- 2.Voltage Rating:125VAC
- 3.Contact Resistance:30M $\Omega$  Max.
- 4 Insulation Resistance:500M $\Omega$  Min @500VDC
- 5.Withstanding Voltage:1000VAC 50Hz or 60Hz 1min
- 6.Durability:750 cycles Min
- 7.Operation:-40°C ~ +85°C

**Order Information**

L-KLS12-108-8P8C-1x1-1-0-0-01



RoHS

GENERAL TOLERANCE	PROJECTION		Description:
X ±0.30	UNITS	mm	Modular jacks,RJ45-8P8C Jack
X ±0.25	SCALE	1:1	
.XX ±0.20	Draw by:	Jenny	
ANGLE TOLERANCE	Check by:		KLS P/N: L-KLS12-108-8P8C-1x1-1-0-0-01
X $\pm 3^\circ$	Date	2018-03-01	NingBo KLS ELECTRONIC CO.,LTD.
X $\pm 2^\circ$	SHEET	1 OF 1	
.XX $\pm 1^\circ$			