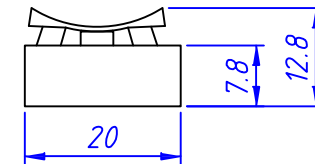
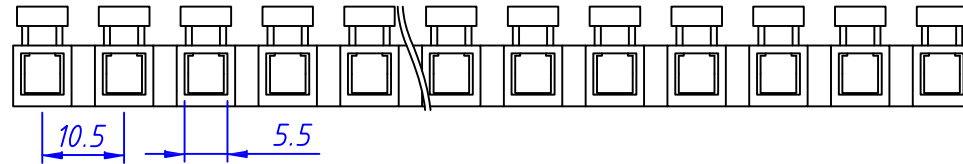
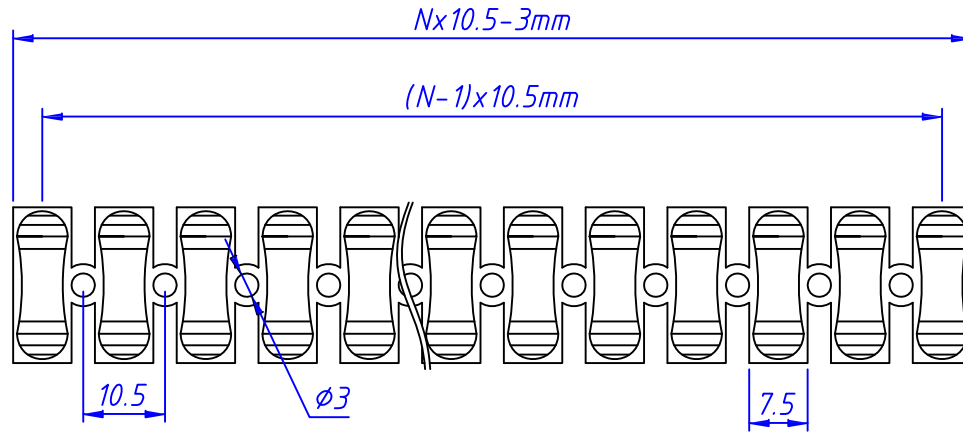


1
RoHS Compliance



Electrical :
 Rated Voltage: 380V
 Rated Current: 10A
 Wiring Capacity: 0.5-2.5mm²


Materials
 Insulation Materials: PP, Flame Retardant, White
 Contact: Steel spring, Nickel Plated

Number of poles: 2~12 poles
 Strip length : 7mm
 Operating Temperature: 105°C

ORDER INFORMATION

L-KLS2- 238E - XXP - 9

Color code: 9- White
 Poles: 2~12 Poles
 PUSH wire Connectors Type
 RoHS

| GENERAL TOLERANCE | | ANGLE TOLERANCE | PROJECTION | Description: |
|-------------------|------------|---|------------|---------------------|
| X. ±0.60 | ±2° | UNITS | mm | PUSH wire Connector |
| .X ±0.38 | | SHEET SIZE | A4 | |
| .XX ±0.25 | | KLS P/N: | | |
| Draw: Daniel | 2018-08-27 |  NingBo KLS ELECTRONIC CO.,L TD. | | |
| Check: Daniel | 2018-08-27 | | | |
| SCALE | SHEET | | | |