

## Side level sensor

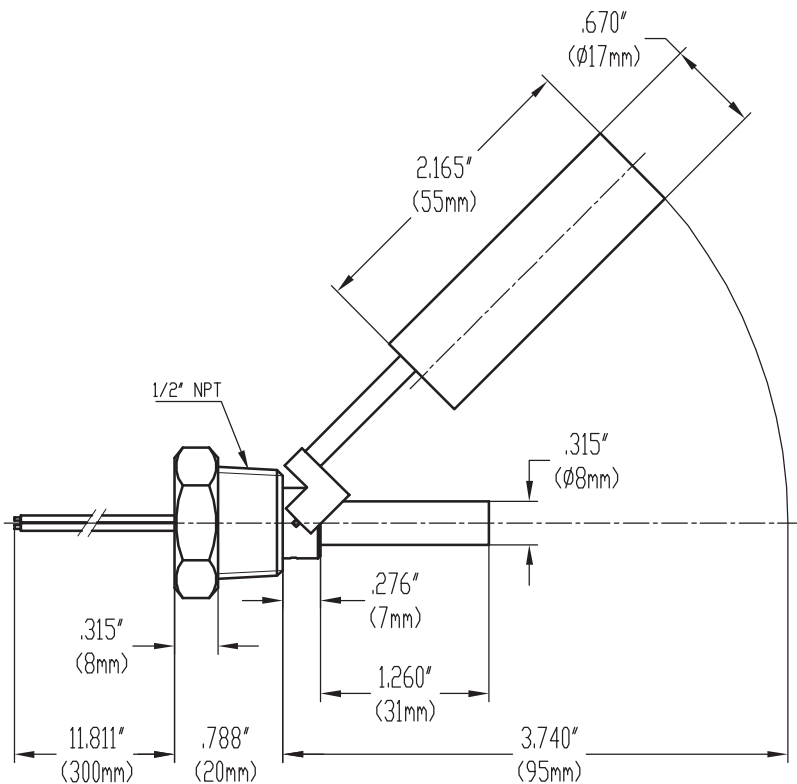
**KLS26-MR-L10** Side mounted liquid level switch

**Material:**

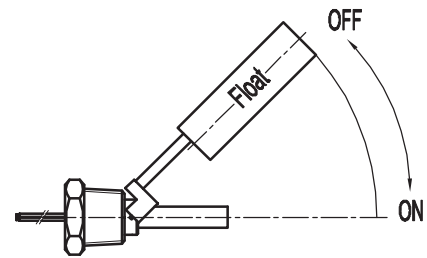
Float ball:SUS304  
Float body:SUS304  
Wire:UL 1015 22# black  
Filling:epoxy glue  
Reed switch:229

**Electrical Specification:**

Contact rating:50W  
Max switching current:DC350/AC300  
Breakdown voltage:600 min  
Max switching voltage:DC0.7/AC0.5  
Max carry current:2.5A  
Contact resistance:100 max  
Insulation resistance:10<sup>10</sup> min  
Get an electric shock life:10<sup>7</sup>  
Applicable temperature:-15°C~+125°C



**Movement explanation**



**Movement explanation:**

1. When the float is in 20±2°, the reed switch will be closed.
2. When the float is in 25±2°, the reed switch will be open.

## ORDER INFORMATION

Product NO.: **KLS26-MR-L10**

