

Side level sensor

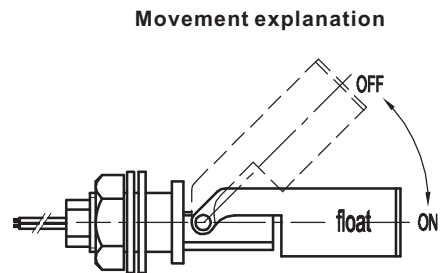
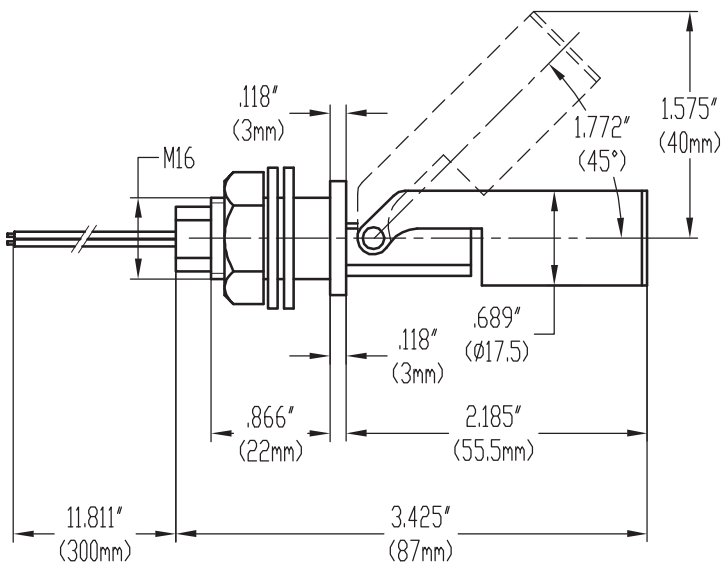
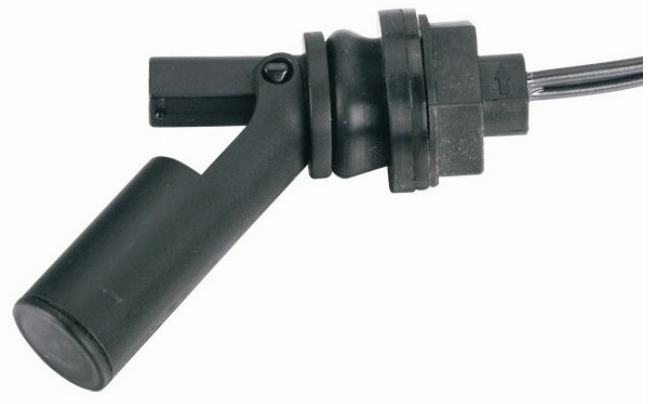
KLS26-MR-L4 Side level sensor

Material:

- Float ball:PP Black
- Float body:PP Black
- Cap nut:PP Black
- O-ring:PP Black
- E-ring:Rubber
- Wire:UL 1015 22# black
- Filling:epoxy glue
- Reed switch:229

Electrical Specification:

- Contact rating:50W
- Max switching current:DC350/AC300
- Breakdown voltage:600 min
- Max switching voltage:DC0.7/AC0.5
- Max carry current:2.5A
- Contact resistance:100 max
- Insulation resistance: 10^{10} min
- Get an electric shock life: 10^7
- Applicable temperature:-10°C~+85°C



- Movement explanation:**
1. When the float is in $20 \pm 2^\circ$, the reed switch will be closed.
 2. When the float is in $25 \pm 2^\circ$, the reed switch will be open.

ORDER INFORMATION

Product NO.: KLS26-MR-L4

