

## Side level sensor

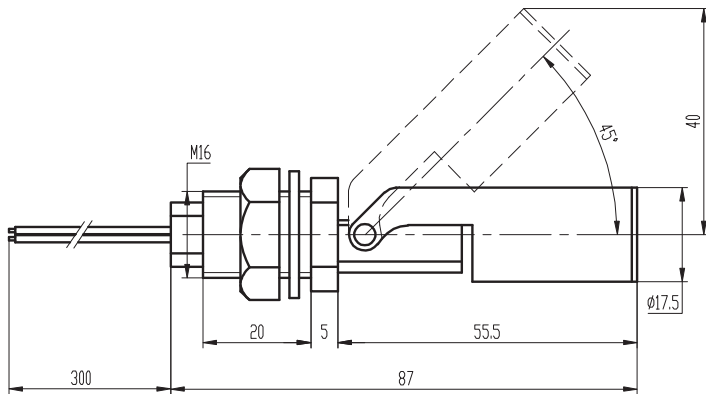
KLS26-MR-L5 Side mounted liquid level switch

**Material:**

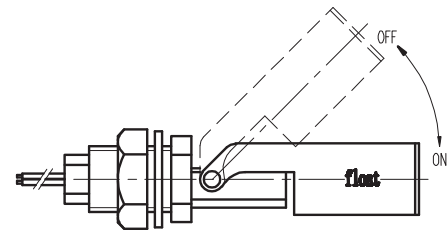
- Float ball:PP
- Float body:PP
- Cap nut:PP
- O-ring:Rubber
- Wire:1015 22# black
- Filling:epoxy glue
- Reed switch:229

**Electrical Specification:**

- Contact rating:50W
- Max switching current:DC350/AC300
- Breakdown voltage:600 min
- Max switching voltage:DC0.7/AC0.5
- Max carry current:2.5A
- Contact resistance:100 max
- Insulation resistance:10<sup>10</sup> min
- Get an electric shock life:10<sup>7</sup>
- Applicable temperature:-15°C~+85°C



**Movement explanation**



**Movement explanation:**

1. When the float is in 20±2°, the reed switch will be closed.
2. When the float is in 25±2°, the reed switch will be open.

## ORDER INFORMATION

Product NO.: KLS26-MR-L5

