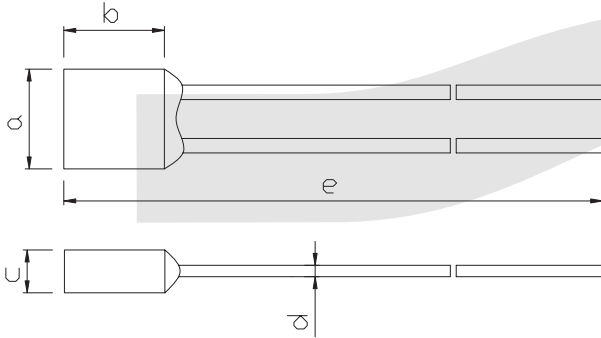


## Thermal Fuse Series

KLS5-104 Side shell Thermal Fuse 5A Series



Dimension(mm)		5A Series		
a	b	c	d	e
8.5±0.5	8±0.2	3.5±0.2	0.8±0.05	45±2

104-5A Series												
Model No	Rated functioning temp (Tf)	Fusing-off temperature	Holding Temperature (Th)	Maximum temp. limit (Tm)	Rated current (I <sub>r</sub> )	Rated voltage (U <sub>r</sub> )	Safety approval					RoHS Compliance
							UL	CUL	VDE	PSE	CCC	
104-5A-1	84°C	82±2°C	40°C	180°C	5A	250Vac	●	●	●	●	●	●
104-5A-2	102°C	98±2°C	63°C	180°C	5A	250Vac	●	●	●	●	●	●
104-5A-3	115°C	112±3°C	75°C	180°C	5A	250Vac	●	●	●	●	●	●
104-5A-4	125°C	120±3°C	85°C	180°C	5A	250Vac	●	●	●	●	●	●
104-5A-5	130°C	126±2°C	90°C	180°C	5A	250Vac	●	●	●	●	●	●
104-5A-6	135°C	131±3°C	90°C	180°C	5A	250Vac	●	●	●	●	●	●
104-5A-7	138°C	135±2°C	93°C	180°C	5A	250Vac	●	●	●	●	●	●
104-5A-8	150°C	145±3°C	105°C	180°C	5A	250Vac	●	●	●	●	●	●

## ORDER INFORMATION

