

Fuse Holders

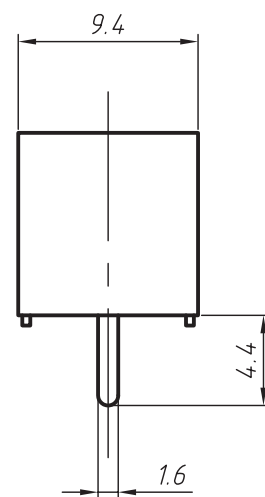
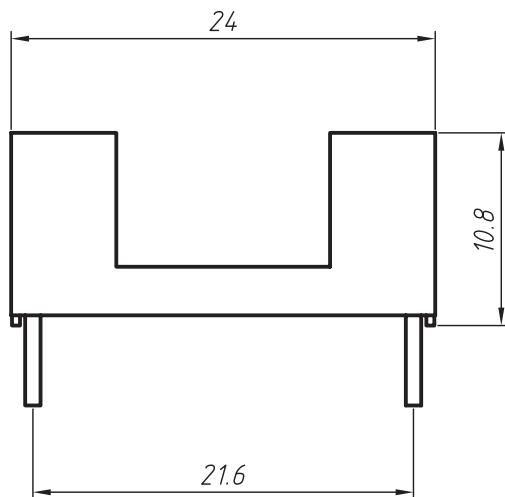
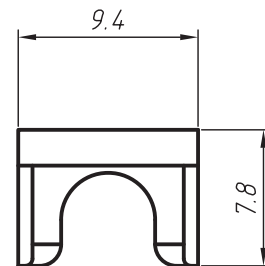
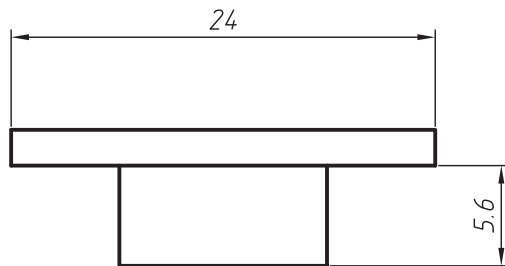
KLS5-242 PCB Fuse Holder For Fuse 5.2×20mm

STRUCTURE:

Colour: Black, Green
Housing: Flame-retarded plastic
Pole: Tinning brass
Suitable fuse: $\varnothing 5.2 \times 20\text{mm}$

ELECTRONIC CHARACTER:

Rating current: 6.3A
Rating voltage: 250V AC



ORDER INFORMATION

Product NO.: KLS5-242

Pos. NO.

Series No.