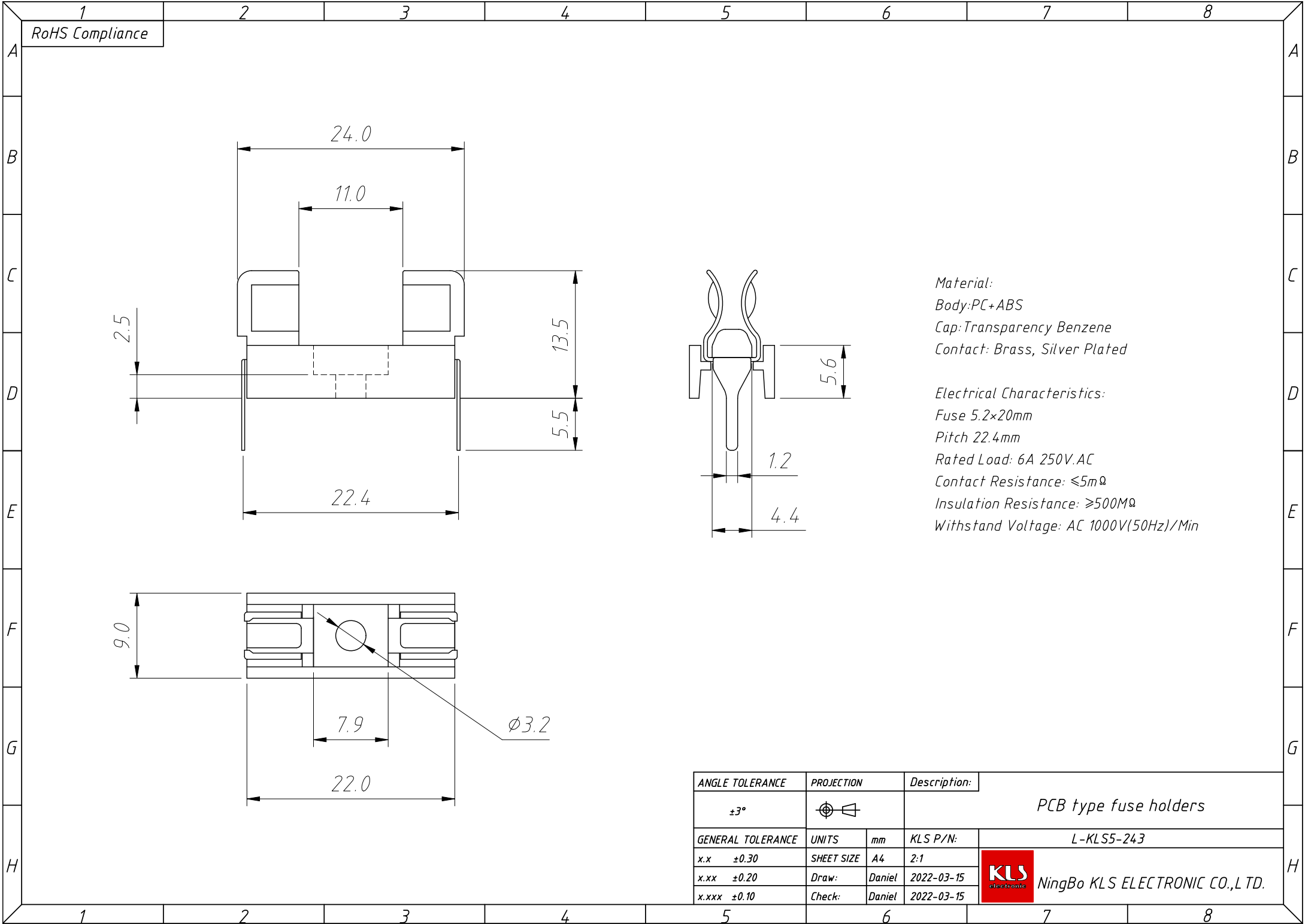


1
RoHS Compliance

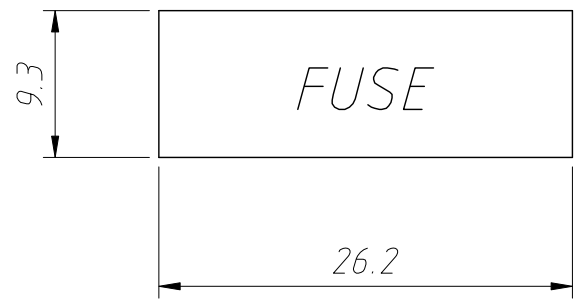
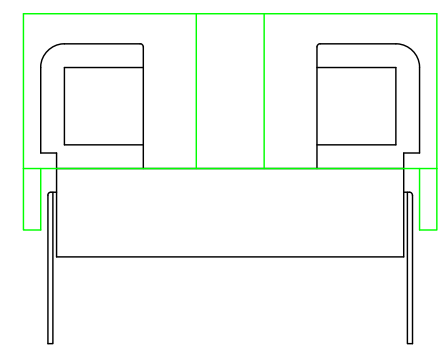
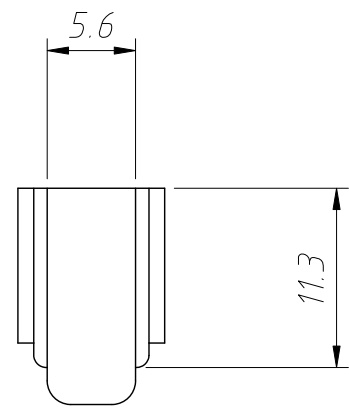
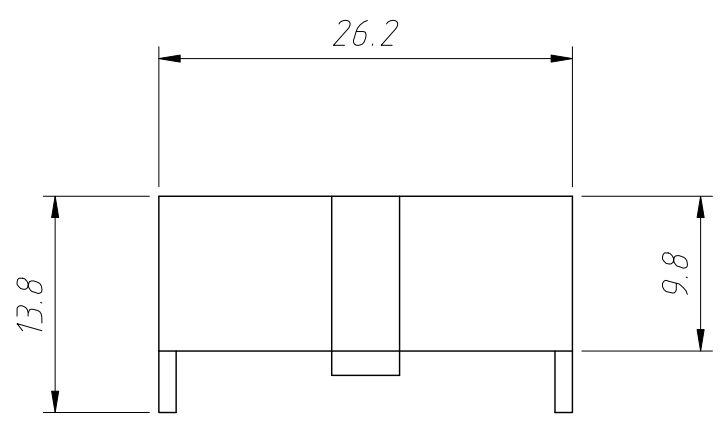


Material:
 Body:PC+ABS
 Cap:Transparency Benzene
 Contact: Brass, Silver Plated

Electrical Characteristics:
 Fuse 5.2×20mm
 Pitch 22.4mm
 Rated Load: 6A 250V.AC
 Contact Resistance: $\leq 5m\Omega$
 Insulation Resistance: $\geq 500M\Omega$
 Withstand Voltage: AC 1000V(50Hz)/Min

ANGLE TOLERANCE	PROJECTION	Description:	PCB type fuse holders	
$\pm 3^\circ$				
GENERAL TOLERANCE	UNITS	mm	KLS P/N:	L-KLS5-243
x.x ± 0.30	SHEET SIZE	A4	2:1	NingBo KLS ELECTRONIC CO.,LTD.
x.xx ± 0.20	Draw:	Daniel	2022-03-15	
x.xxx ± 0.10	Check:	Daniel	2022-03-15	

1
RoHS Compliance



ANGLE TOLERANCE	PROJECTION	Description:		
±3°		PCB type fuse holders cap		
GENERAL TOLERANCE	UNITS	mm	KLS P/N:	L-KLS5-243
x.x ±0.30	SHEET SIZE	A4	2:1	NingBo KLS ELECTRONIC CO.,LTD.
x.xx ±0.20	Draw:	Daniel	2022-03-15	
x.xxx ±0.10	Check:	Daniel	2022-03-15	