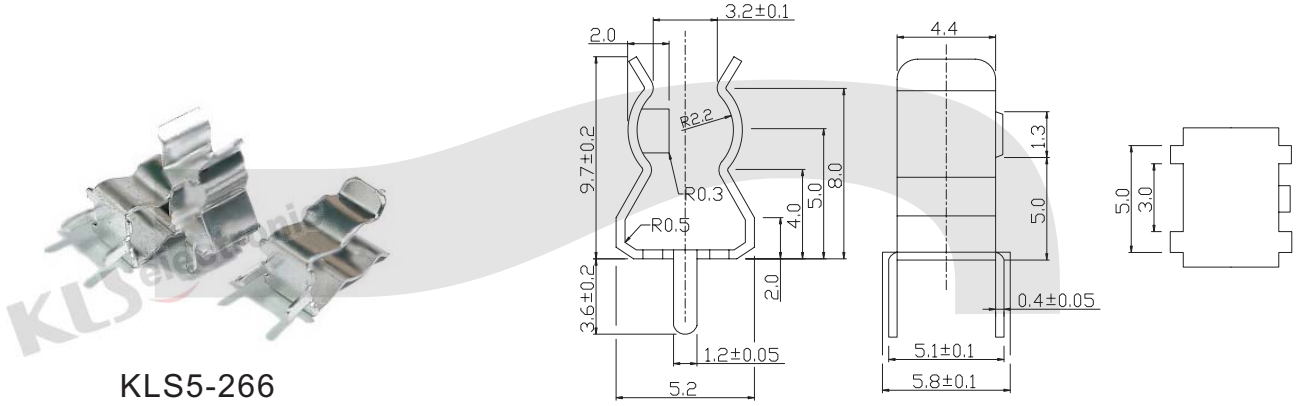


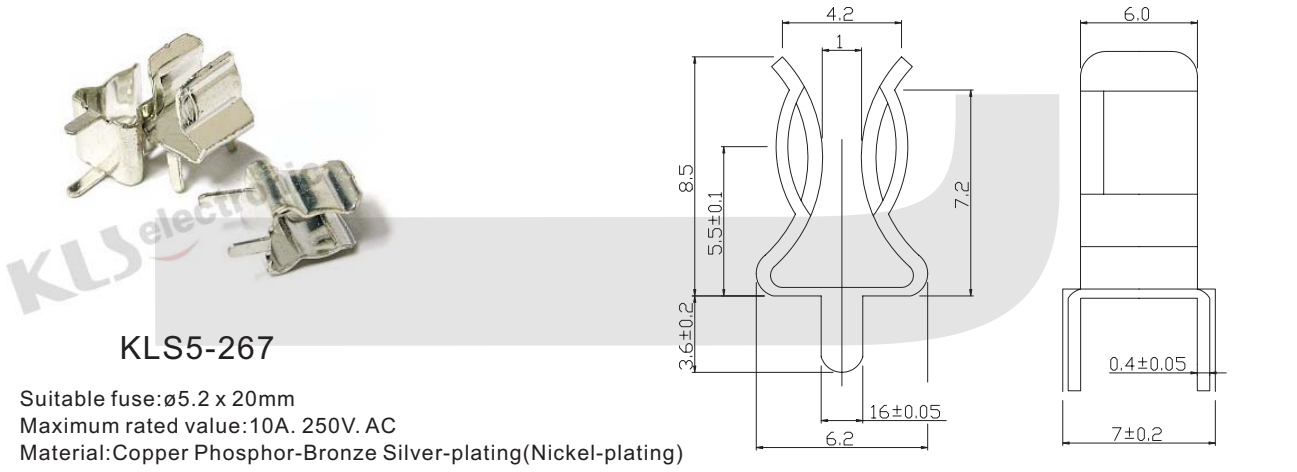
FUSE AND FUSE HOLDER

Fuse holder Series



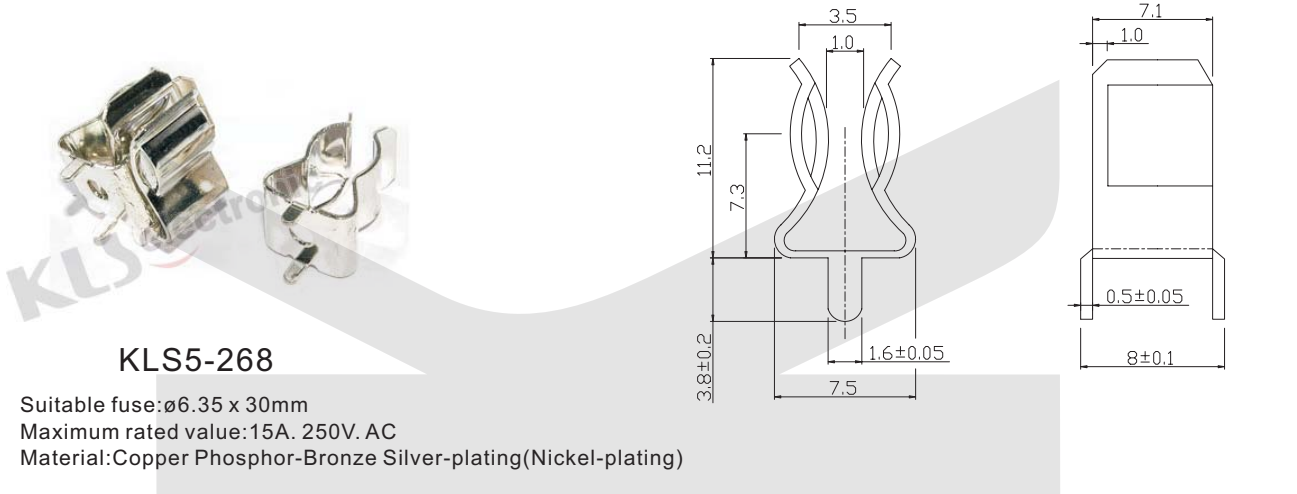
KLS5-266

Suitable fuse: $\phi 5.2 \times 20\text{mm}$
 Maximum rated value: 10A. 250V. AC
 Material: Copper Phosphor-Bronze Silver-plating(Nickel-plating)



KLS5-267

Suitable fuse: $\phi 5.2 \times 20\text{mm}$
 Maximum rated value: 10A. 250V. AC
 Material: Copper Phosphor-Bronze Silver-plating(Nickel-plating)



KLS5-268

Suitable fuse: $\phi 6.35 \times 30\text{mm}$
 Maximum rated value: 15A. 250V. AC
 Material: Copper Phosphor-Bronze Silver-plating(Nickel-plating)

