

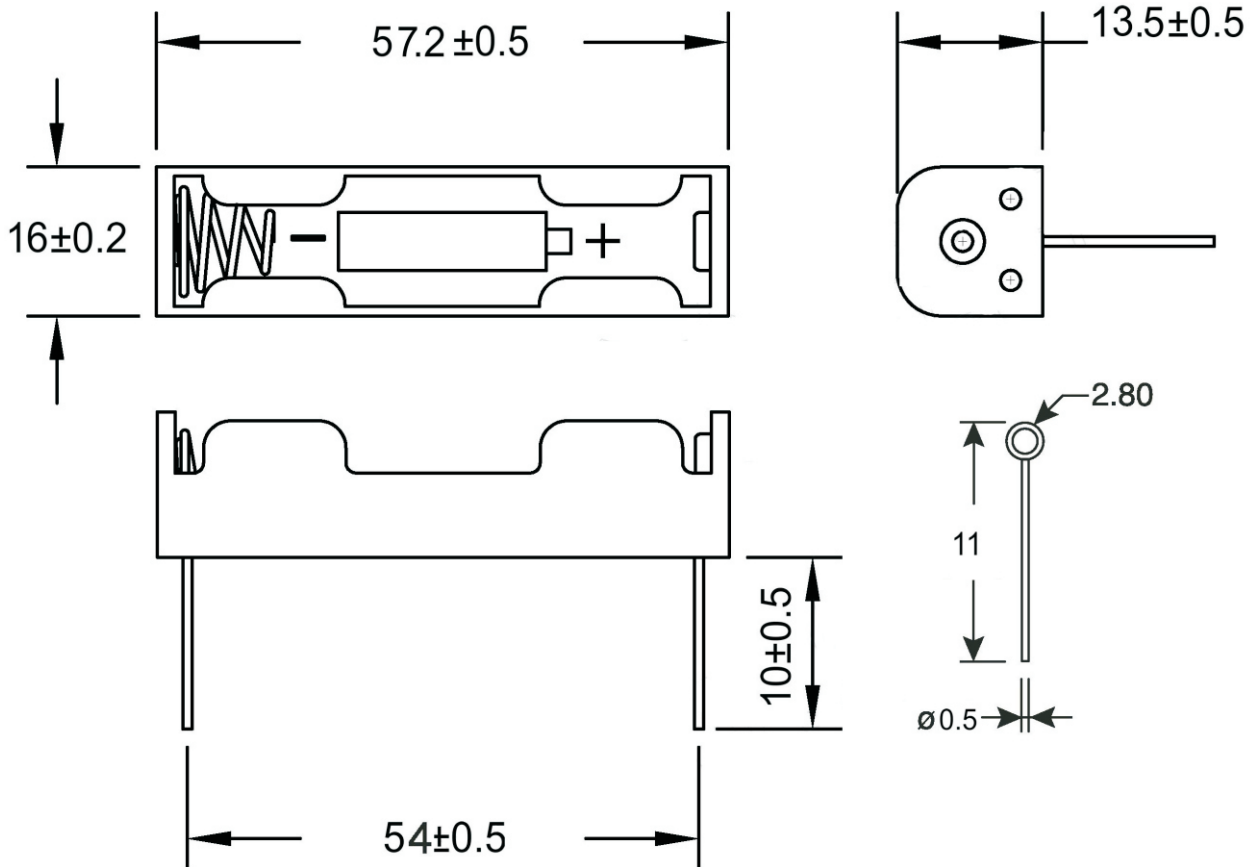


**Battery Holders**

KLS5-801 KLS5-801 AA or 14505" Battery Holder with PC Pins

**SPECIFICATIONS**

Material: P.P. Resin,Black Color  
Terminal:  $\phi 0.8 \times 24$ mm PC Pins,Nickel Plated Brass  
Spring: 0.65mm 65C Spring Steels,Nickel Plated  
RoHS Compliant



**ORDER INFORMATION**

Product NO.: L-KLS5-801-D

Pos. NO. ———  
Cell Box Series ———  
TYPE:  
A-With Solder Lug  
B-With UL1007 26AWG Wire 15CM Or Other  
C-With 6 Prong snap  
D-With PCB Pin