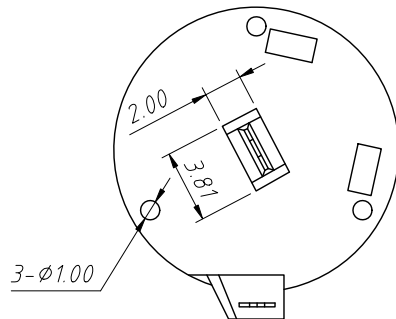
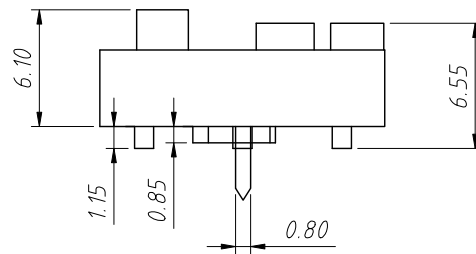
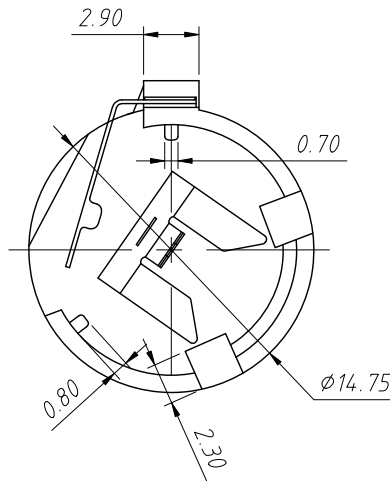
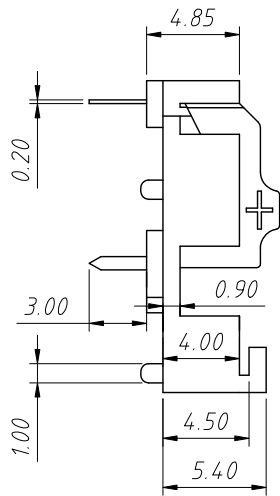


RoHS Compliance



Material:

Housing:PBT UL94V-0,Black

Contact:Phosphor bronze,T=0.20mm

Finish :Gold Plating and Ni Under-plating

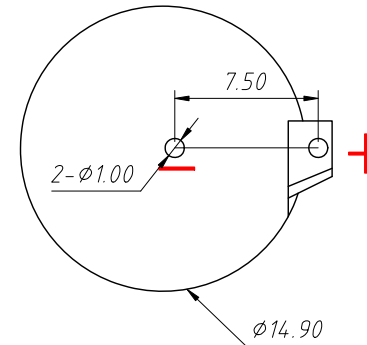
Electrical Characteristics:

Contact Resistance:30m $\Omega$  Max

Insulator Resistance:1000M $\Omega$  Min

Dielectric Voltage:500V AC One Sec Level

Operating Temperature:-25 $^{\circ}$ C ~ + 85 $^{\circ}$ C



PCB Layout Diagram  
Top View

Order Information:

L-KLS5-CR1220-01

L: RoHS

CR1220 Coin

Battery Holder

Part Number

ANGLE TOLERANCE	PROJECTION	Description:	CR1220 DIP COIN CELL RETAINERS, DIP 90° TYPE,H6.55mm,Tin plated
$\pm 3^{\circ}$			
GENERAL TOLERANCE	UNITS	mm	KLS P/N: L-KLS5-CR1220-01
x.x $\pm 0.30$	SHEET SIZE	A4	
x.xx $\pm 0.20$	Draw:	Daniel	2022-03-01
x.xxx $\pm 0.10$	Check:	Daniel	2022-03-01



NingBo KLS ELECTRONIC CO.,LTD.