

## PCB Connector Series

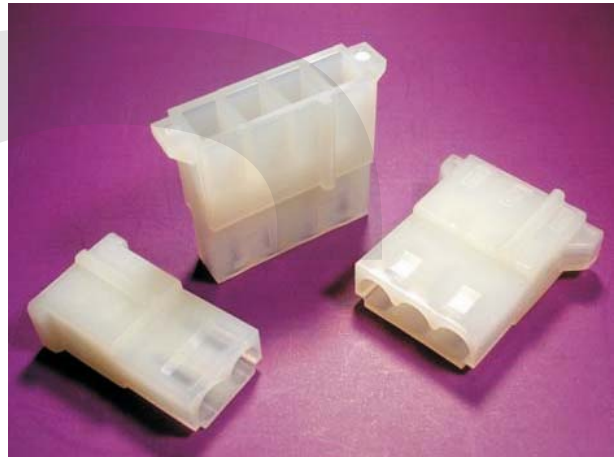
KLS1-XL1-5.08 Pitch=5.08mm TYPE

### Electrical Specification:

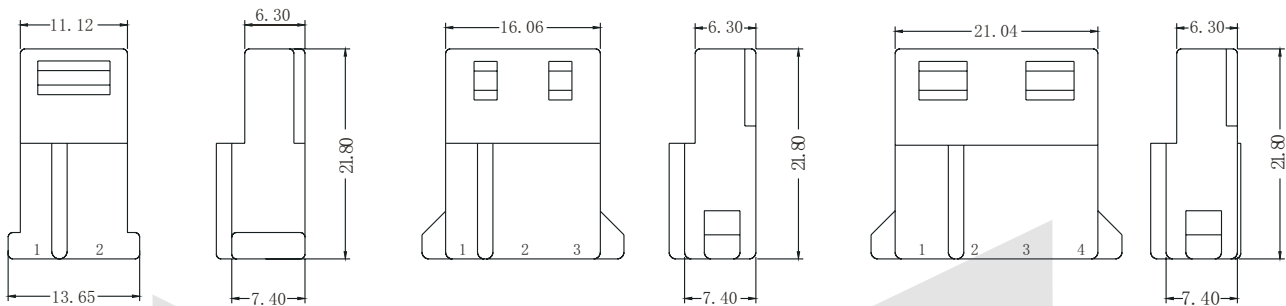
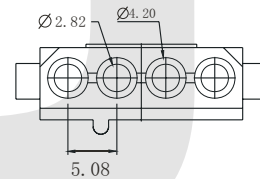
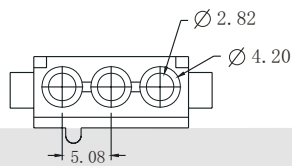
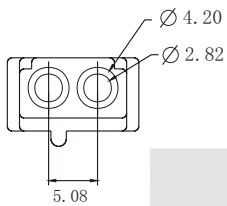
Rated Voltage: 250V AC/DC  
 Rated Current: 5A  
 Contact Resistance: 0.01Ω max  
 Insulation Resistance: 1000MΩ min  
 Withstand voltage: 500V AC/MIN  
 Temperature range for usage : -40°C~+105°C

### Material:

Housing: PA66 (PA66) UL94V-2  
 Contacts: Phosphor Bronze  
 Plating: Tin 50u" over 100u" nickel  
 Wire range : AWG#30~#22



### Male Housing



## ORDER INFORMATION

Product NO.: KLS1-XL1-5.08-04-MH

Series No. \_\_\_\_\_  
 Pitch: 5.08=5.08mm \_\_\_\_\_

Type: MH=Male Housing    FT=Female Terminal  
 FH=Female Housing    MT=Male Terminal  
 S=Straight pin        R=Right pin  
 Pin Number: 2Pin    3Pin    4Pin

## PCB Connector Series

KLS1-XL1-5.08 Pitch=5.08mm TYPE

### Electrical Specification:

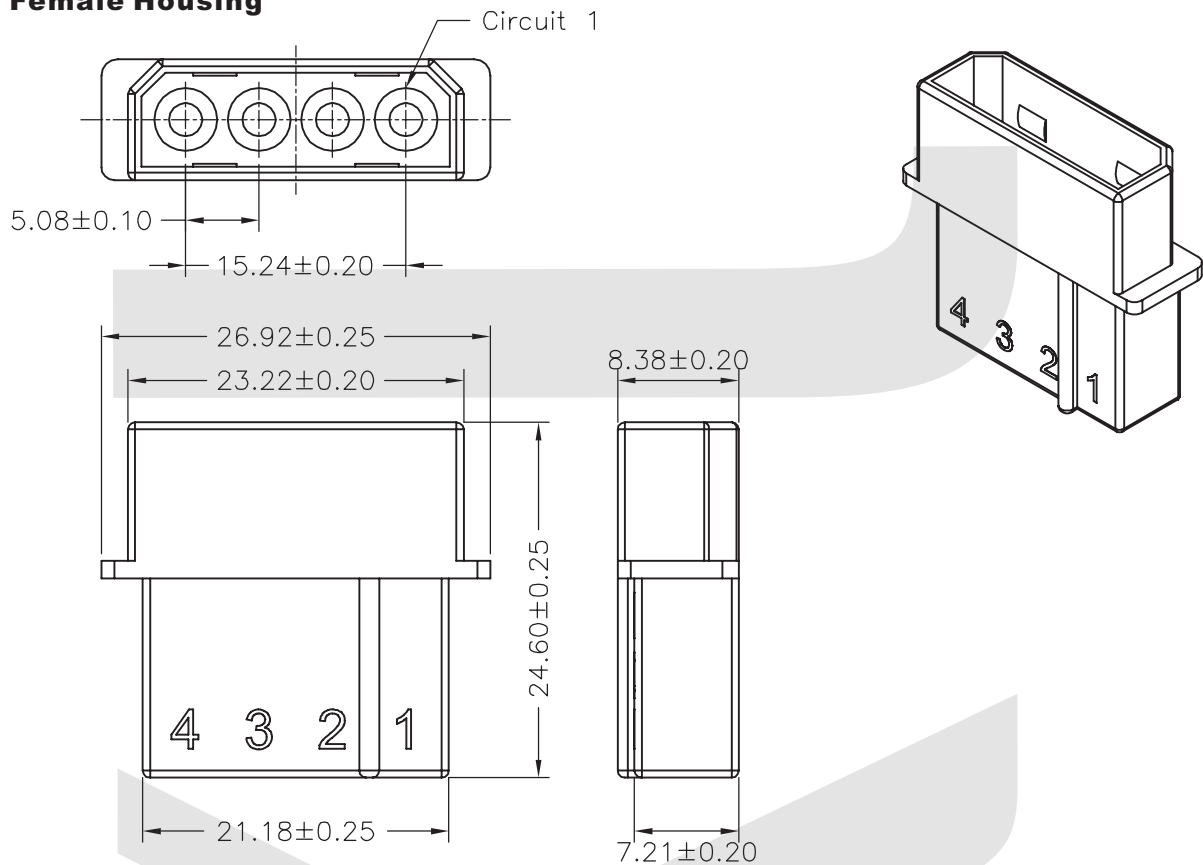
Rated Voltage: 250V AC/DC  
 Rated Current: 5A  
 Contact Resistance: 0.01Ω max  
 Insulation Resistance: 1000MΩ min  
 Withstand voltage: 500V AC/MIN  
 Temperature range for usage : -40°C~+105°C

### Material:

Housing: PA66 (PA66) UL94V-2  
 Contacts: Phosphor Bronze  
 Plating: Tin 50u" over 100u" nickel  
 Wire range : AWG#30~#22



### Female Housing



## ORDER INFORMATION

Product NO.: KLS1-XL1-5.08-04- FH

Series No. \_\_\_\_\_  
 Pitch: 5.08=5.08mm \_\_\_\_\_

Type: MH=Male Housing      FT=Female Terminal  
 FH=Female Housing      MT=Male Terminal  
 S=Straight pin          R=Right pin  
 Pin Number: 2Pin    3Pin    4Pin

**PCB Connector Series**

KLS1-XL1-5.08 Pitch=5.08mm TYPE

**Electrical Specification:**

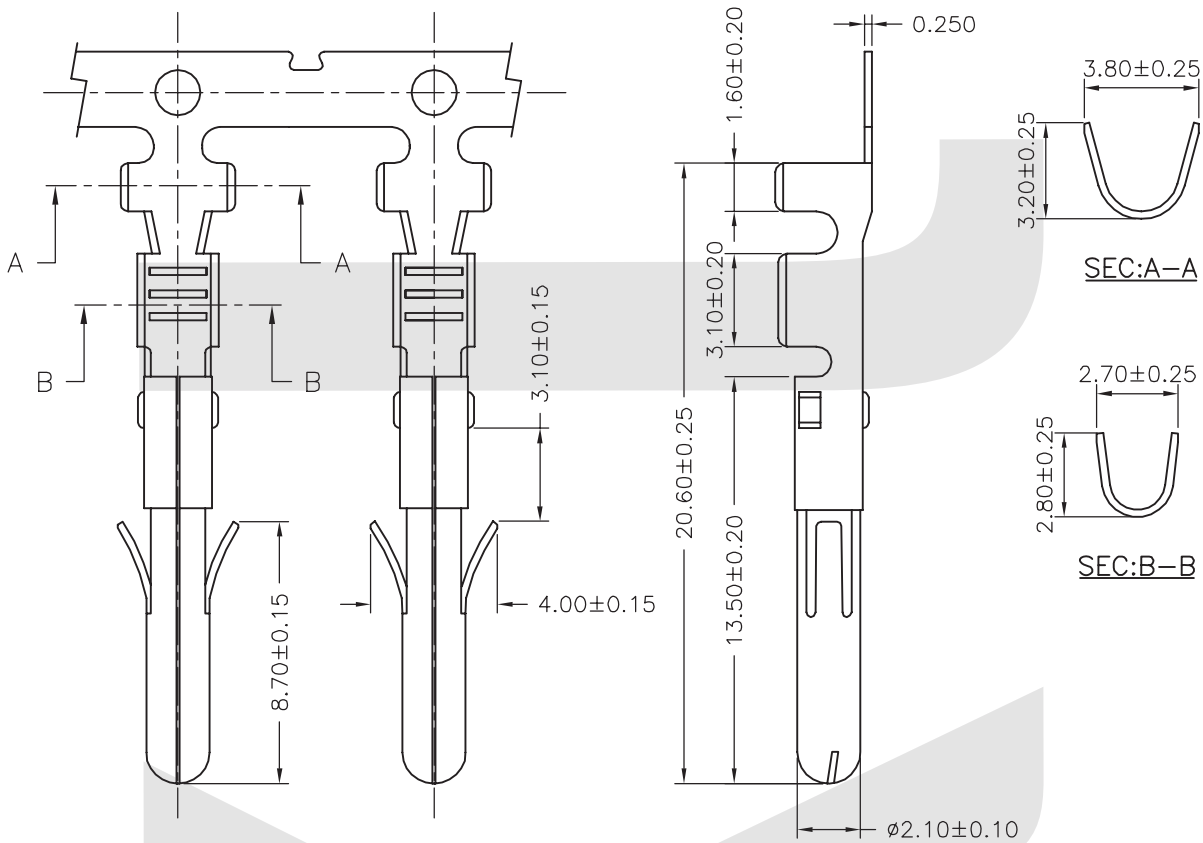
- Rated Voltage: 250V AC/DC
- Rated Current: 5A
- Contact Resistance: 0.01Ω max
- Insulation Resistance: 1000MΩ min
- Withstand voltage: 500V AC/MIN
- Temperature range for usage : -40°C~+105°C

**Material:**

- Housing: PA66 (PA66) UL94V-2
- Contacts: Phosphor Bronze
- Plating: Tin 50u" over 100u" nickel
- Wire range : AWG#30~#22



**Male Terminal**



**ORDER INFORMATION**

Product NO.: KLS1-XL1-5.08-MT

Series No. \_\_\_\_\_  
Pitch: 5.08=5.08mm \_\_\_\_\_

Type: MH=Male Housing      FT=Female Terminal  
 FH=Female Housing      MT=Male Terminal  
 S=Straight pin              R=Right pin

## PCB Connector Series

KLS1-XL1-5.08 Pitch=5.08mm TYPE

### Electrical Specification:

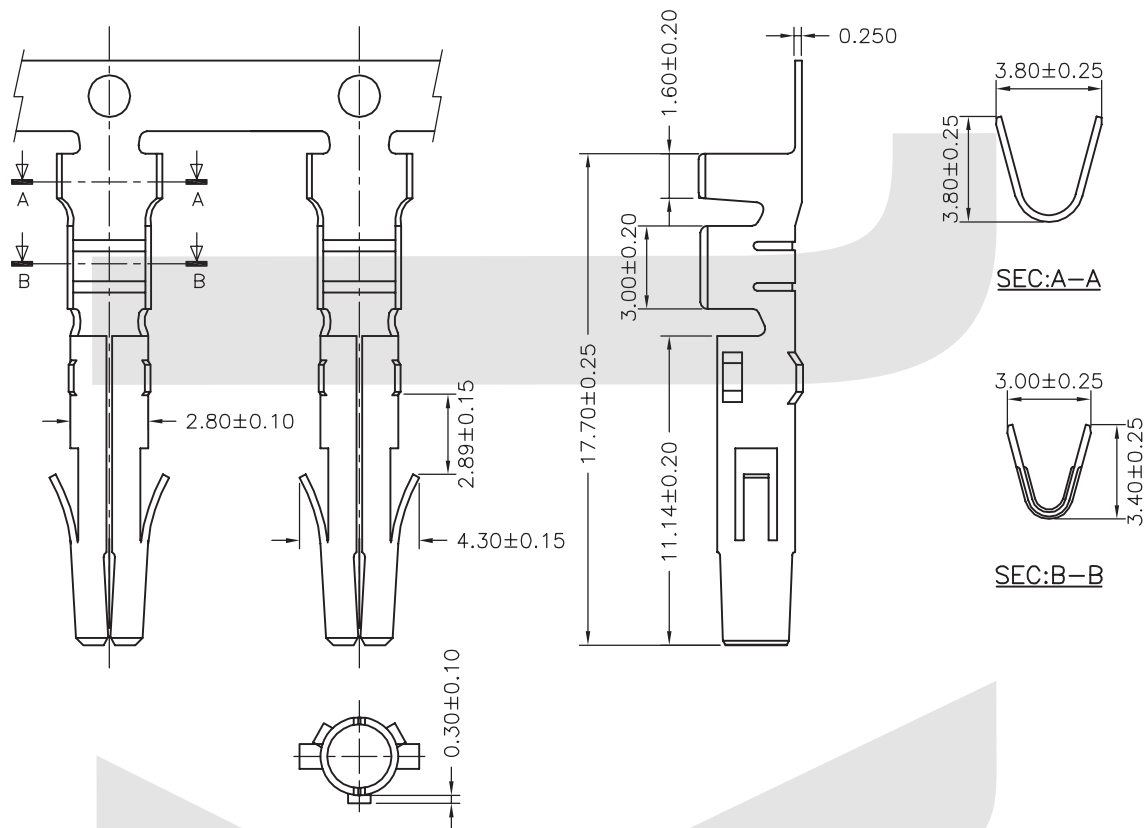
- Rated Voltage: 250V AC/DC
- Rated Current: 5A
- Contact Resistance: 0.01Ω max
- Insulation Resistance: 1000MΩ min
- Withstand voltage: 500V AC/MIN
- Temperature range for usage : -40°C~+105°C

### Material:

- Housing: PA66 (PA66) UL94V-2
- Contacts: Phosphor Bronze
- Plating: Tin 50u" over 100u" nickel
- Wire range : AWG#30~#22



### Female Terminal



## ORDER INFORMATION

Product NO.: KLS1-XL1-5.08- FT

Series No. \_\_\_\_\_  
Pitch: 5.08=5.08mm \_\_\_\_\_

Type: MH=Male Housing      FT=Female Terminal  
 FH=Female Housing      MT=Male Terminal  
 S=Straight pin              R=Right pin

## PCB Connector Series

KLS1-XL1-5.08 Pitch=5.08mm TYPE

### Electrical Specification:

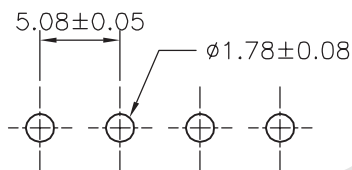
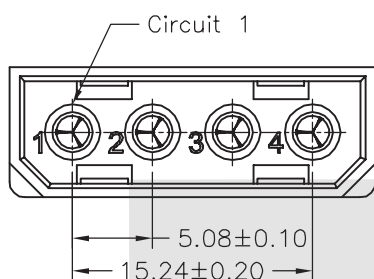
Rated Voltage: 250V AC/DC  
 Rated Current: 5A  
 Contact Resistance: 0.01Ω max  
 Insulation Resistance: 1000MΩ min  
 Withstand voltage: 500V AC/MIN  
 Temperature range for usage : -40°C~+105°C

### Material:

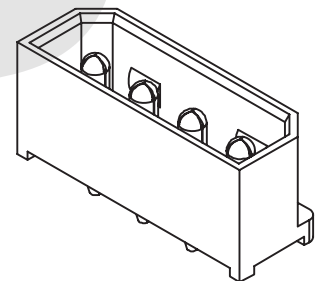
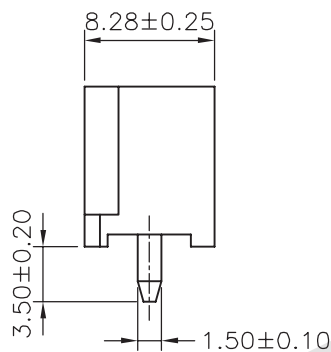
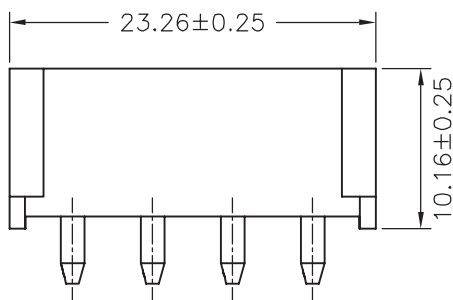
Housing: PA66 (PA66) UL94V-2  
 Contacts: Brass  
 Plating: Tin 50u" over 100u" nickel  
 Wire range : AWG#30~#22



### Straight Male pin



P.C.B. LAYOUT



## ORDER INFORMATION

Product NO.: KLS1-XL1-5.08-04- S

Series No. \_\_\_\_\_  
 Pitch: 5.08=5.08mm \_\_\_\_\_

Type: MH=Male Housing    FT=Female Terminal  
 FH=Female Housing    MT=Male Terminal  
 S=Straight pin        R=Right pin  
 Pin Number: 2Pin    3Pin    4Pin

## PCB Connector Series

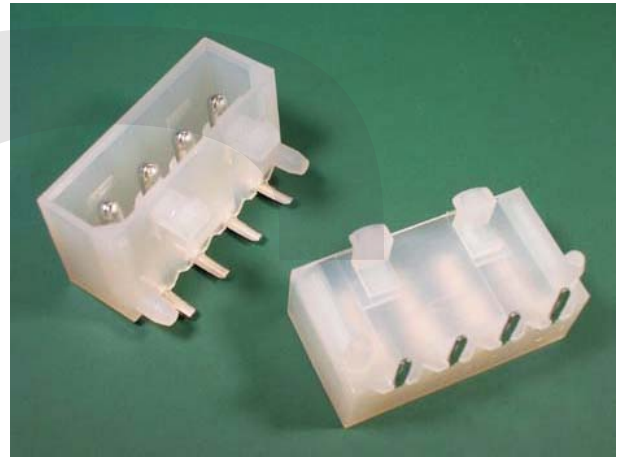
KLS1-XL1-5.08 Pitch=5.08mm TYPE

### Electrical Specification:

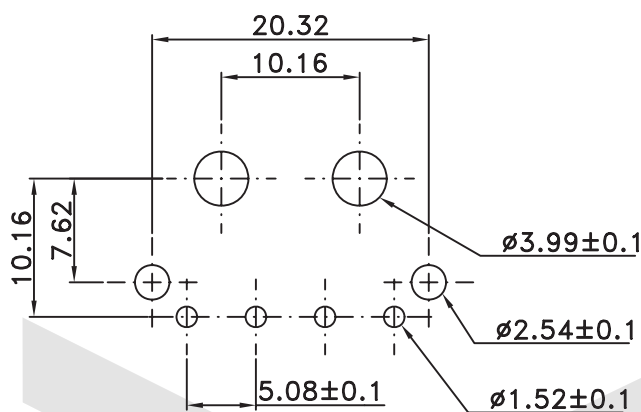
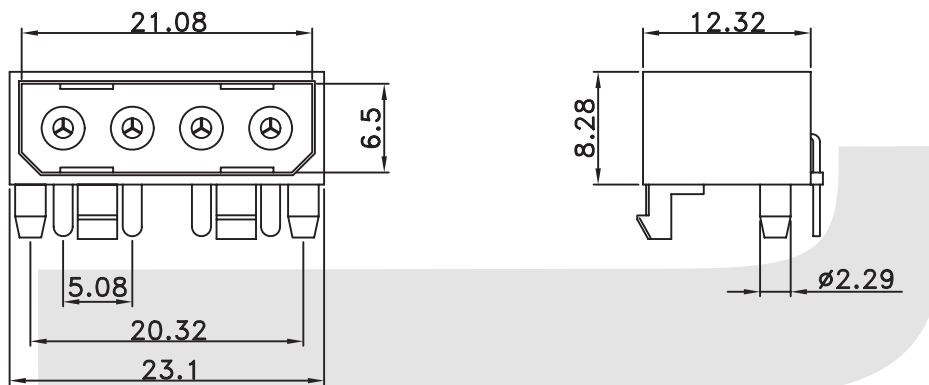
Rated Voltage: 250V AC/DC  
 Rated Current: 5A  
 Contact Resistance: 0.01Ω max  
 Insulation Resistance: 1000MΩ min  
 Withstand voltage: 500V AC/MIN  
 Temperature range for usage : -40°C~+105°C

### Material:

Housing: PA66 (PA66) UL94V-2  
 Contacts: Brass  
 Plating: Tin 50u" over 100u" nickel  
 Wire range : AWG#30~#22



### Right Male pin



## ORDER INFORMATION

Product NO.: KLS1-XL1-5.08-04- R

Series No. \_\_\_\_\_  
 Pitch: 5.08=5.08mm \_\_\_\_\_

Type: MH=Male Housing    FT=Female Terminal  
 FH=Female Housing    MT=Male Terminal  
 S=Straight pin        R=Right pin  
 Pin Number: 2Pin    3Pin    4Pin