
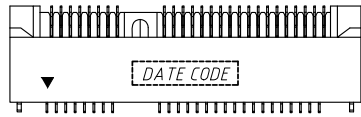


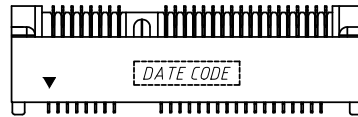
Material
 Housing: Thermoplastic, High temp, UL 94 V-0, Black.
 Contacts: Copper Alloy.
 Peps: Copper Alloy.
 Finish:
 Contacts: Selected Gold Plating on the contact area, 1u" Min.
 Gold Plating on the soldertails. 50u" Min. Nickel Under Plating over all.
 Peps: 120u" Min. Matte-Tin over 50u" Min, Nickel.

Order Information
 L-KLS1-PCI06-HXX-G0
 Height (Size H):
 H2.0=2.0mm H3.0=3.0mm
 H4.0=4.0mm H5.2=5.2mm
 H5.6=5.6mm H6.8=6.8mm H7.0=7.0mm
 H8.0=8.0mm H9.0=9.0mm H9.9=9.9mm
 Plating: 1u" Gold 30u" Gold
 G0-Gold 1u" G3U-Gold 3u" G30U-Gold 30u" RoHS

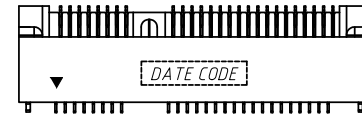
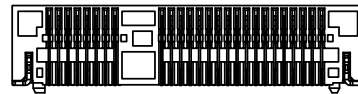
GENERAL TOLERANCE		ANGLE TOLERANCE		PROJECTION	Description:
X	±0.15	X	±5°	UNITS	Mini PCIe Card Connectors
X	±0.03	X	±3°	SHEET SIZE	
XX	±0.05	XX	±2°	KLS P/N:	
Draw by:	Jenny	Date:	2023-02-10	 NingBo KLS ELECTRONIC CO.,LTD.	
Check by:		Date:			
SCALE		SHEET	1 OF 5		



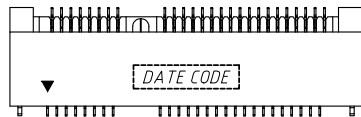
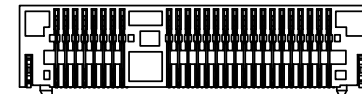
H40



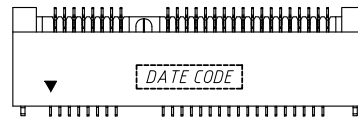
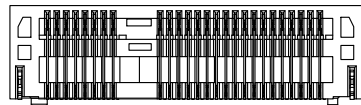
H68



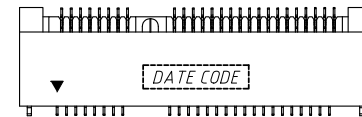
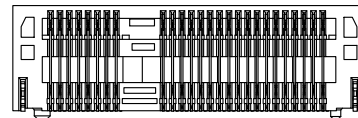
H70



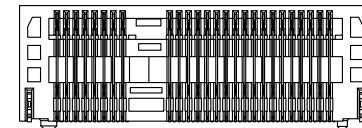
H80



H90



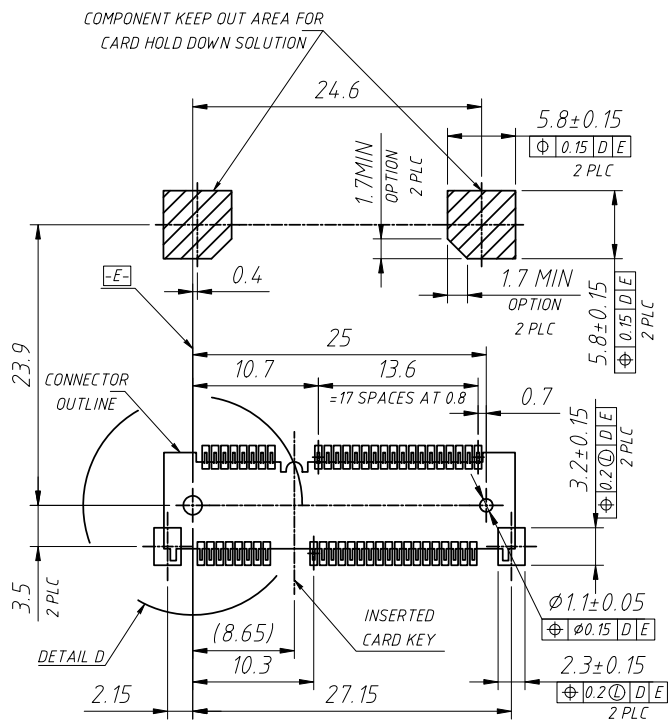
H99



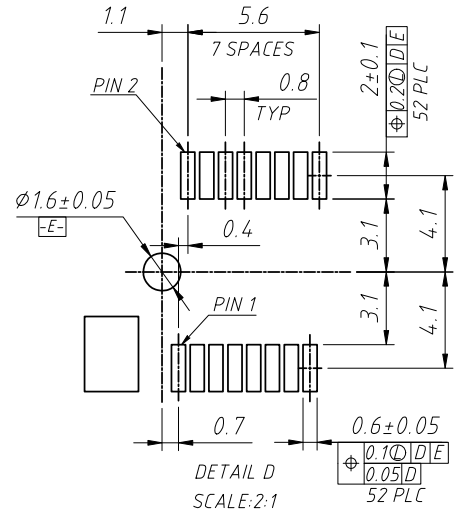
Ordering Information&Dimensions

Height (H)	Dimensions(mm)														
	A	B	C	D	E	I	J	L	N	O	Q	R	S	T	U
5.60	5.56	29.90	25.90	28.30	8.20	3.65	0.50	0.82	0.70	1.12	27.22	6.50	4.70	1.85	17.05
4.00	5.55	29.90	25.90	28.30	8.40	2.05	0.50	0.82	0.70	1.12	25.62	4.90	2.50	0.25	15.45
6.80	5.56	29.90	25.90	28.73	8.20	4.85	0.35	1.05	0.70	1.12	28.42	7.70	5.30	3.05	18.25
7.00	5.56	29.90	25.90	28.30	8.20	5.05	0.50	0.82	0.70	1.12	28.62	7.90	5.50	3.25	18.45
8.00	6.30	30.00	26.00	28.30	8.40	6.05	0.50	0.82	0.70	1.16	29.67	8.90	6.50	4.25	19.45
9.00	6.30	30.00	26.00	28.30	8.40	7.05	0.50	0.82	0.70	1.16	30.62	9.90	7.50	5.25	20.45
9.90	6.45	30.00	26.00	28.30	8.40	7.95	0.50	0.82	0.65	1.16	31.57	10.80	8.40	6.15	21.35

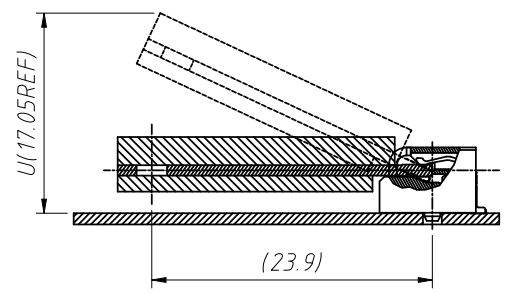
GENERAL TOLERANCE		ANGLE TOLERANCE		PROJECTION		Description:
X	±0.15	X	±5°	UNITS	mm	Mini PCIe Card Connectors
X	±0.03	X	±3°	SHEET SIZE	A4	
XX	±0.05	XX	±2°		KLS P/N:	
Draw by:	Jenny	Date:	2023-02-10	NingBo KLS ELECTRONIC CO.,L TD.		
Check by:		Date:				
SCALE		SHEET	2 OF 5			



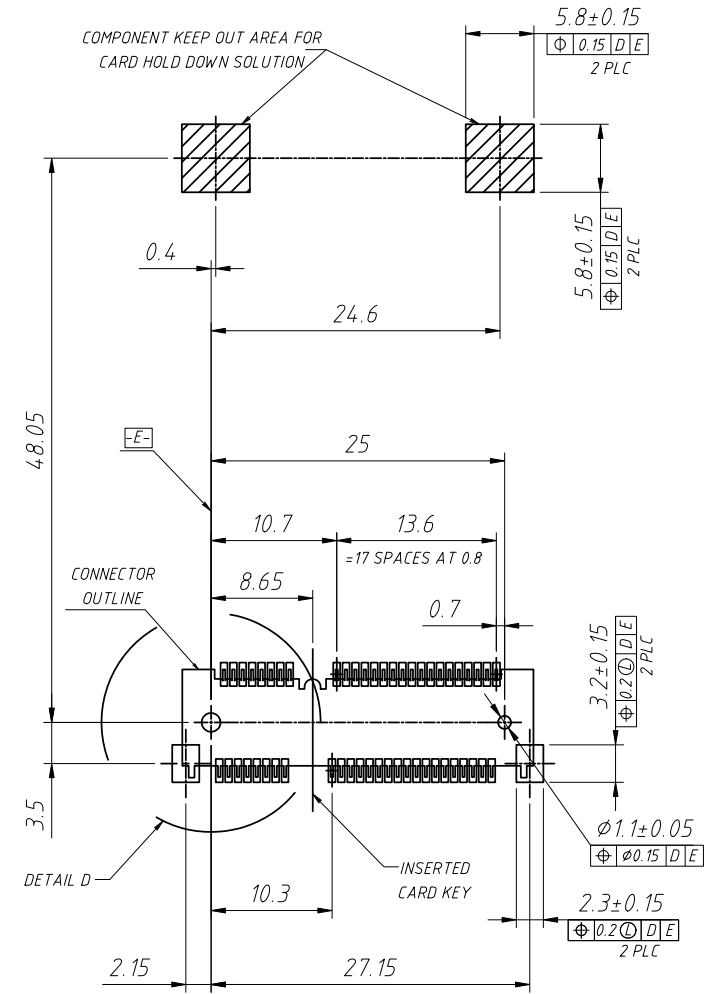
D IS THE TOP SURFACE OF PCB
RECOMMENDED PCB BOARD PATTERN LAYOUT
FOR HALF CARE CONNECTOR
TOP VIEW



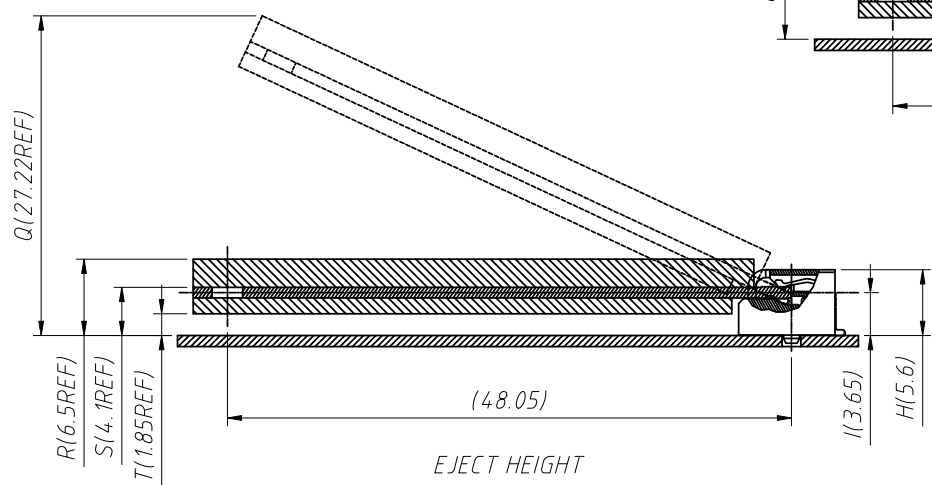
DETAIL D
SCALE:2:1




EJECT HEIGHT
FOR HALF CARD

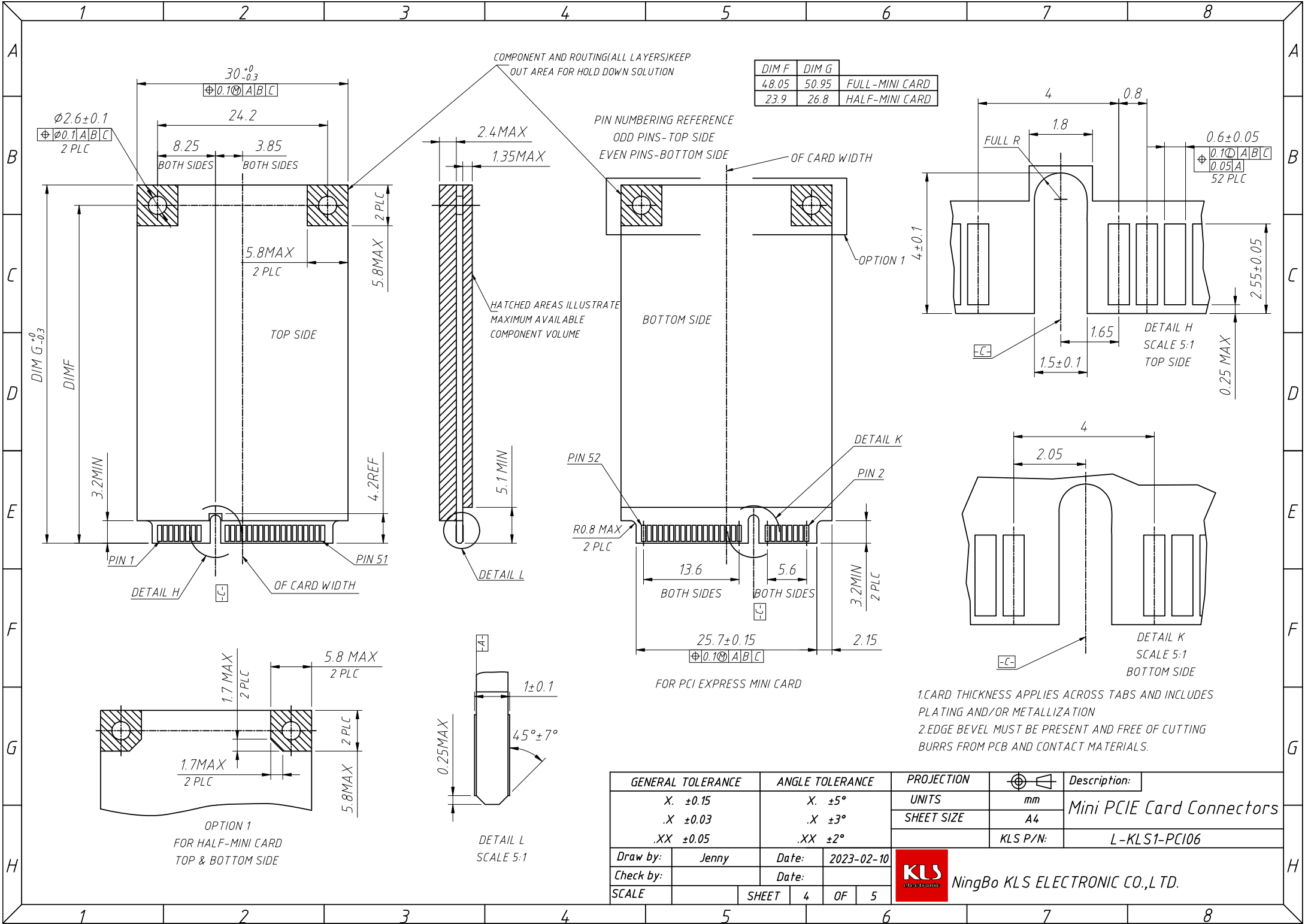


D IS THE TOP SURFACE OF PCB
RECOMMENDED PCB BOARD PATTERN LAYOUT
FOR FULL CARE CONNECTOR
TOP VIEW



EJECT HEIGHT
FOR FULL CARD

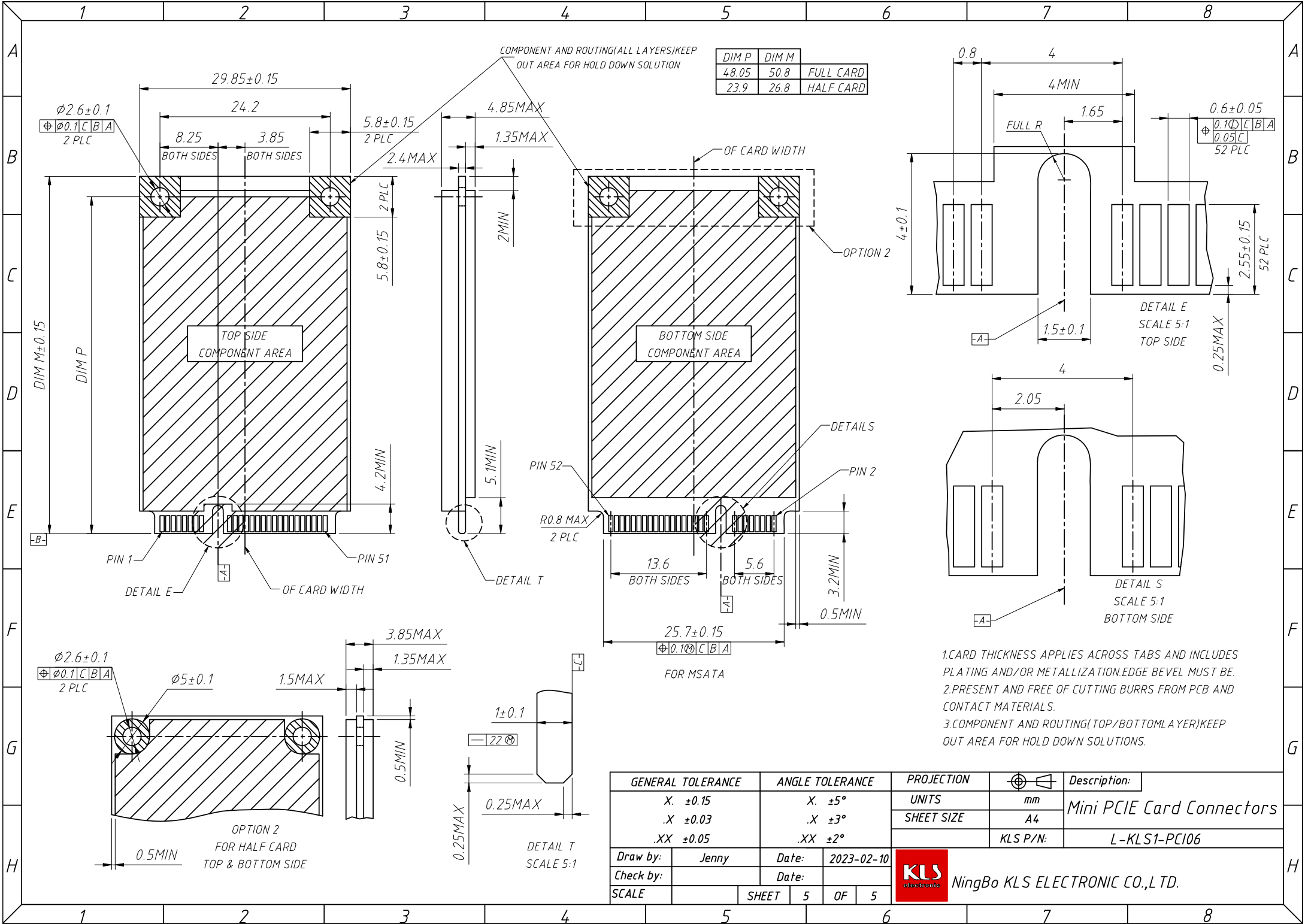
GENERAL TOLERANCE		ANGLE TOLERANCE		PROJECTION	Description:
X	±0.15	X	±5°	UNITS	Mini PCIE Card Connectors
X	±0.03	X	±3°	SHEET SIZE	
XX	±0.05	XX	±2°	KLS P/N:	L-KLS1-PCI06
Draw by:	Jenny	Date:	2023-02-10		NingBo KLS ELECTRONIC CO.,L TD.
Check by:		Date:			
SCALE		SHEET	3 OF 5		



DIM F	DIM G	
48.05	50.95	FULL-MINI CARD
23.9	26.8	HALF-MINI CARD

GENERAL TOLERANCE		ANGLE TOLERANCE		PROJECTION	Description:
X	±0.15	X	±5°	UNITS	Mini PCIe Card Connectors
X	±0.03	X	±3°	SHEET SIZE	
XX	±0.05	XX	±2°	KLS P/N:	
Draw by:	Jenny	Date:	2023-02-10	L-KLS1-PCI06	
Check by:		Date:			
SCALE		SHEET	4	OF	5

1. CARD THICKNESS APPLIES ACROSS TABS AND INCLUDES PLATING AND/OR METALLIZATION
 2. EDGE BEVEL MUST BE PRESENT AND FREE OF CUTTING BURRS FROM PCB AND CONTACT MATERIALS.



DIM P	DIM M	
48.05	50.8	FULL CARD
23.9	26.8	HALF CARD

- CARD THICKNESS APPLIES ACROSS TABS AND INCLUDES PLATING AND/OR METALLIZATION. EDGE BEVEL MUST BE.
- PRESENT AND FREE OF CUTTING BURRS FROM PCB AND CONTACT MATERIALS.
- COMPONENT AND ROUTING (TOP/BOTTOM LAYER) KEEP OUT AREA FOR HOLD DOWN SOLUTIONS.

GENERAL TOLERANCE		ANGLE TOLERANCE		PROJECTION	Description:
X	±0.15	X	±5°	UNITS	Mini PCIe Card Connectors
X	±0.03	X	±3°	SHEET SIZE	
XX	±0.05	XX	±2°	KLS P/N:	
Draw by:	Jenny	Date:	2023-02-10	L-KLS1-PCI06	
Check by:		Date:			
SCALE		SHEET	5	OF	5