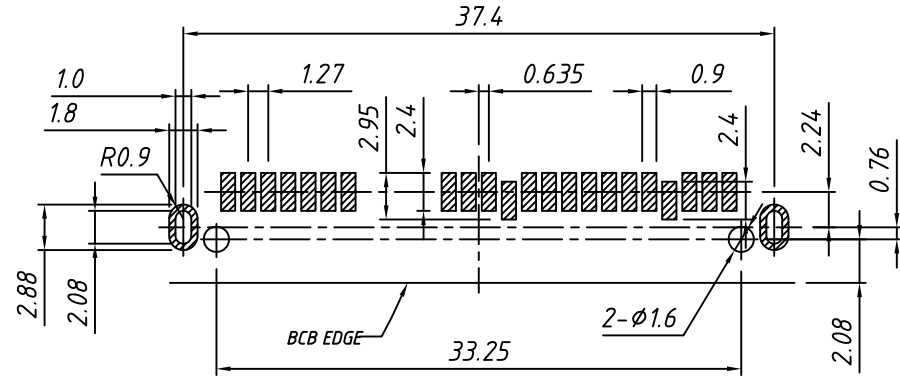
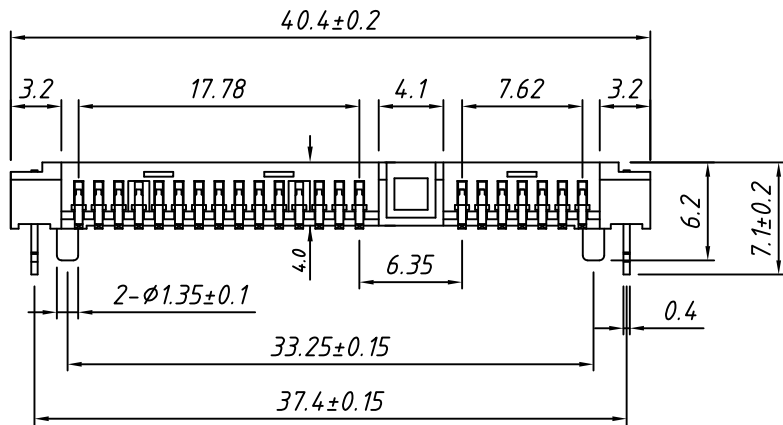
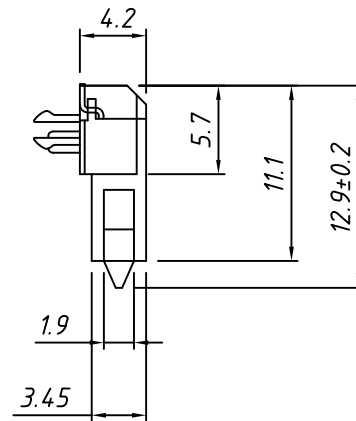
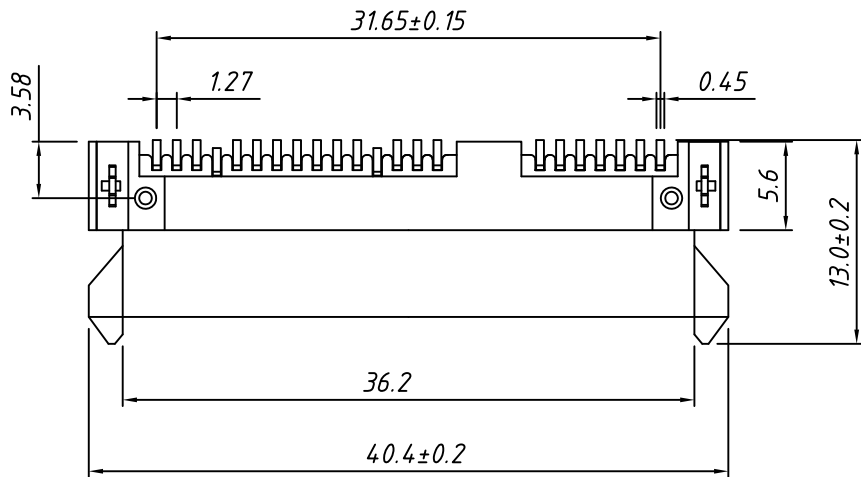


1 RoHS Compliance



Recommend PC Board Layout



MATERIAL:

- Housing: LCP, UL 94-V0, Black
- Contact: Copper alloy, 50u" min. Nickel plating
- Overall: 100u" min. Tin on solder tail;
- Gold plating on contact area.
- Hook: Copper alloy, Nickel and Tin plating overall.

ELECTRICAL:

- Contact Resistance: 25 mΩ Max.
- Insulation Resistance: 1000 MΩ Min.
- Dielectric Withstanding Voltage: 500VRMS Min.

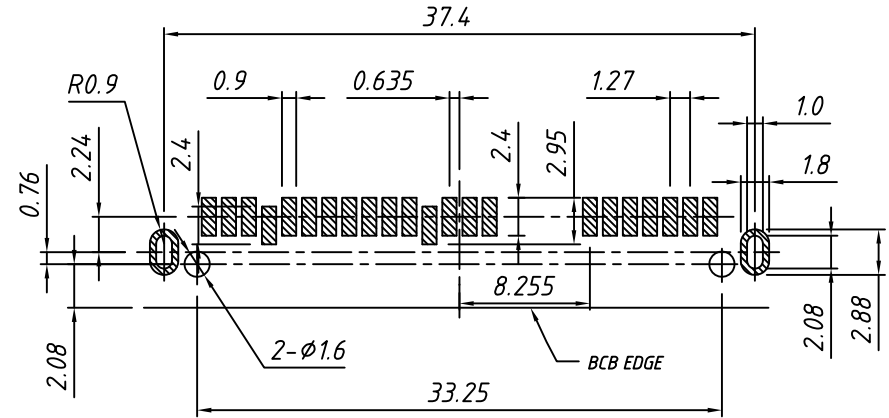
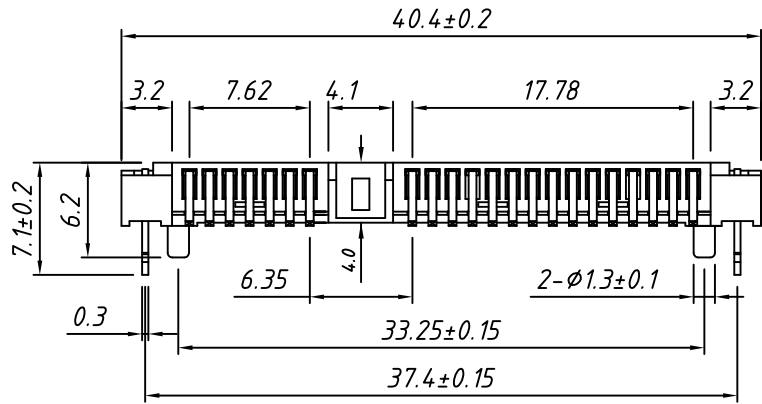
TOLERANCE	Description:	
.X ±0.30	PROJECTION	
.XX ±0.20	UNITS	mm
.XXX ±0.10	SHEET	A4
X. ±2°	Draw:	Daniel
.X ±1°	Check:	Daniel
.XX ±0.5°	Date	2018-03-01

SATA 7+15P Female
Connector, DOWN SMD, H4.20mm

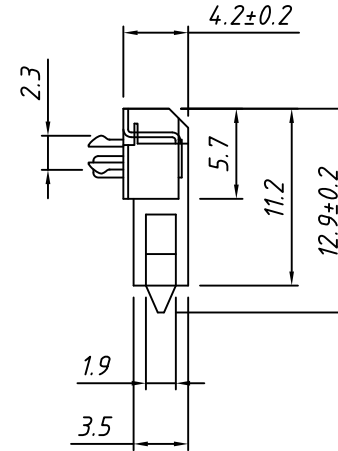
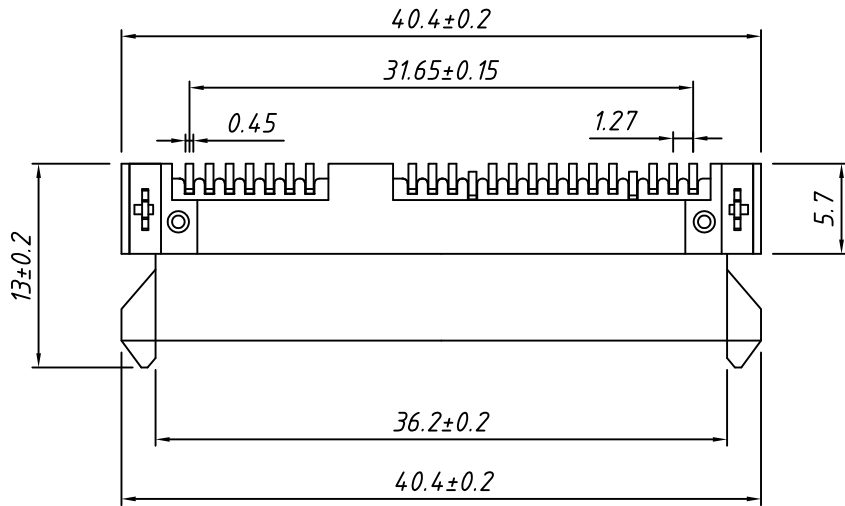
KLS P/N: L-KLS1-SATA409 D

NingBo KLS ELECTRONIC CO.,LTD.

1 RoHS Compliance



Recommend PC Board Layout



MATERIAL:

Housing: LCP, UL 94-V0, Black

Contact: Copper alloy, 50u" min. Nickel plating

Overall: 100u" min. Tin on solder tail;

Gold plating on contact area.

Hook: Copper alloy, Nickel and Tin plating overall.

ELECTRICAL:

Contact Resistance: 25 mΩ Max.

Insulation Resistance: 1000 MΩ Min.

Dielectric Withstanding Voltage: 500VRMS Min.

TOLERANCE	PROJECTION	UNITS	SHEET	Draw:	Date	Description:	KLS P/N:
.X ±0.30		mm	A4	Daniel	2018-03-01	SATA 7+15P Female Connector, UP SMD, H4.20mm	L-KLS1-SATA409 U
.XX ±0.20				Daniel			
.XXX ±0.10							
X. ±2°							
.X ±1°							
.XX ±0.5°							



NingBo KLS ELECTRONIC CO.,LTD.