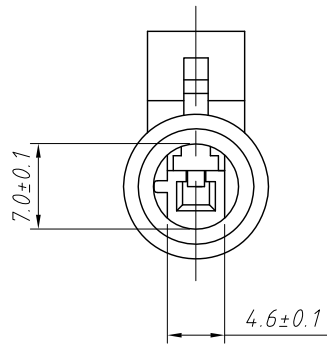
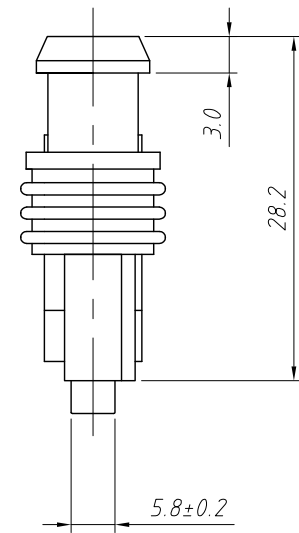
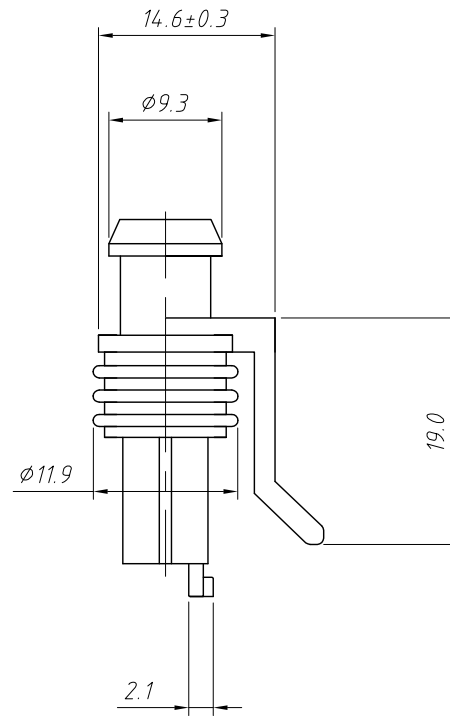
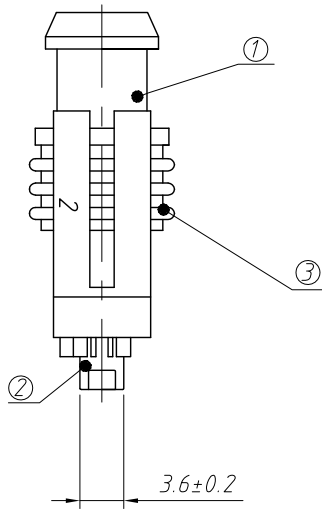
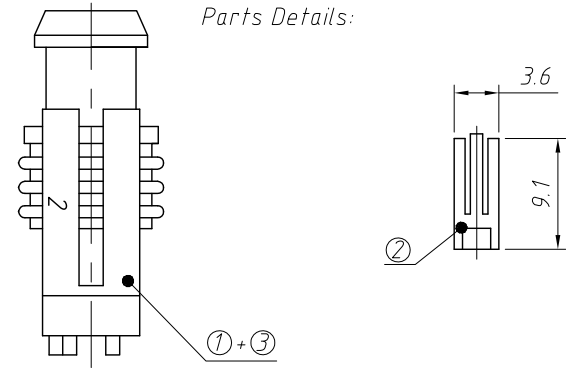


1
RoHS Compliance



Parts Details:



Material:

1.Housing:PA66,Black,UL 94V-0

2.Lock:PA66+GF,Red

3.Wire Seal:Silicone Rubber, Yellow

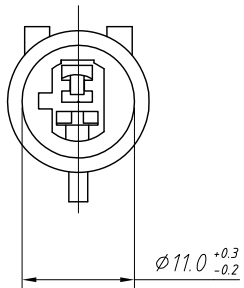
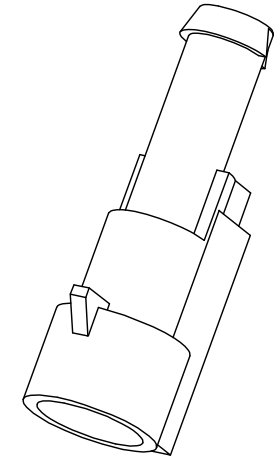
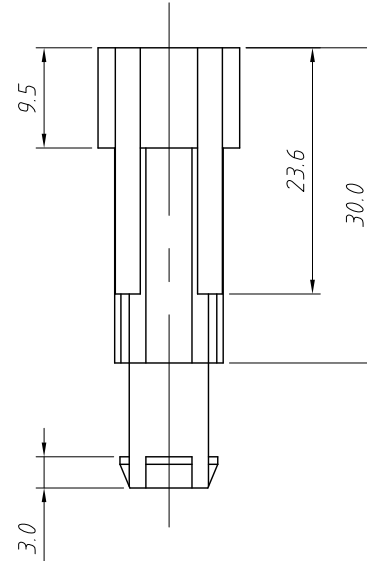
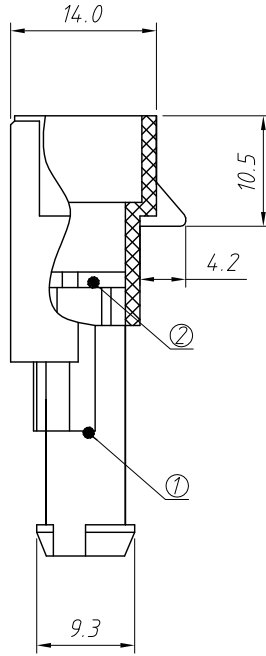
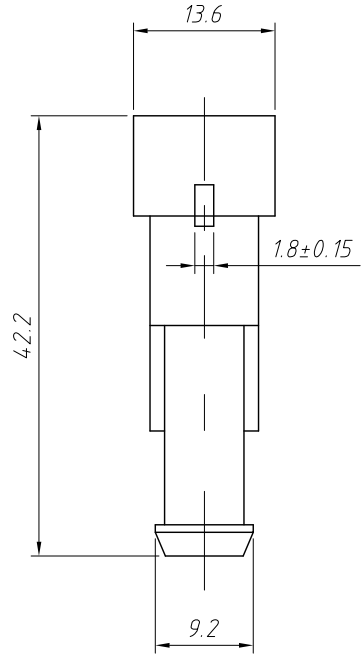
Note:The mating terminal is:L-KLS13-CAT026-1.5×0.8A

ANGLE TOLERANCE	PROJECTION	Description:	
±3°		1P Female Housing Connector	
GENERAL TOLERANCE	UNITS	mm	KLS P/N:
x.x ±0.30	SHEET SIZE	A4	L-KLS13-CA043-1.5-01-FH-B
x.xx ±0.20	Draw:	Daniel	2018-07-10
x.xxx ±0.10	Check:	Daniel	2018-07-10



NingBo KLS ELECTRONIC CO.,L TD.

1
RoHS Compliance



Material:

1.Housing:PA66,Black,UL94V-0

2.Lock:PA66+GF,RED

Note:

1.Parts shall not have any flash or injection defects that may affect the using, no obvious solution mark etc

2.The mating terminal is:L-KLS13-CAT024-1.5×0.8A

3."◆" Special Characteristics

4.NO. TOLERANCES GB/T14486-2008-MT6

ANGLE TOLERANCE	PROJECTION	Description:	1P Male Housing	
$\pm 3^\circ$				
GENERAL TOLERANCE	UNITS	mm	KLS P/N:	L-KLS13-CA043-1.5-01-MH-B
x.x ± 0.30	SHEET SIZE	A4		
x.xx ± 0.20	Draw:	Daniel	2018-07-10	NingBo KLS ELECTRONIC CO.,L TD.
x.xxx ± 0.10	Check:	Daniel	2018-07-10	

1
RoHS Compliance

2

3

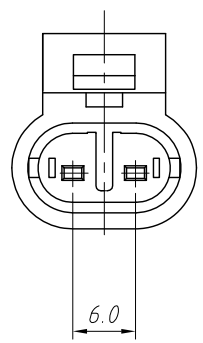
4

5

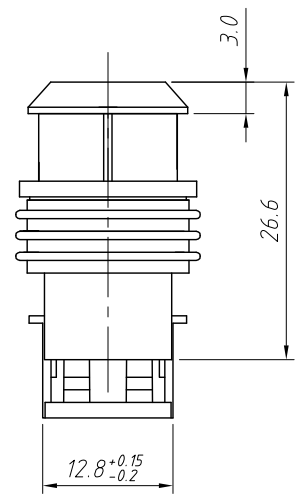
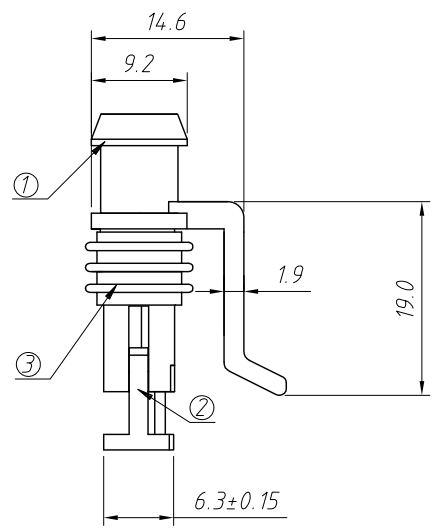
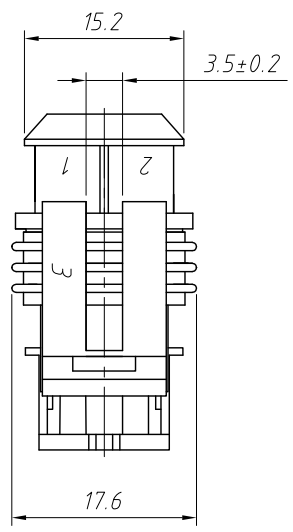
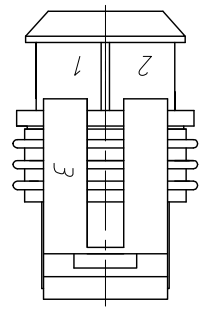
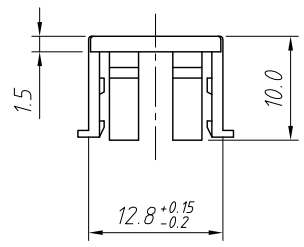
6

7

8

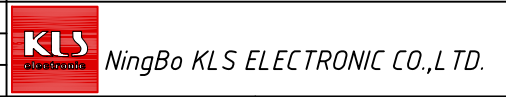


Parts Details:



Material:
 1.Housing:PA66,Black,UL 94 V-0
 2.Lock:PA66+GF,Red
 3.Wire Seal:Silicone Rubber, Yellow
 Note:The mating terminal is:L-KLS13-CAT026-1.5×0.8A

ANGLE TOLERANCE	PROJECTION	Description:	
±3°		2P Female Housing Connector	
GENERAL TOLERANCE	UNITS	mm	KLS P/N:
x.x ±0.30	SHEET SIZE	A4	L-KLS13-CA043-1.5-02-FH-B
x.xx ±0.20	Draw:	Daniel	2018-07-10
x.xxx ±0.10	Check:	Daniel	2018-07-10

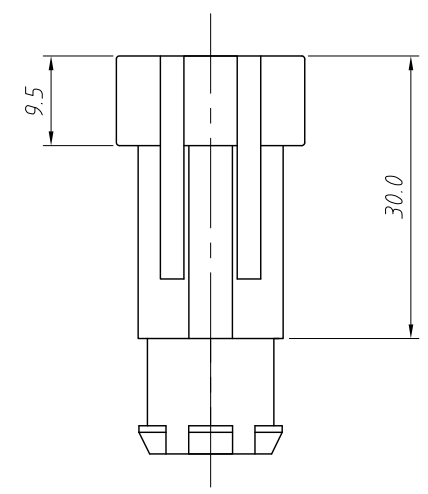
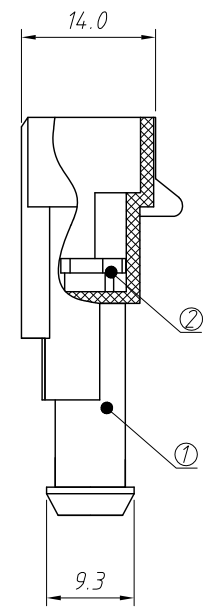
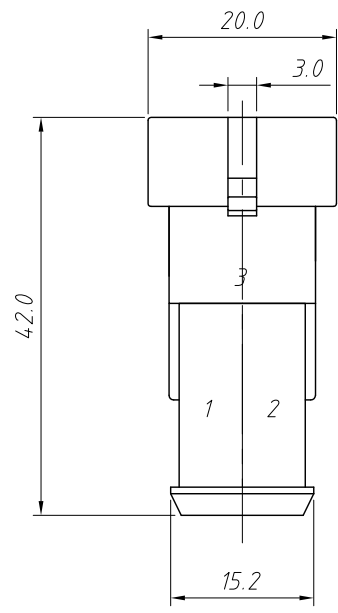


A
B
C
D
E
F
G
H

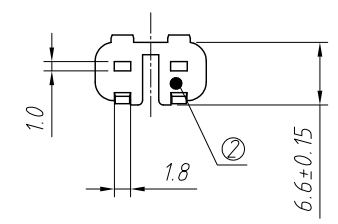
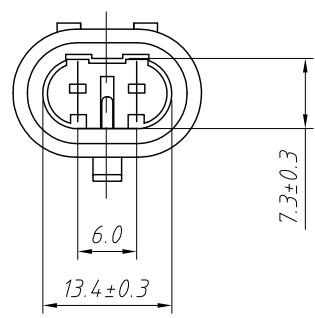
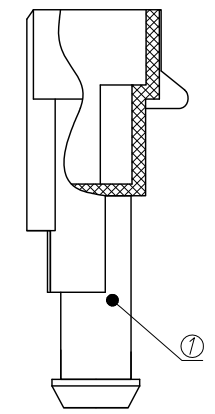
A
B
C
D
E
F
G
H

1 2 3 4 5 6 7 8

1
RoHS Compliance



Parts Details:



Note:
 1.Parts shall not have any flash or injection defects that may affect the using, no obvious solution mark etc
 2.The mating terminal is:L-KLS13-CAT024-1.5×0.8A
 3."◆" Special Characteristics
 4.NO.TOLERANCES GB/T14486-2008-MT6

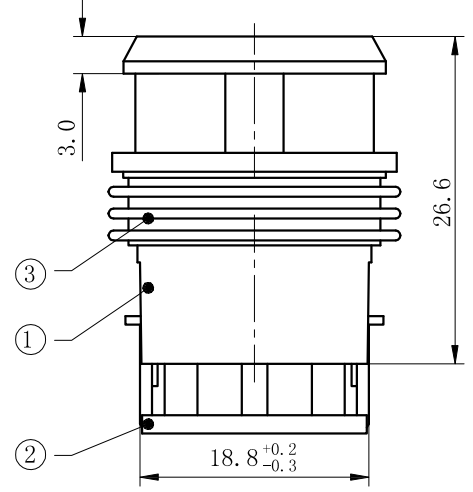
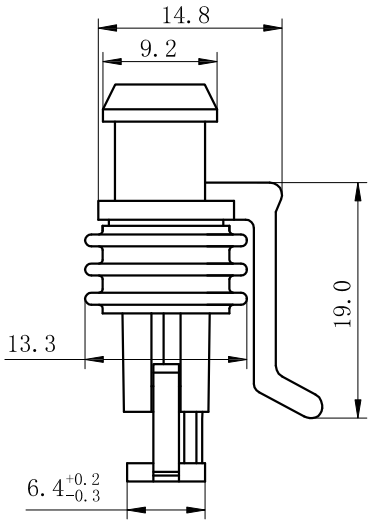
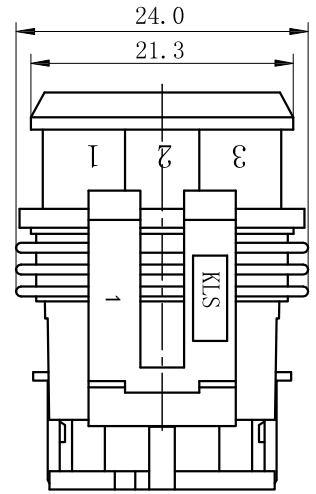
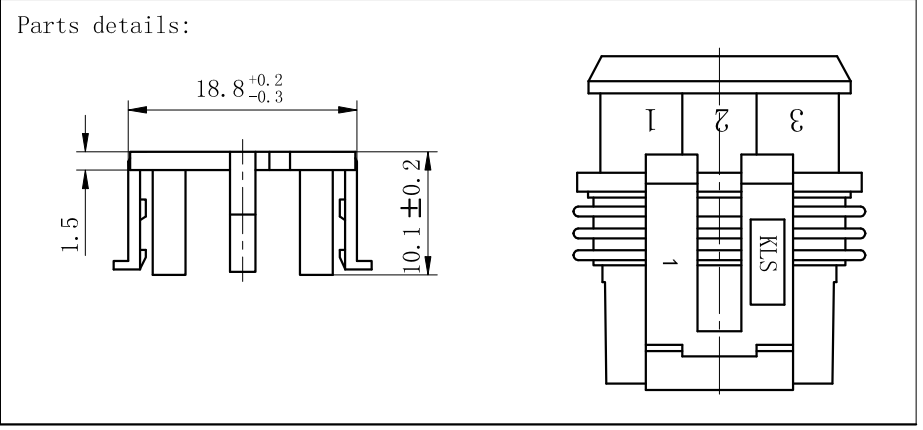
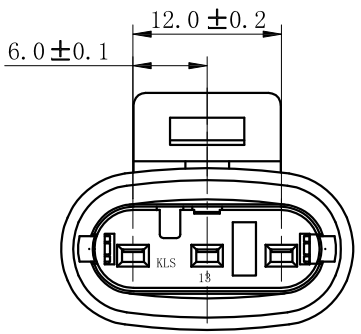
Material:
 1.Housing:PA66,Black,UL94V-0
 2.Lock:PA66+GF,RED

ANGLE TOLERANCE	PROJECTION	Description:	
±3°		2P Male Housing	
GENERAL TOLERANCE	UNITS	mm	KLS P/N:
x.x ±0.30	SHEET SIZE	A4	L-KLS13-CA043-1.5-02-MH-B
x.xx ±0.20	Draw:	Daniel	2018-07-10
x.xxx ±0.10	Check:	Daniel	2018-07-10



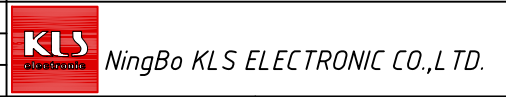
NingBo KLS ELECTRONIC CO.,LTD.

1
RoHS Compliance

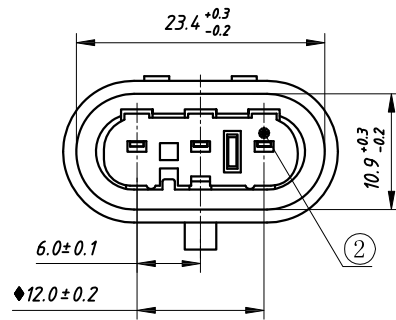
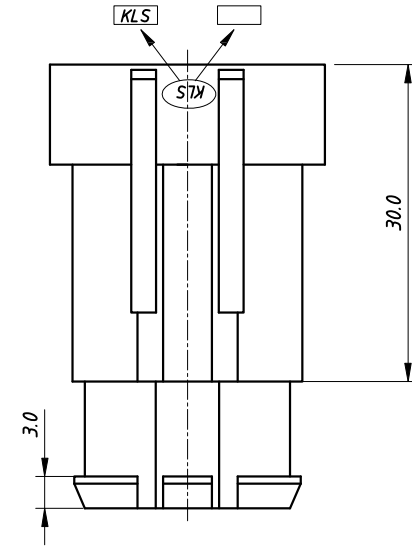
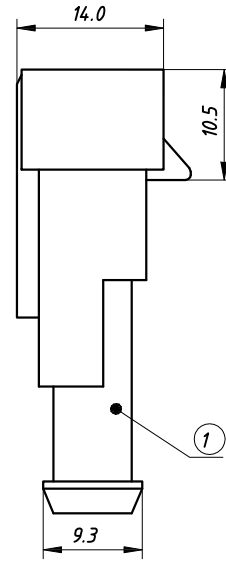
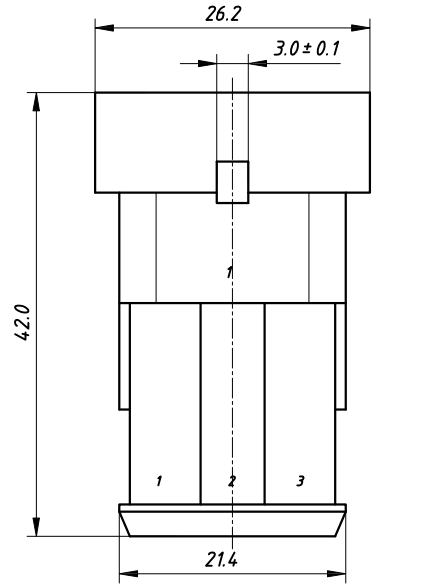


Material:
 1.Housing:PA66,Black,UL 94 V-0
 2.TPA:PA66+GF,Red
 3.Wire Seal:Silicone Rubber, Yellow
 Note:The mating terminal is:L-KLS13-CAT026-1.5X0.8-P

ANGLE TOLERANCE	PROJECTION	Description:	
±3°		3Hole Connector	
GENERAL TOLERANCE	UNITS	mm	KLS P/N:
x.x ±0.30	SHEET SIZE	A4	L-KLS13-CA043-1.5-03-FH-B
x.xx ±0.20	Draw:	Daniel	2018-07-10
x.xxx ±0.10	Check:	Daniel	2018-07-10



1
RoHS Compliance



Note:

- 1.Parts shall not have any flash or injection defects that may affect the using, no obvious solution mark etc
- 2.The mating terminal is:L-KLS13-CAT024-1.5X0.8
- 3."◆" Special Characteristics
- 4.NO. TOLERANCES GB/T14486-2008-MT6

Material:

1.Housing:PA66,Black,UL94V-0

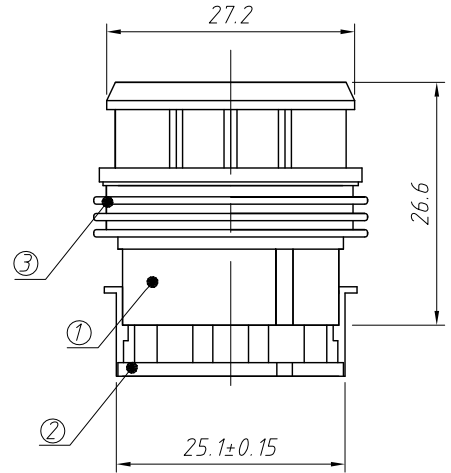
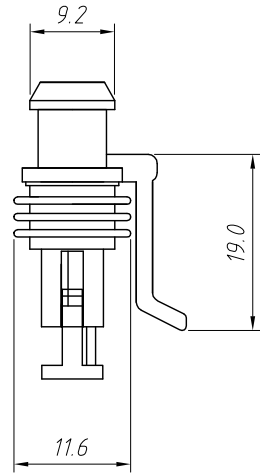
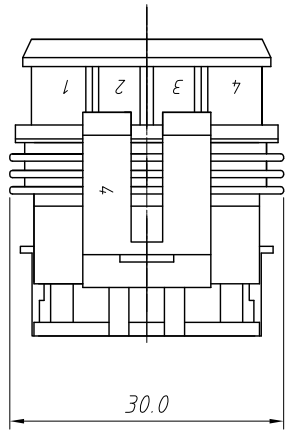
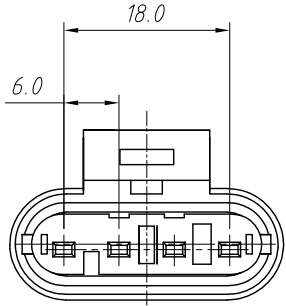
2.Lock:PA66+GF,RED

ANGLE TOLERANCE	PROJECTION	Description:	
±3°		3Holes Housing	
GENERAL TOLERANCE	UNITS	mm	KLS P/N:
x.x ±0.30	SHEET SIZE	A4	L-KLS13-CA043-1.5-03-MH-B
x.xx ±0.20	Draw:	Daniel	2018-07-10
x.xxx ±0.10	Check:	Daniel	2018-07-10



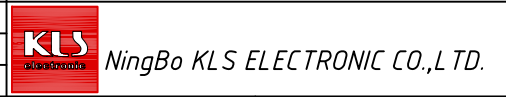
NingBo KLS ELECTRONIC CO.,LTD.

1
RoHS Compliance

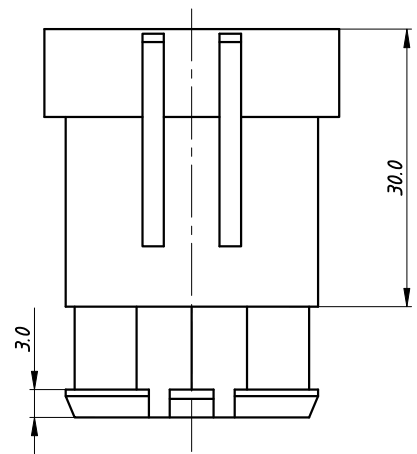
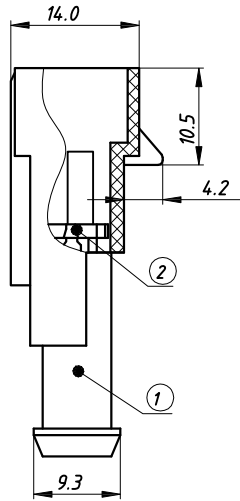
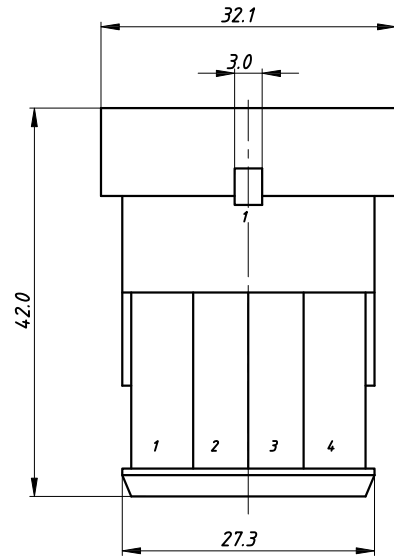


Material:
 1.Housing:PA66,Black,UL 94V-0
 2.Lock:PA66+GF,Red
 3.Wire Seal:Silicone Rubber, Yellow
 Note:The mating terminal is:L-KLS13-CAT026-1.5×0.8A

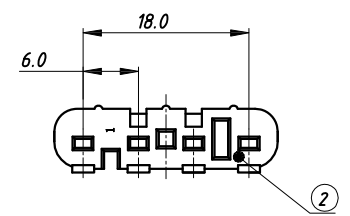
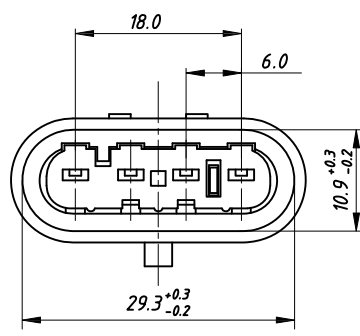
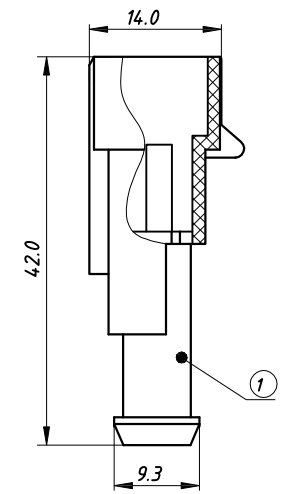
ANGLE TOLERANCE	PROJECTION	Description:	
±3°		4P Female Housing Connector	
GENERAL TOLERANCE	UNITS	mm	KLS P/N:
x.x ±0.30	SHEET SIZE	A4	L-KLS13-CA043-1.5-04-FH-B
x.xx ±0.20	Draw:	Daniel	2018-07-10
x.xxx ±0.10	Check:	Daniel	2018-07-10



1 RoHS Compliance



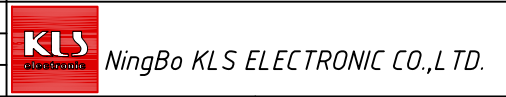
The clip does not fit the picture



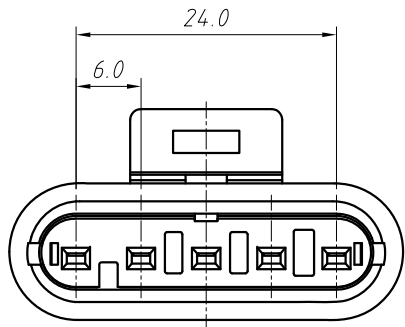
Material:
 1.Housing:PA66,Black,UL94V-0
 2.Lock:PA66+GF,RED

- Note:
- 1.Parts shall not have any flash or injection defects that may affect the using, no obvious solution mark etc
 - 2.The mating terminal is:L-KLS13-CAT024-1.5x0.8
 - 3."◆" Special Characteristics
 - 4.NO. TOLERANCES GB/T14486-2008-MT6

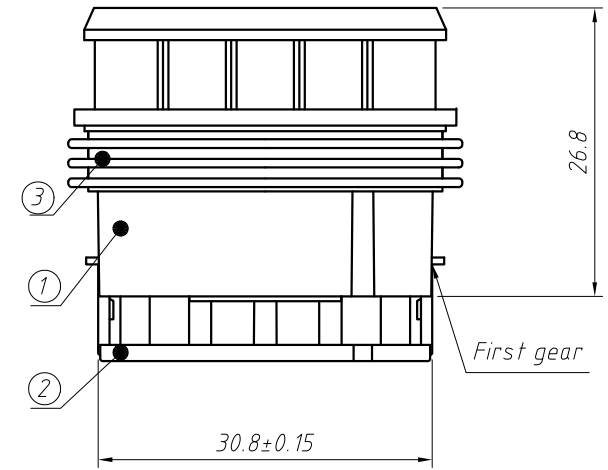
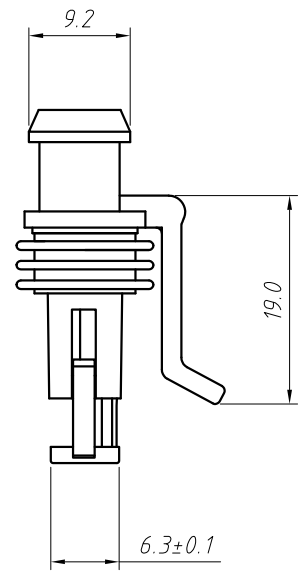
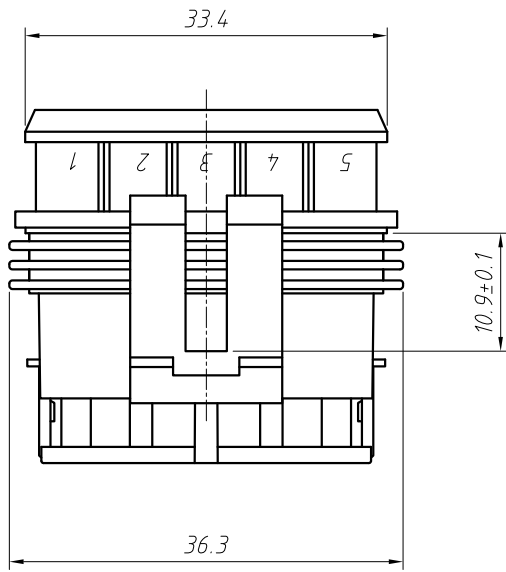
ANGLE TOLERANCE	PROJECTION	Description:	
±3°		4Holes Male Housing	
GENERAL TOLERANCE	UNITS	mm	KLS P/N:
x.x ±0.30	SHEET SIZE	A4	L-KLS13-CA043-1.5-04-MH-B
x.xx ±0.20	Draw:	Daniel	2018-07-10
x.xxx ±0.10	Check:	Daniel	2018-07-10



1
RoHS Compliance



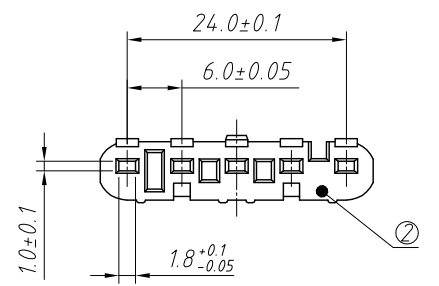
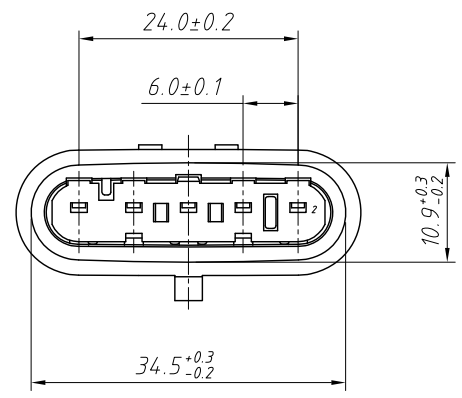
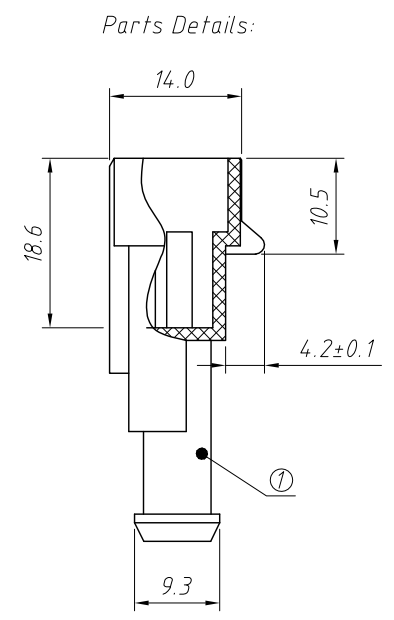
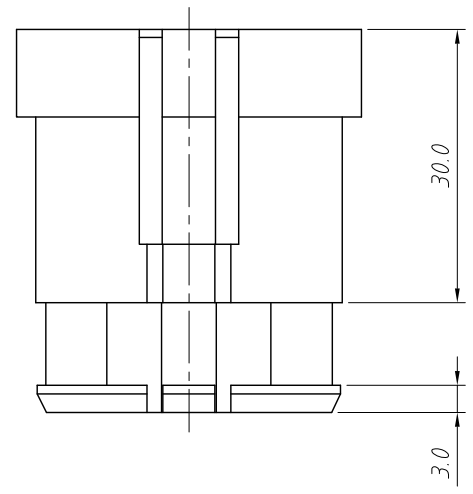
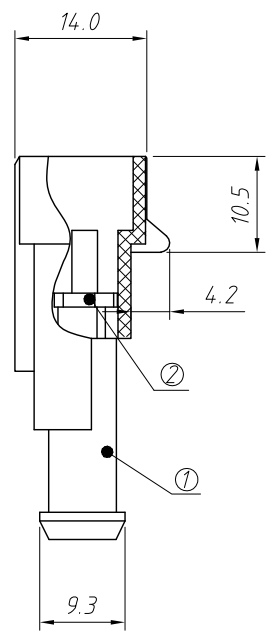
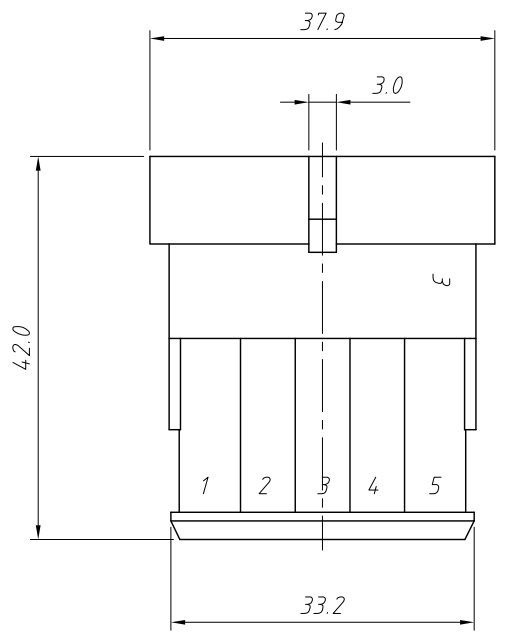
Material:
 1.Housing:PA66,Black,UL 94 V-0
 2.Lock:PA66+GF,Red
 3.Wire Seal:Silicone Rubber, Yellow
 Note:The mating terminal is:L-KLS13-CAT026-1.5X0.8-P



ANGLE TOLERANCE	PROJECTION	Description:	
±3°		5Hole Connector	
GENERAL TOLERANCE	UNITS	mm	KLS P/N:
x.x ±0.30	SHEET SIZE	A4	L-KLS13-CA043-1.5-05-FH-B
x.xx ±0.20	Draw:	Daniel	2018-07-10
x.xxx ±0.10	Check:	Daniel	2018-07-10



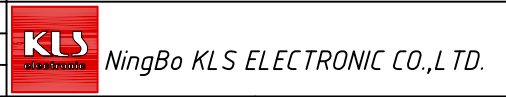
1
RoHS Compliance



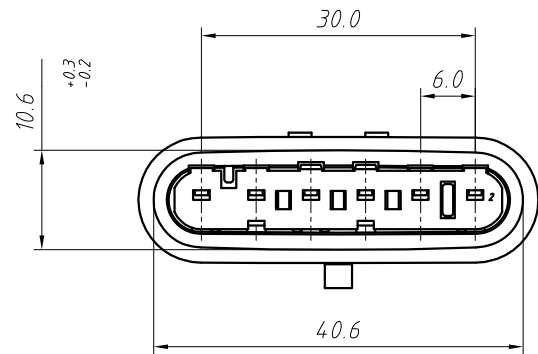
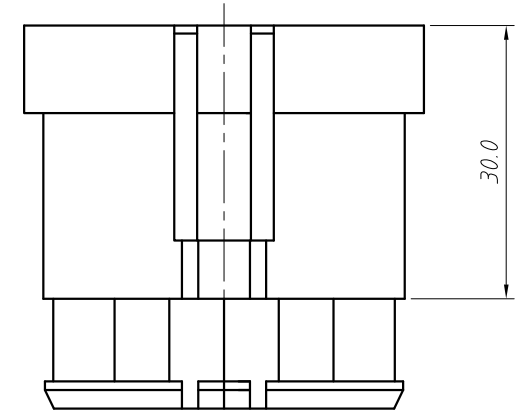
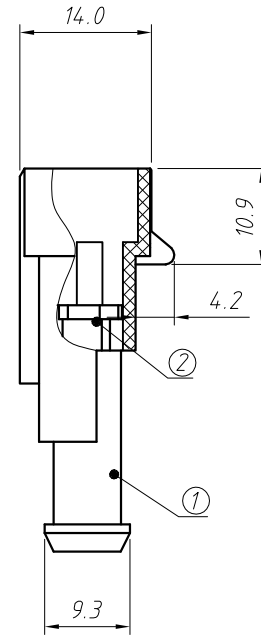
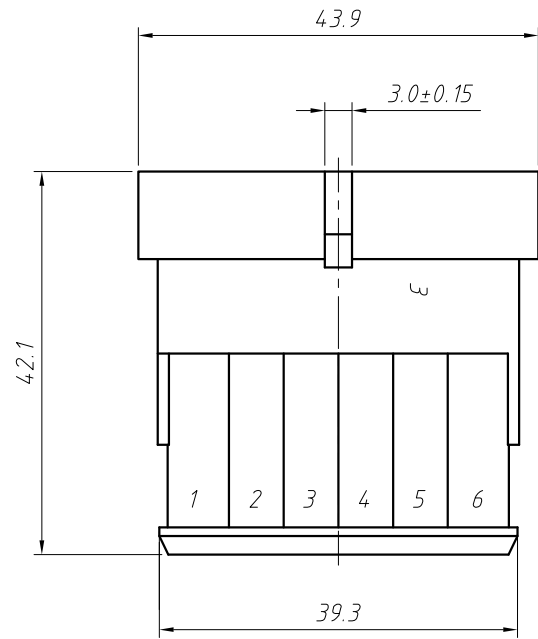
Note:
 1.Parts shall not have any flash or injection defects that may affect the using, no obvious solution mark etc
 2.The mating terminal is:L-KLS13-CAT024-1.5x0.8A
 3."◆" Special Characteristics
 4.NO.TOLERANCES GB/T14486-2008-MT6

Material:
 1.Housing:PA66,Black,UL 94V-0
 2.Lock:PA66+GF,RED

ANGLE TOLERANCE	PROJECTION	Description:	
±3°		5P Male Housing	
GENERAL TOLERANCE	UNITS	mm	KLS P/N:
x.x ±0.30	SHEET SIZE	A4	L-KLS13-CA043-1.5-05-MH-B
x.xx ±0.20	Draw:	Daniel	2018-07-10
x.xxx ±0.10	Check:	Daniel	2018-07-10

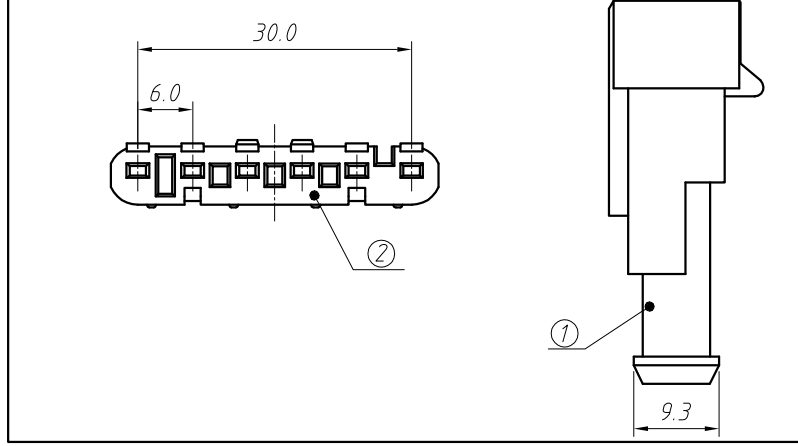


1 RoHS Compliance



Material:
 1.Housing:PA66,Black,UL 94 V-0
 2.Lock:PA66+GF,RED

Parts details:



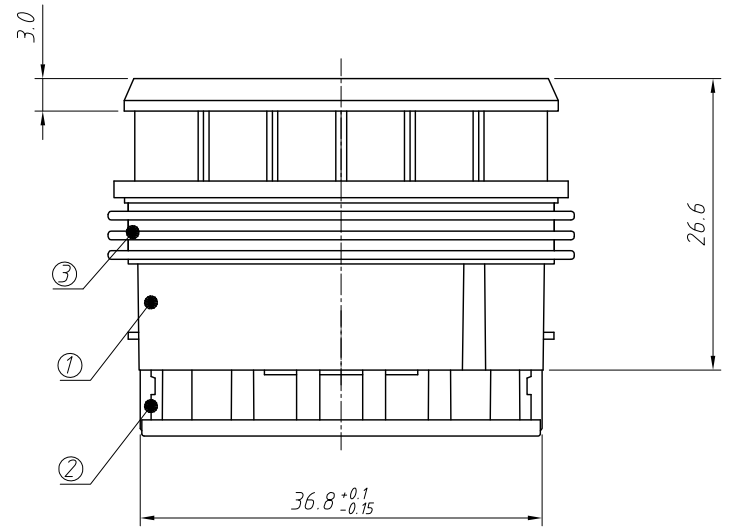
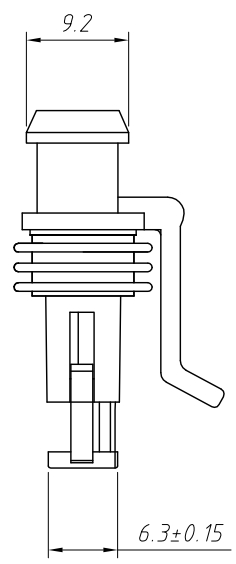
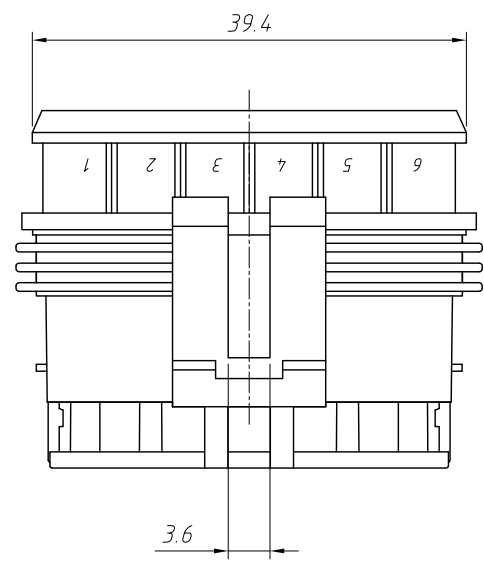
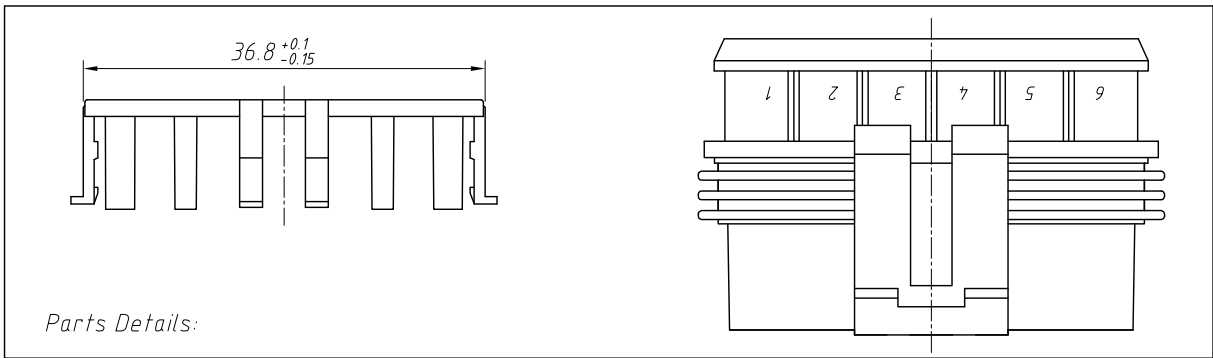
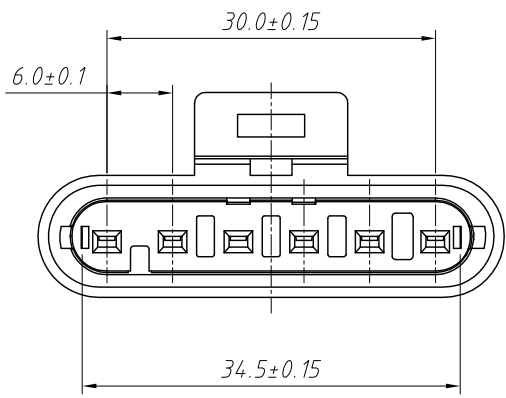
- Note:
- 1.Parts shall not have any flash or injection defects that may affect the using, no obvious solution mark etc
 - 2.The mating terminal is:L-KLS13-CAT024-1.5×0.8
 - 3."◆" Special Characteristics
 - 4.NO. TOLERANCES GB/T14486-2008-MT6

ANGLE TOLERANCE	PROJECTION	Description:	
±3°		6Holes Male Housing	
GENERAL TOLERANCE	UNITS	mm	KLS P/N:
x.x ±0.30	SHEET SIZE	A4	L-KLS13-CA043-1.5-06-MH-B
x.xx ±0.20	Draw:	Daniel	2018-07-10
x.xxx ±0.10	Check:	Daniel	2018-07-10



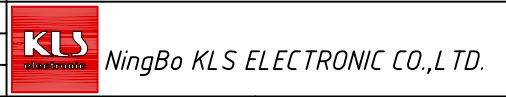
NingBo KLS ELECTRONIC CO.,L TD.

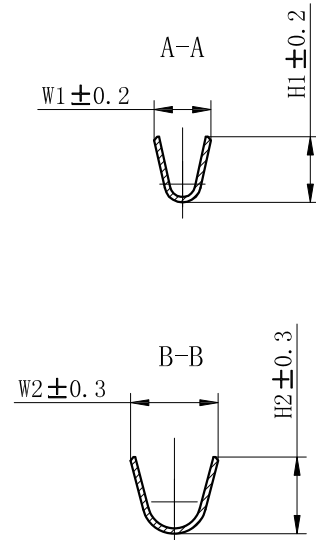
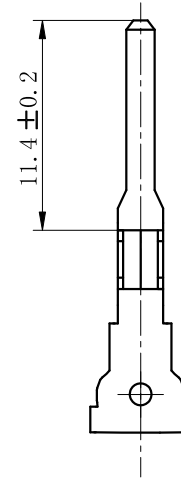
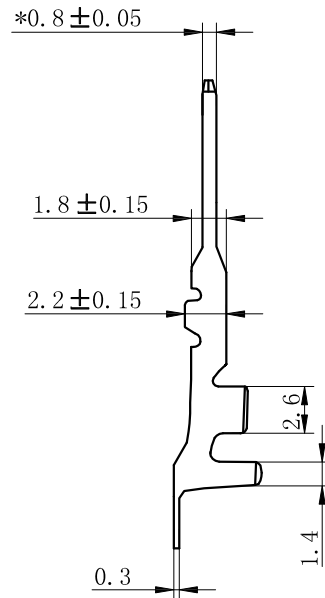
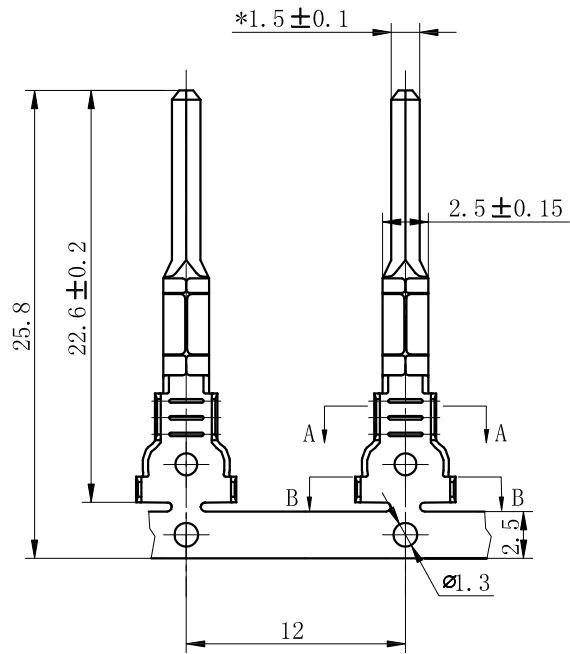
1
RoHS Compliance



Material:
 1.Housing:PA66,Black,UL 94 V-0
 2.TPA:PA66+GF,Red
 3.Wire Seal:Silicone Rubber, Yellow
 Note:The mating terminal is:L-KLS13-CAT026-1.5×0.8A

ANGLE TOLERANCE	PROJECTION	Description:	
±3°		6P Female Housing Connector	
GENERAL TOLERANCE	UNITS	mm	KLS P/N:
x.x ±0.30	SHEET SIZE	A4	L-KLS13-CA043-1.5-06-FH-B
x.xx ±0.20	Draw:	Daniel	2018-07-10
x.xxx ±0.10	Check:	Daniel	2018-07-10



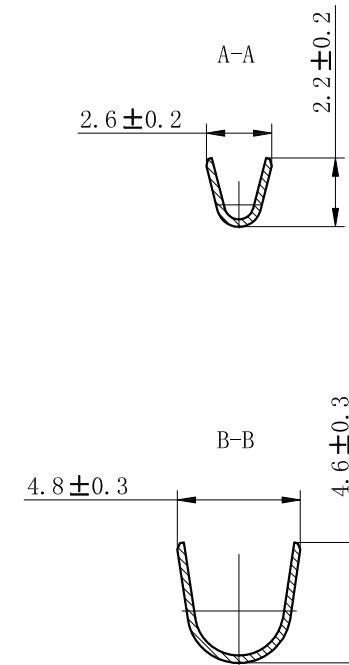
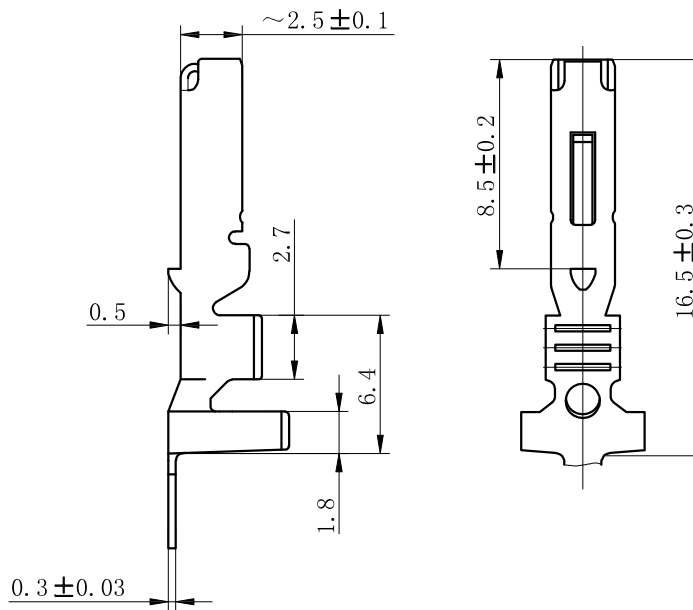
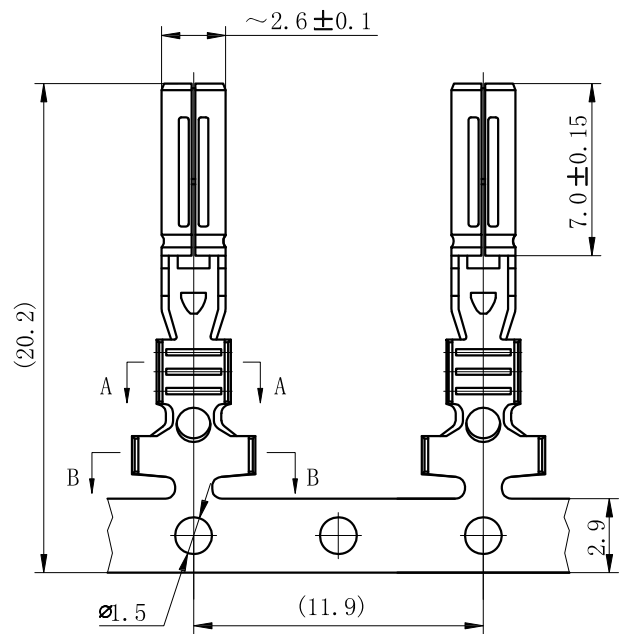


Material:
Terminal: Brass T0.3
Surface Treatment: Plating thickness 2~5μm

- Notes:
1. Surface of products are not allowed to have obviously scratch, deformation, etc
 2. Tin Plating thickness 2~5μm
 3. "◆" Special Characteristics
 4. No Tolerances GB/T15055-2007-m

③	1.5X0.8B	3.4	5.2	3.0	4.7	1.0-1.5
②	1.5X0.8A	3.0	5.2	2.5	4.7	0.5-1.0
①	1.5X0.8S	2.1	5.2	2.2	4.7	0.3-0.5
序号 NO.	产品型号 PART NO.	W1	W2	H1	H2	通 导线 (mm) Wire Range (mm ²)

GENERAL TOLERANCE	PROJECTION		Description:
X. ±0.50	UNITS	mm	12mm Pitch 1.5x0.8 Male Terminal; Tin plated,RELL
.X ±0.25	SCALE	1:1	
.XX ±0.10	Draw by:	Jenny	
ANGLE TOLERANCE	Check by:		KLS P/N: L-KLS13-CAT024-1.5x0.8A
X. ±5°	Date	2018-03-01	NingBo KLS ELECTRONIC CO.,L TD.
.X ±3°	SHEET	1 OF 1	
.XX ±2°			



Material:

Terminal: Brass T0.3

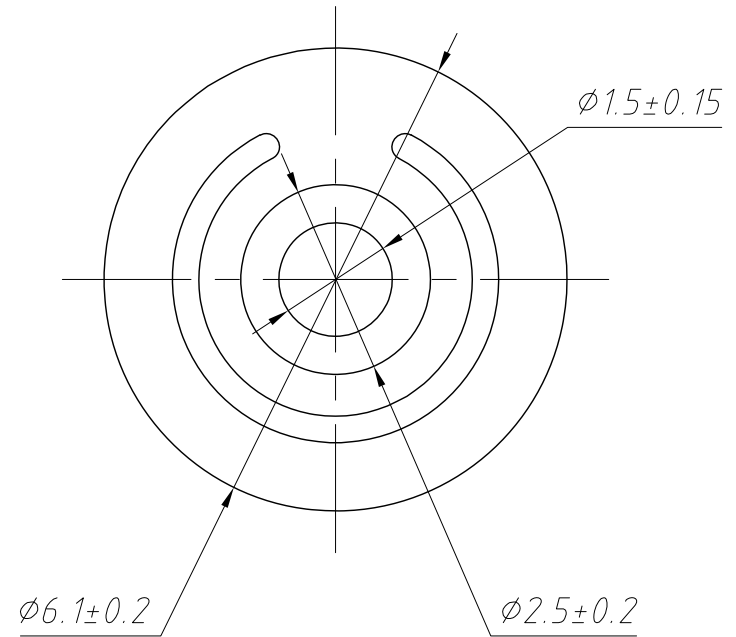
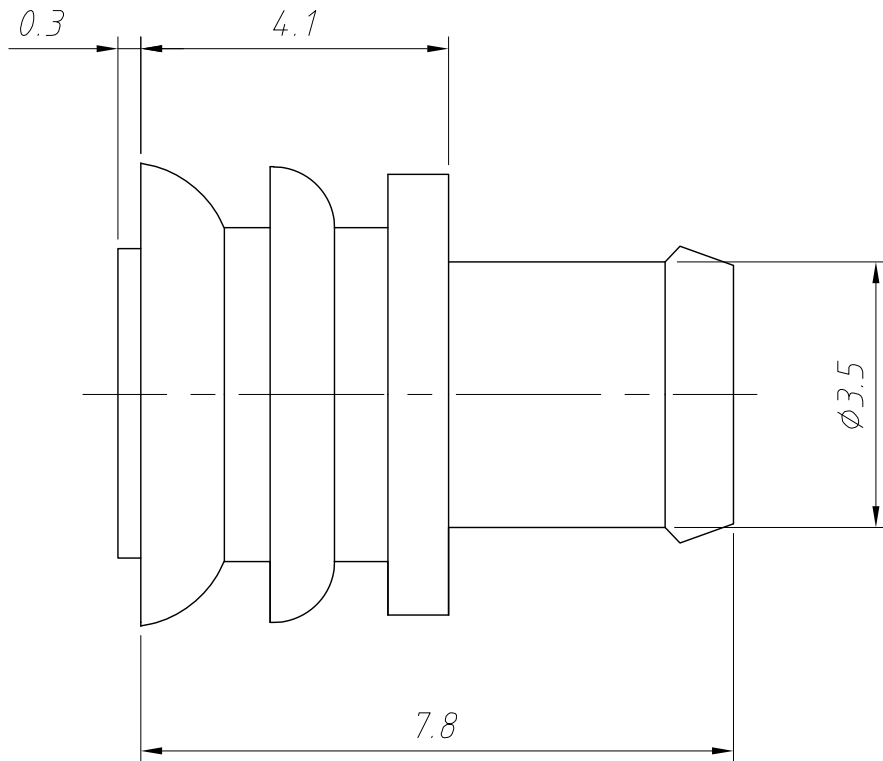
Surface Treatment: Plating thickness 2~5 μ m

Notes:

1. Surface of products are not allowed to have obviously scratch, deformation, etc
2. Tin Plating thickness 2~5 μ m
3. Wire range: 0.35-0.5mm²
4. "◆" is an important feature, "★" is a key feature
5. No Tolerances GB/T15055-2007-m

GENERAL TOLERANCE	PROJECTION		Description:
X. ±0.50	UNITS	mm	1.5x0.8 Female Terminal; Tin plated,RELL
.X ±0.25	SCALE	1:1	
.XX ±0.10	Draw by:	Jenny	
ANGLE TOLERANCE	Check by:		KLS P/N: L-KLS13-CAT026-1.5x0.8A
X. ±5°	Date	2018-03-01	NingBo KLS ELECTRONIC CO.,L TD.
.X ±3°	SHEET	1 OF 1	
.XX ±2°			

1
RoHS Compliance



Material:

1.Housing:PA66,Black,UL 94V-0

2.Lock:PA66+GF,Red

3.Wire Seal:Silicone Rubber, Yellow

Note:The mating terminal is:L-KLS13-CAT026-1.5×0.8A

ANGLE TOLERANCE	PROJECTION	Description:		
$\pm 3^\circ$		6.1×7.8×1.4mm Wire Seal, Yellow		
GENERAL TOLERANCE	UNITS	mm	KLS P/N: L-KLS13-WS047	
x.x ± 0.30	SHEET SIZE	A4	NingBo KLS ELECTRONIC CO.,LTD.	
x.xx ± 0.20	Draw:	Daniel		2018-07-10
x.xxx ± 0.10	Check:	Daniel		2018-07-10