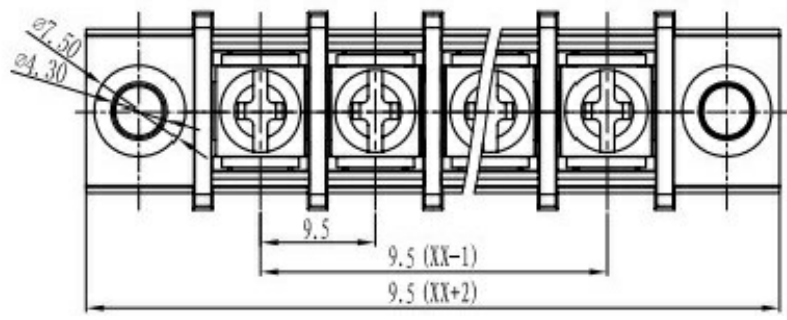


Section A-A

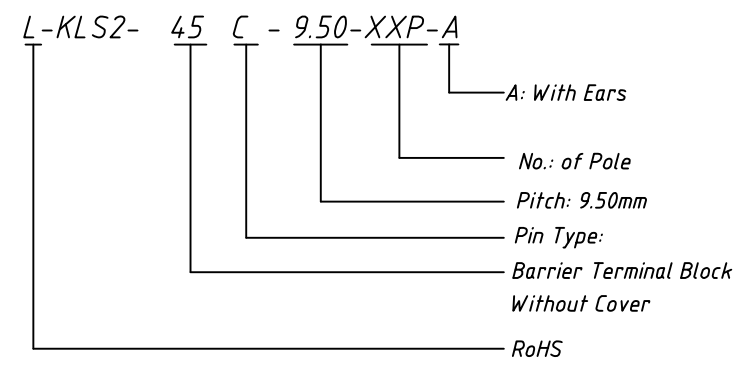


Material
 Screw: M4.0, Steel, Ni Plated
 Pin header: Brass, 0.8t, Tin Plated
 Housing: PA66, UL94V-0, Black

Electrical
 Rated voltage: 300V
 Rated current: 20A
 Wire range: 22~12AWG 4.0mm²
 Contact Resistance: 20 mΩ
 Insulation resistance: 500MΩ/DC500V
 Withstand voltage: AC2000V / 1 min

Mechanical
 Temp. Range: -40 °C ~ +105 °C
 Torque: 1.2Nm (10.6Lb.in)

Order Information



GENERAL TOLERANCE		ANGLE TOLERANCE		PROJECTION	Description:
X	±0.60	X	±5°	UNITS	Barrier TERM BLOCK 9.50MM
.X	±0.38	.X	±3°	SHEET SIZE	
.XX	±0.25	.XX	±2°	KLS P/N:	

Draw by: Date	2018-02-26
Check by: Date	2018-02-26
SCALE	SHEET OF

KLS NingBo KLS ELECTRONIC CO.,LTD.