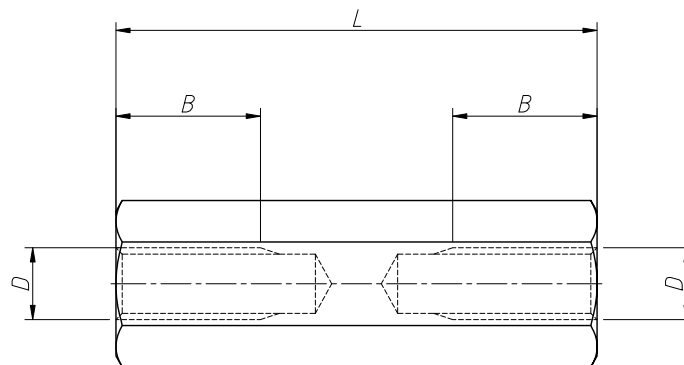
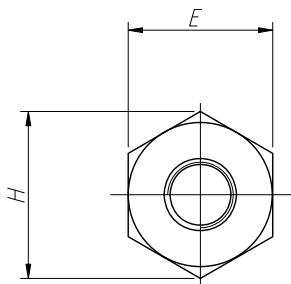


1
RoHS Compliance

| | | | | |
|-----|----------|---------------------|-------|------------|
| REV | SYM | Revision Record | Appr. | Date |
| V0 | KLS08063 | New Version Release | Song | 2024-05-27 |



Order Information:

L-KLS8-DBK-M2-EX-LX+B-(A)

L: RoHS
 Series NO.
 Screw D: M2, M2.5
 M3, M4, M5, M6
 Size E: Standard: 3.0 ~ 8.0
 Unstandard: 4.0 ~ 10.0
 Length: 5-60mm
 Thread Length: Standard: 6.0mm
 Unstandard: customized
 Plated Code:
 Blank: No Plated A: Ni Plated

| ITEM | D | E(standard) | E(Unstandard) | H(standard) | L | B | Plated:-(A) |
|-----------------------------|------|-------------|---------------|-------------|--------|--|------------------|
| L-KLS8-DBK-M2-EX-LX-(A) | M2 | E3.0 | E4.0 | 3.4 | 5-60mm | 5-20 allows for penetration, 21-60:6mm | Blank: No Plated |
| L-KLS8-DBK-M2-EX-LX+B-(A) | M2 | E3.0 | E4.0 | 3.4 | 5-60mm | According to customer requirements | |
| L-KLS8-DBK-M2.5-EX-LX-(A) | M2.5 | E4.7 | E5.0/E6.0 | 5.3 | 5-60mm | 5-20 allows for penetration, 21-60:6mm | |
| L-KLS8-DBK-M2.5-EX-LX+B-(A) | M2.5 | E4.7 | E5.0/E6.0 | 5.3 | 5-60mm | According to customer requirements | |
| L-KLS8-DBK-M3-EX-LX-(A) | M3 | E4.7 | E5.0 | 5.3 | 5-60mm | 5-20 allows for penetration, 21-60:6mm | |
| L-KLS8-DBK-M3-EX-LX+B-(A) | M3 | E4.7 | E5.0 | 5.3 | 5-60mm | According to customer requirements | |
| L-KLS8-DBK-M4-EX-LX-(A) | M4 | E5.5/E6.0 | E7.0 | 6.2/6.8 | 5-60mm | 5-20 allows for penetration, 21-60:6mm | -A: Ni Plated |
| L-KLS8-DBK-M4-EX-LX+B-(A) | M4 | E5.5/E6.0 | E7.0 | 6.2/6.8 | 5-60mm | According to customer requirements | |
| L-KLS8-DBK-M5-EX-LX-(A) | M5 | E7.0 | E8.0 | 7.9 | 5-60mm | 5-20 allows for penetration, 21-60:6mm | |
| L-KLS8-DBK-M5-EX-LX+B-(A) | M5 | E7.0 | E8.0 | 7.9 | 5-60mm | According to customer requirements | |
| L-KLS8-DBK-M6-EX-LX-(A) | M6 | E8.0 | E10.0 | 9.0 | 5-60mm | 5-20 allows for penetration, 21-60:6mm | |
| L-KLS8-DBK-M6-EX-LX+B-(A) | M6 | E8.0 | E10.0 | 9.0 | 5-60mm | According to customer requirements | |

Notes:

- Materials: Brass H59,
No Plated Or Ni Plated
- All Unmarked Chamfers are C0.2 Max
- All Unmarked Tolerances are GB/T1804-m

| | | | | | |
|-------------------|------------|--------------|------------------------|---------------------------------|------------|
| ANGLE TOLERANCE | PROJECTION | Description: | Brass Hexagonal Spacer | | |
| ±3° | | | | | |
| GENERAL TOLERANCE | UNITS | mm | KLS P/N: | L-KLS8-DBK | |
| .x ±0.30 | SHEET SIZE | A4 | | NingBo KLS ELECTRONIC CO.,L TD. | |
| .xx ±0.20 | Draw: | Song | | | 2024-05-27 |
| .xxx ±0.10 | Check: | Daniel | | | 2024-05-27 |