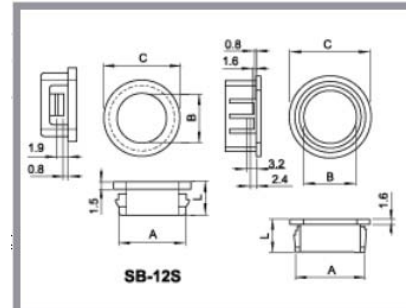


Snap Bushing KLS8-0508



Product Information

- **Snap Bushing**
- Material : UL Approved Nylon6/6, 94V-2
- Color : Black
- Easy installation, no tools required.
- Protects against rough panel hole edges.

Item No.	Mounting Hole A	B	C	L
SB-8S	7.8	6.8	9.8	6.0
SB-8	7.8	5.8	9.4	8.0
SB-10	9.5	6.3	12.0	10.3
SB-12S	11.9	9.2	13.7	6.3
SB-13	12.7	8.0	14.2	10.3
SB-16	15.9	12.7	18.6	10.3
SB-19	19.0	14.3	21.7	10.5
SB-22	22.2	17.5	24.2	11.5
SB-26	25.5	19.1	28.5	11.5
SB-30	30.0	24.1	33.3	11.5
SB-38	38.1	29.0	41.2	11.4
SB-45	43.6	35.4	47.8	11.6

Part No.	Description
KLS8-0508-SB-10	Snap Bushing,Material:Nylon 66,UL94V-2,SB-10 Size Type.
KLS8-0508-SB-12S	Snap Bushing,Material:Nylon 66,UL94V-2,SB-12S Size Type.
KLS8-0508-SB-13	Snap Bushing,Material:Nylon 66,UL94V-2,SB-13 Size Type.
KLS8-0508-SB-16	Snap Bushing,Material:Nylon 66,UL94V-2,SB-16 Size Type.
KLS8-0508-SB-19	Snap Bushing,Material:Nylon 66,UL94V-2,SB-19 Size Type.
KLS8-0508-SB-22	Snap Bushing,Material:Nylon 66,UL94V-2,SB-22 Size Type.
KLS8-0508-SB-26	Snap Bushing,Material:Nylon 66,UL94V-2,SB-26 Size Type.
KLS8-0508-SB-30	Snap Bushing,Material:Nylon 66,UL94V-2,SB-30 Size Type.
KLS8-0508-SB-38	Snap Bushing,Material:Nylon 66,UL94V-2,SB-38 Size Type.
KLS8-0508-SB-45	Snap Bushing,Material:Nylon 66,UL94V-2,SB-45 Size Type.
KLS8-0508-SB-8	Snap Bushing,Material:Nylon 66,UL94V-2,SB-8 Size Type.
KLS8-0508-SB-8S	Snap Bushing,Material:Nylon 66,UL94V-2,SB-8S Size Type.