

PCB Support Series

KLS8-DBL Series

Specification parameters

Materials: Brass

Plating: according to customer requirements

Size:

D: M2.5; M3; M4; 4#40; 6#32

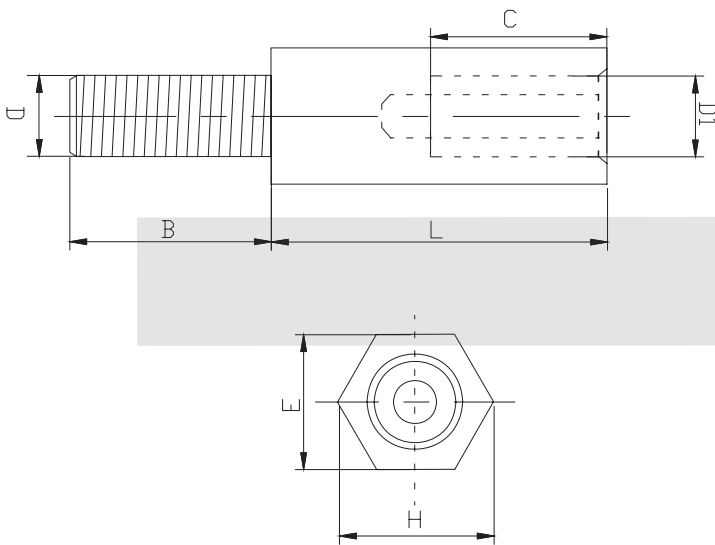
E: 5; 6

H:5.5; 7

L:According to customer requirements

B:According to customer requirements

C:According to customer requirements



| Type | D1 | E | C | L |
|---------------|------|-----------|---|---|
| KLS8-DBL-M2 | M2 | E4.0 | 3 | |
| KLS8-DBL-M2.5 | M2.5 | E4.7 | 6 | |
| KLS8-DBL-M3 | M3 | E4.7 | 6 | |
| KLS8-DBL-M4 | M4 | E5.5/E6.0 | 6 | |
| KLS8-DBL-M5 | M5 | E7.0 | 7 | |
| KLS8-DBL-M6 | M6 | E8.0 | 8 | |

customizable

ORDER INFORMATION

Product NO.: KLS8-DBL-M3-E5.0-L10

Pos. No. _____

Series No. _____

See drawings